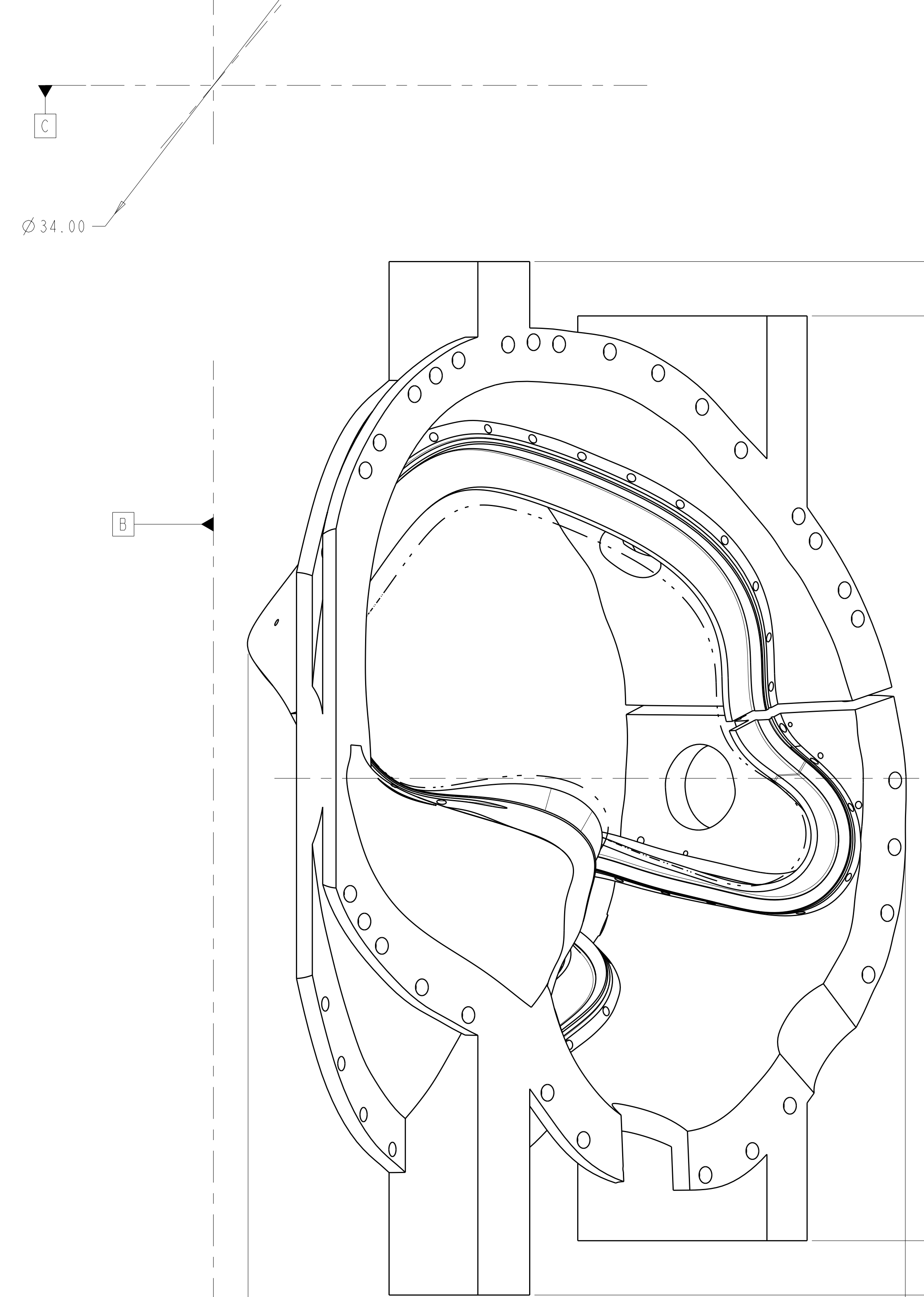
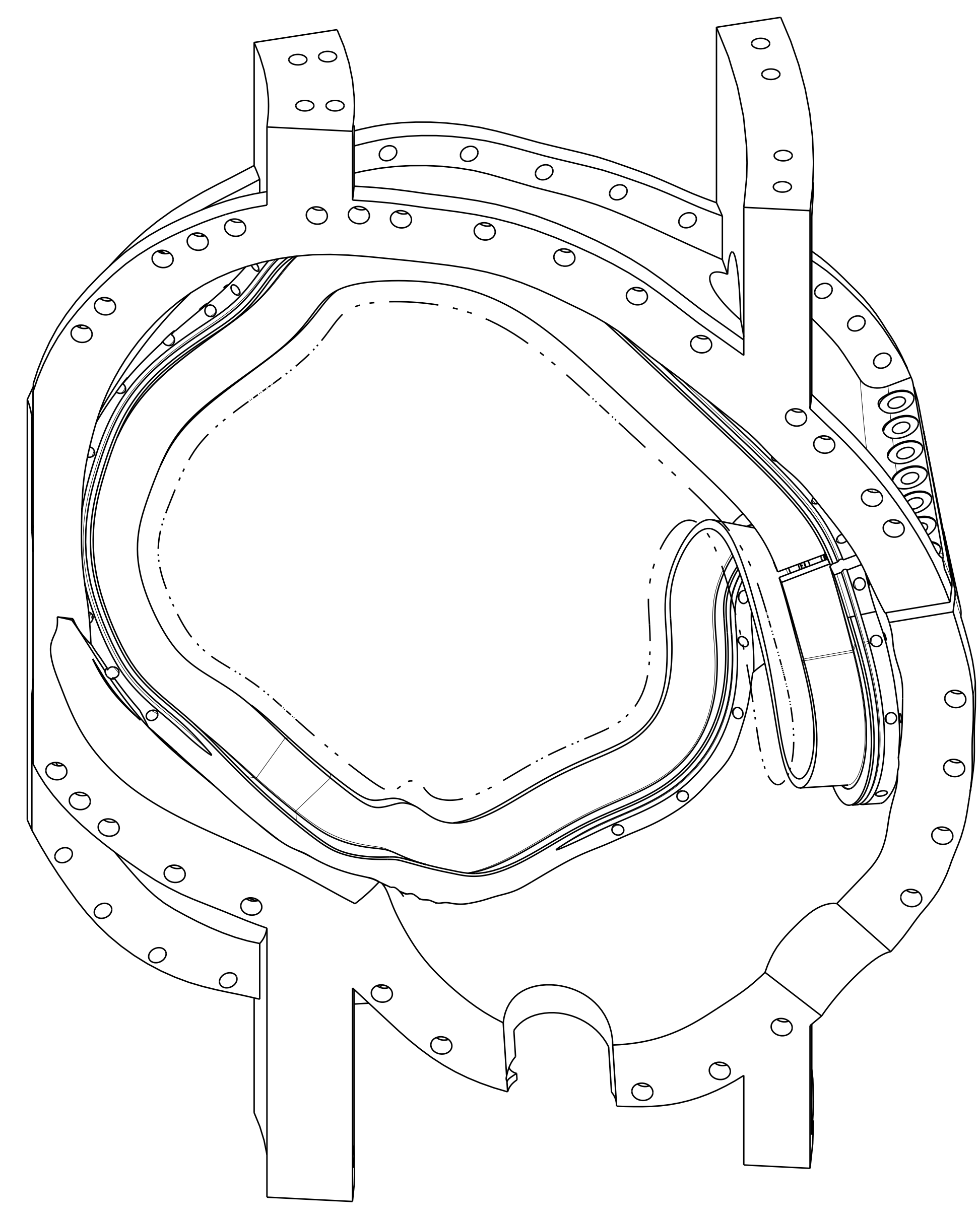
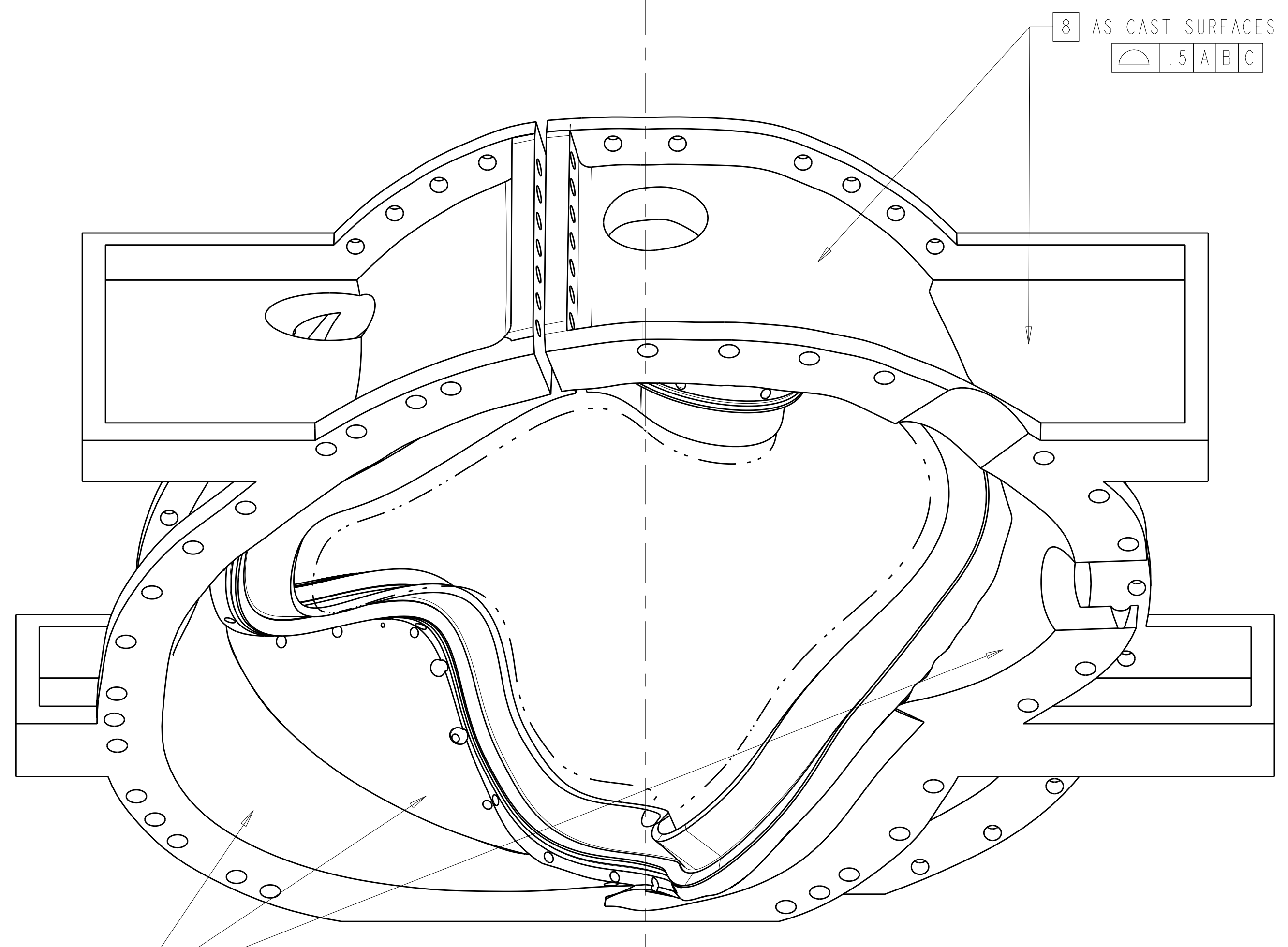
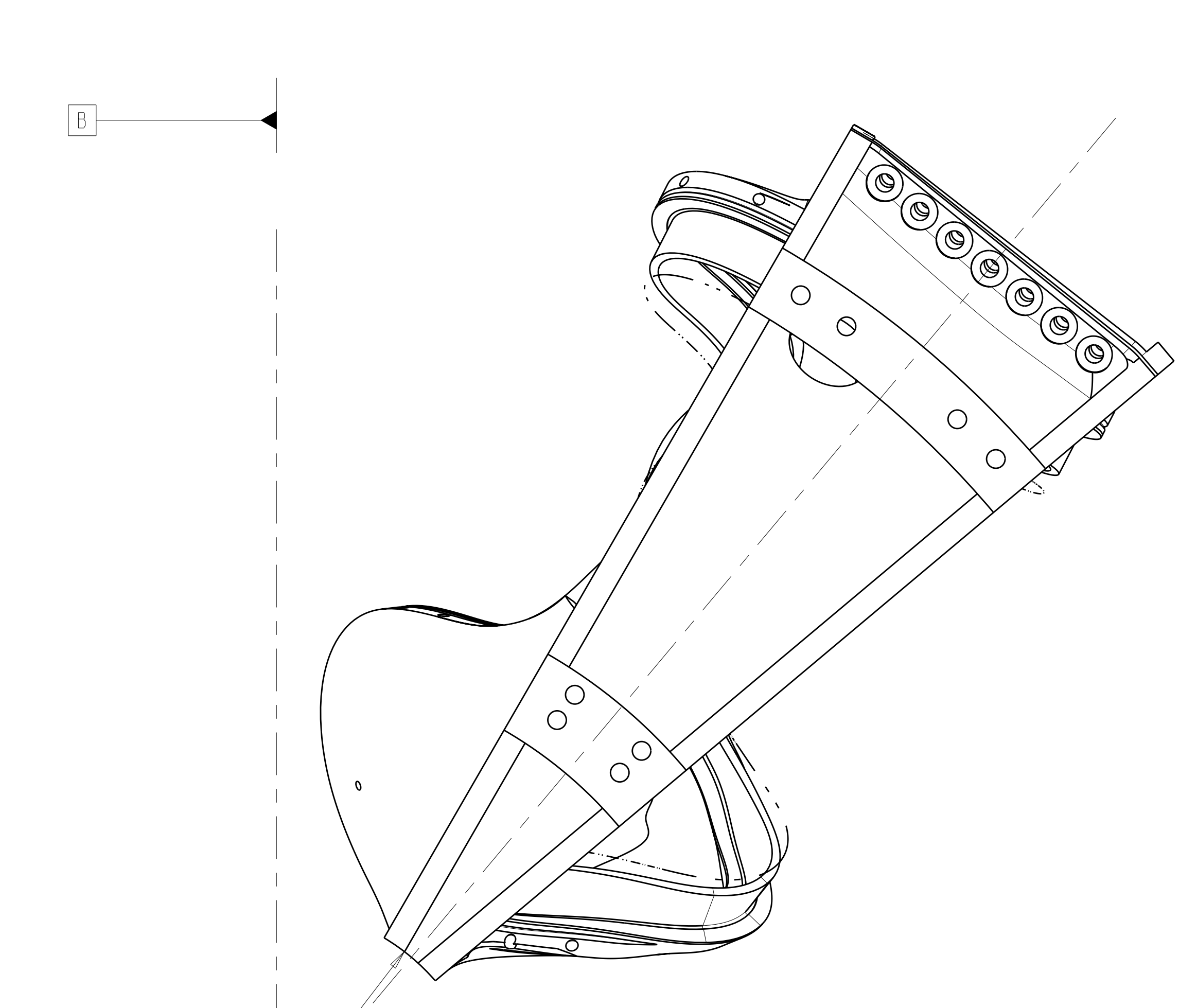


- NOTES:
1. INTERPRET DIMENSIONS AND TOLERANCES PER ANSI Y14.5M
 2. DIMENSIONS ARE IN INCHES
 3. REMOVE ALL DIRT, GREASE, AND OIL. VISUALLY INSPECT AFTER CLEANING.
 4. SEE SPECIFICATION, NCSX-CSPEC I41-01-01, FOR ADDITIONAL REQUIREMENTS.
 5. GEOMETRY IS DEFINED IN PRO ENGINEER CAD MODELS/FILES SE141-113.PRT.
 6. DRAWING AND MODELS COMBINED DEFINE FINISHED MACHINED PART.
 7. MACHINED FINISHED SURFACES TO CAD DATA, PROFILE WITHIN 0.020" PROFILE TOLERANCE IS BILATERAL, i.e. 0.010" EITHER SIDE OF THE REFERENCE SURFACE.
 8. AS-CAST SURFACES SHOWN IN NOMINAL MATERIAL CONDITION, THICKNESS TOLERANCE +/- 0.25. SURFACE PROFILE MUST BE WITHIN 0.5 INCHES OF CAD DATA, EXCEPT IN REGIONS OF INTERSECTING SURFACES WHERE FILLETS ARE EXPECTED.
 9. DIMENSIONS APPLY AT ROOM TEMPERATURE, OPERATING TEMP 80 K.



8 AS CAST SURFACES
 0.5 A B C

8 AS CAST SURFACES
 0.5 A B C

Ø 34.00

54.20

48.50

48.50

54.20

68.9

APPROXIMATE WEIGHT = 6726.8 LBS

PRELIMINARY
 FOR INFORMATION ONLY

SE140-103	SE141-113	COIL 3 SHELL	SEE NOTE 4	SEE NOTES	
CAGE CODE	PART OR IDENTIFYING NO	NOMENCLATURE OR DESCRIPTION	MATERIAL	SPECIFICATION	FIND NO
	NEXT ASSEMBLY	PARTS LIST			

QV CLASS	DOCUMENTS REQUIRED	APPLICABLE TO PART NO *
303	MATERIAL MILL TEST REPORT	
325	MATERIAL SELLER CERT	X
326	ORIGIN MATERIAL INSPECTION REPORT	
305	WELDING, INSPECTION AND TEST PLAN	X
312	FIELD INSPECTION AND TEST PLAN	
321	WELD AND BRAVE INSPECTION REPORT	X
322	HEAT TREAT REPORT (W/CHART)	X
310	LEAK TEST REPORT	X
315	CLEANING CERT	X
318	DEVIATION REQUEST	X
319	NONCONFORMANCE REPORT	X
323	DIMENSIONAL REPORT	X
330	FUNCTIONAL TEST REPORT	
100	DOCUMENTATION	X

* SYMBOL 'X' INDICATES APPLICABLE TO ALL PARTS OR ITEMS

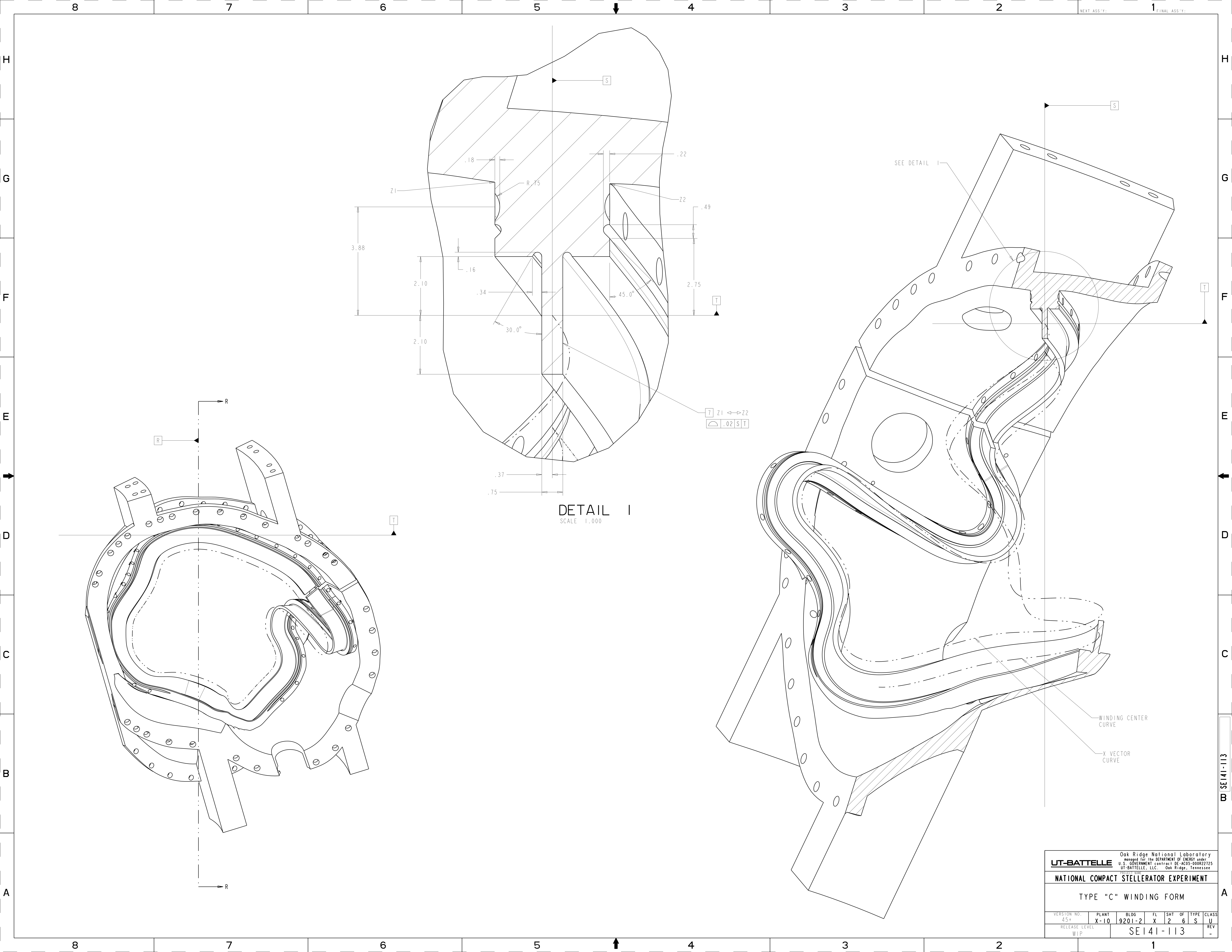
NO REPRESENTATION OR WARRANTY, EXPRESSED OR IMPLIED, IS MADE AS TO THE ACCURACY, COMPLETENESS OR USEFULNESS OF THE INFORMATION OR STATEMENTS CONTAINED IN THESE DRAWINGS, OR THAT THE USE OR DISCLOSURE OF ANY INFORMATION, APPARATUS, METHOD OR PROCESS DISCLOSED IN THESE DRAWINGS MAY NOT INFRINGE PRIVATE RIGHTS OF OTHERS. NO LIABILITY IS ASSUMED WITH RESPECT TO THE USE OF, OR FOR DAMAGES RESULTING FROM THE USE OF, ANY INFORMATION, APPARATUS, METHOD OR PROCESS DISCLOSED IN THESE DRAWINGS. DRAWINGS MADE AVAILABLE FOR INFORMATION TO BIDDER ARE NOT TO BE USED FOR OTHER PURPOSES, AND ARE TO BE RETURNED UPON REQUEST OF THE FORWARDING CONTRACTOR.

P THIS DRAWING PRODUCED ON PRO-ENGINEER

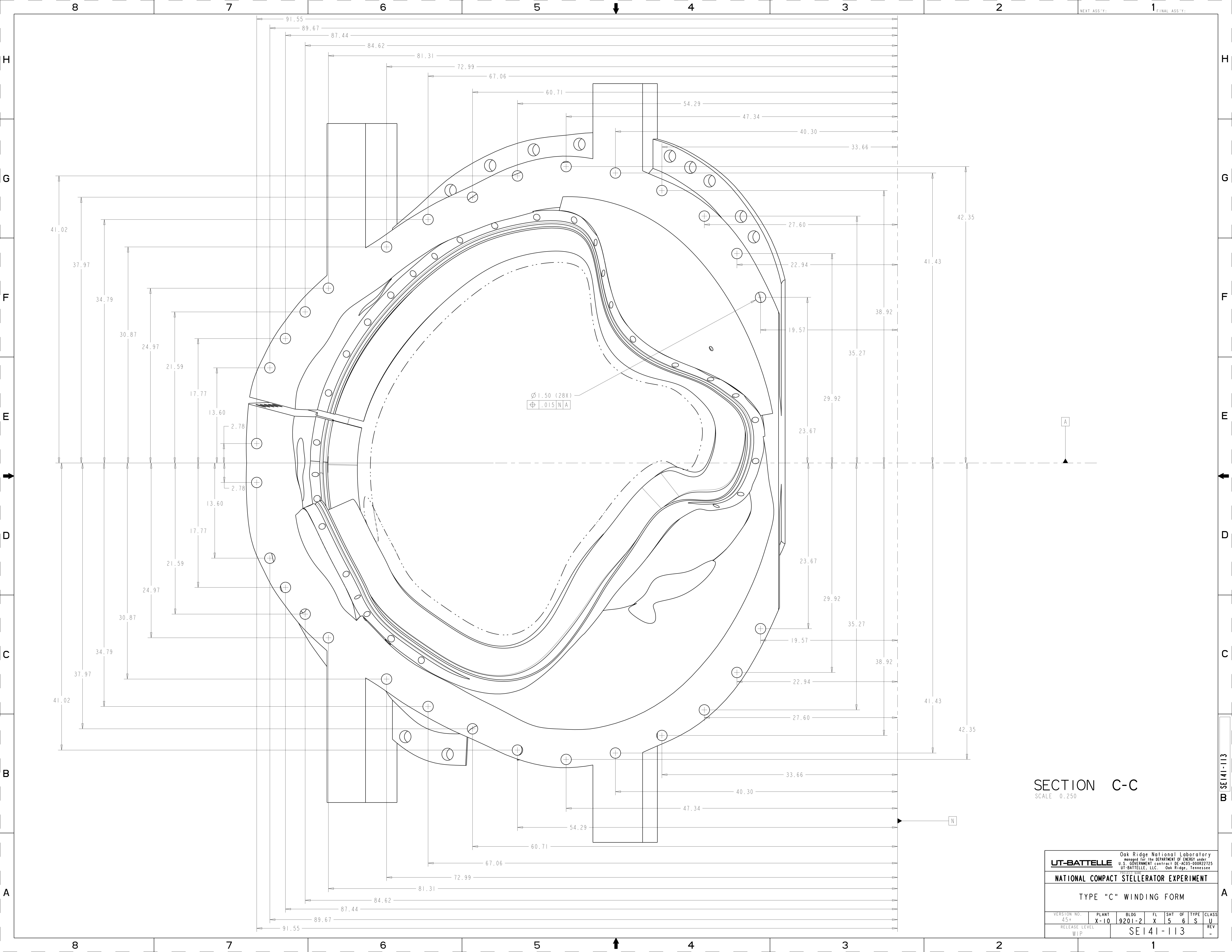
REV	DESCRIPTION	A-E	BY	CHK	SECT	DEPT	DATE	PE	REQ	DATE	ORNL	DATE	DOE	DATE	QA	CV	EC	EE	EM	IE	M	PD	SE	ST	XAD	PES
-	ISSUE FOR INFORMATION ONLY																									
	REVISION OR ISSUE PURPOSE																									

SCALE .125 UNO	DES DAVID WILLIAMSON 9-20-03
TOLERANCES UNLESS OTHERWISE SPECIFIED	DRW GARY LOVETT 9-20-03
FRACTIONS	
XX DECIMALS ±.01	
XXX DECIMALS ±.005	
ANGLES ±0°15'	
BREAK SHARP EDGES OR MAX FINISH .125 UNLESS OTHERWISE SPECIFIED	
PPPL DRFT	
DRAWING APPROVALS	DATE

Oak Ridge National Laboratory managed for the DEPARTMENT OF ENERGY under U.S. GOVERNMENT contract DE-AC05-00OR22725 UT-BATTELLE, LLC. Oak Ridge, Tennessee	
PROJECT NAME: NATIONAL COMPACT STELLERATOR EXPERIMENT	
TYPE "C" WINDING FORM	
VERSION NO. ***	PLANT X-10
BLDG 9201-2	FL SHT OF
TYPE X 1	CLASS 6 S U
RELEASE LEVEL ***	SE141-113
REV -	

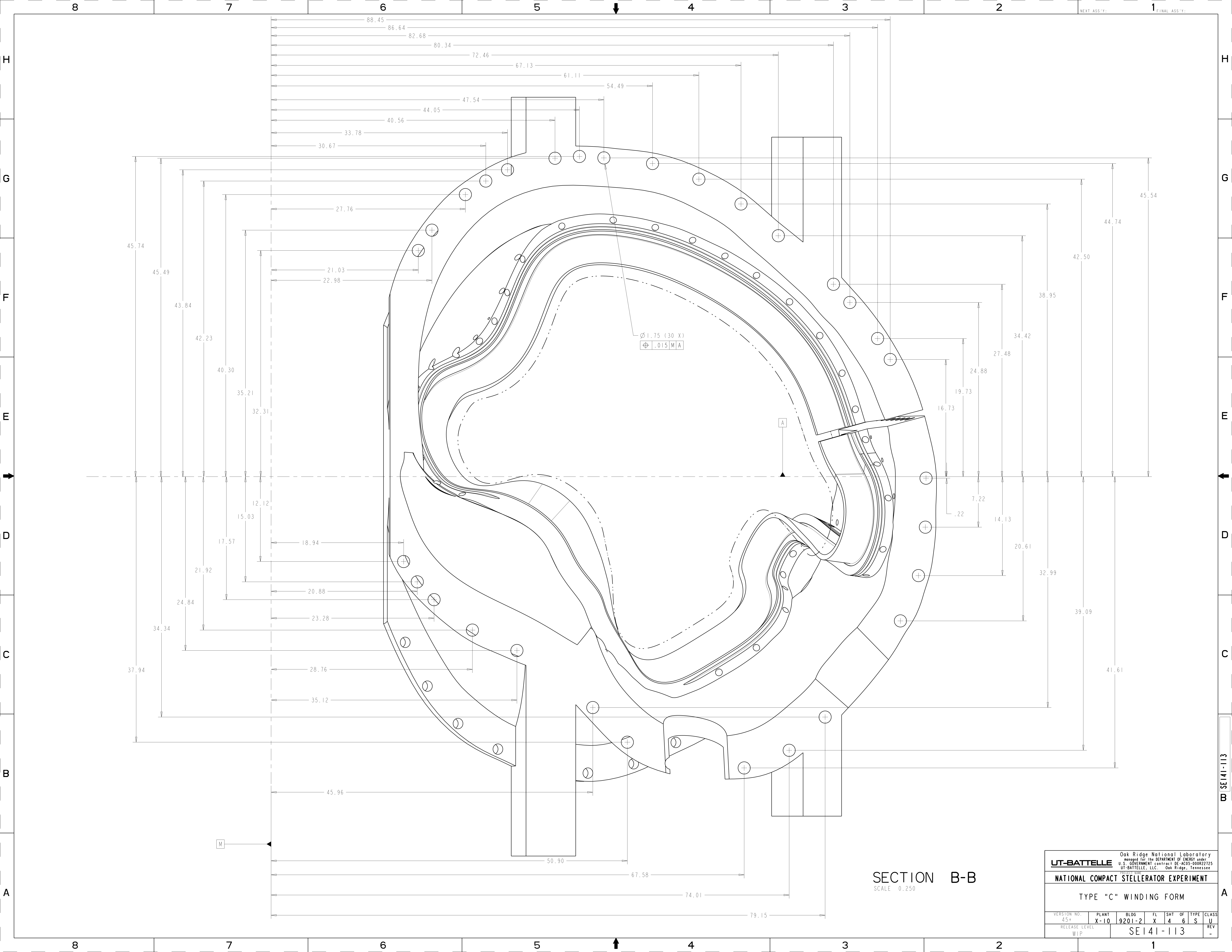


Oak Ridge National Laboratory managed for the DEPARTMENT OF ENERGY under U.S. GOVERNMENT contract DE-AC05-00OR22725 UT-BATTELLE, LLC, Oak Ridge, Tennessee PROJECT NAME:						
UT-BATTELLE NATIONAL COMPACT STELLERATOR EXPERIMENT						
TYPE "C" WINDING FORM						
VERSION NO.	PLANT	BLDG	FL	SHT	OF	TYPE CLASS
45+	X-10	9201-2	X	2	6	S U
RELEASE LEVEL		SEI41-113			REV	
WIP					-	



SECTION C-C
SCALE 0.250

Oak Ridge National Laboratory managed for the DEPARTMENT OF ENERGY under U.S. GOVERNMENT CONTRACT DE-AC05-00OR22725 UT-BATTELLE, LLC, Oak Ridge, Tennessee PROJECT NAME:							
UT-BATTELLE NATIONAL COMPACT STELLERATOR EXPERIMENT							
TYPE "C" WINDING FORM							
VERSION NO.	PLANT	BLDG	FL	SHT OF	TYPE	CLASS	U
45+	X-10	9201-2	X	5 6	S	U	
RELEASE LEVEL		SE141-113		REV		-	
WIP							

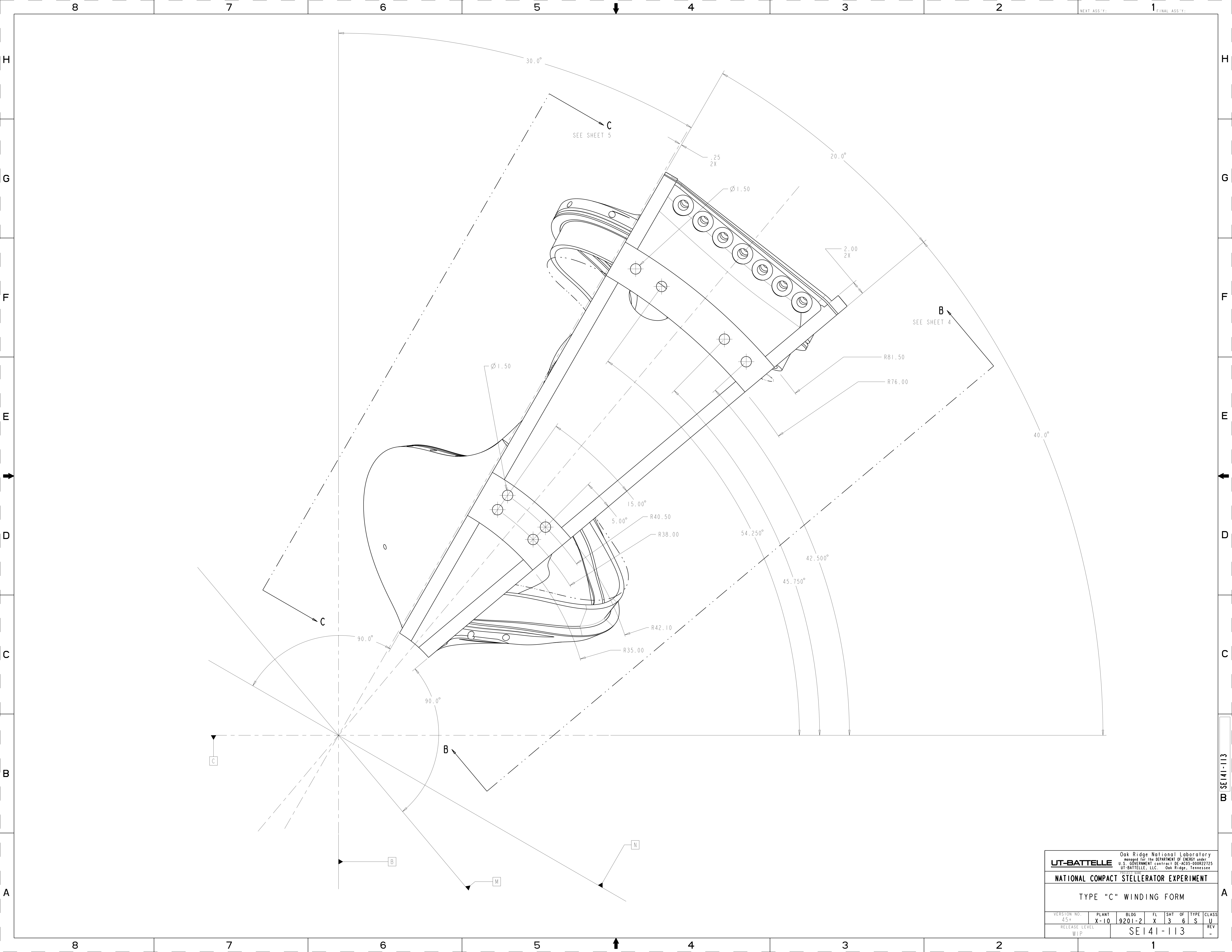


SECTION B-B
SCALE 0.250

Oak Ridge National Laboratory managed for the DEPARTMENT OF ENERGY under U.S. GOVERNMENT contract DE-AC05-00OR22725 UT-BATTELLE, LLC. Oak Ridge, Tennessee PROJECT NAME:									
UT-BATTELLE NATIONAL COMPACT STELLERATOR EXPERIMENT									
TYPE "C" WINDING FORM									
VERSION NO.	PLANT	BLDG	FL	SHT	OF	TYPE	CLASS		
45+	X-10	9201-2	X	4	6	S	U		
RELEASE LEVEL		SE141-113						REV	
WIP								-	

B SE141-113

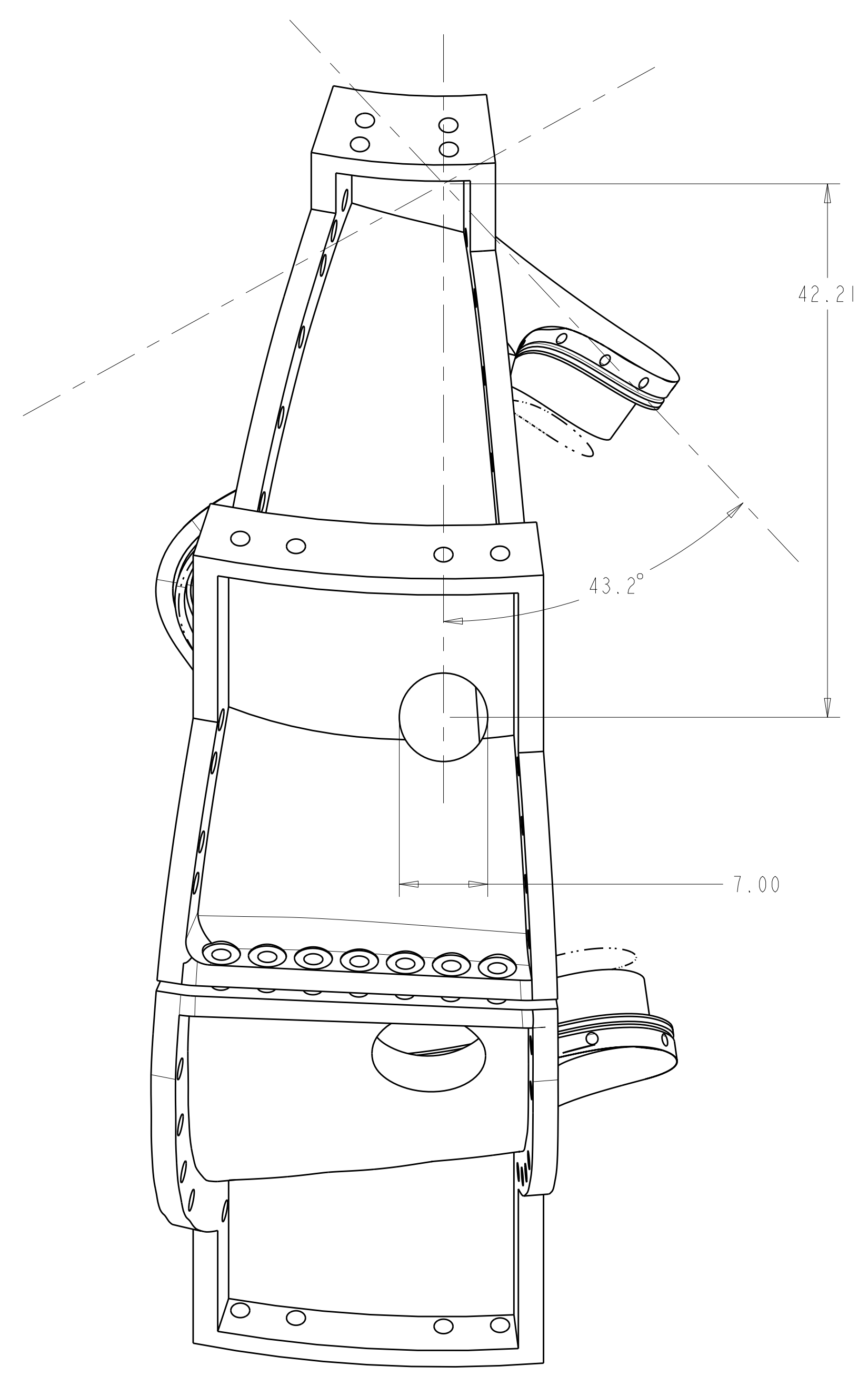
A



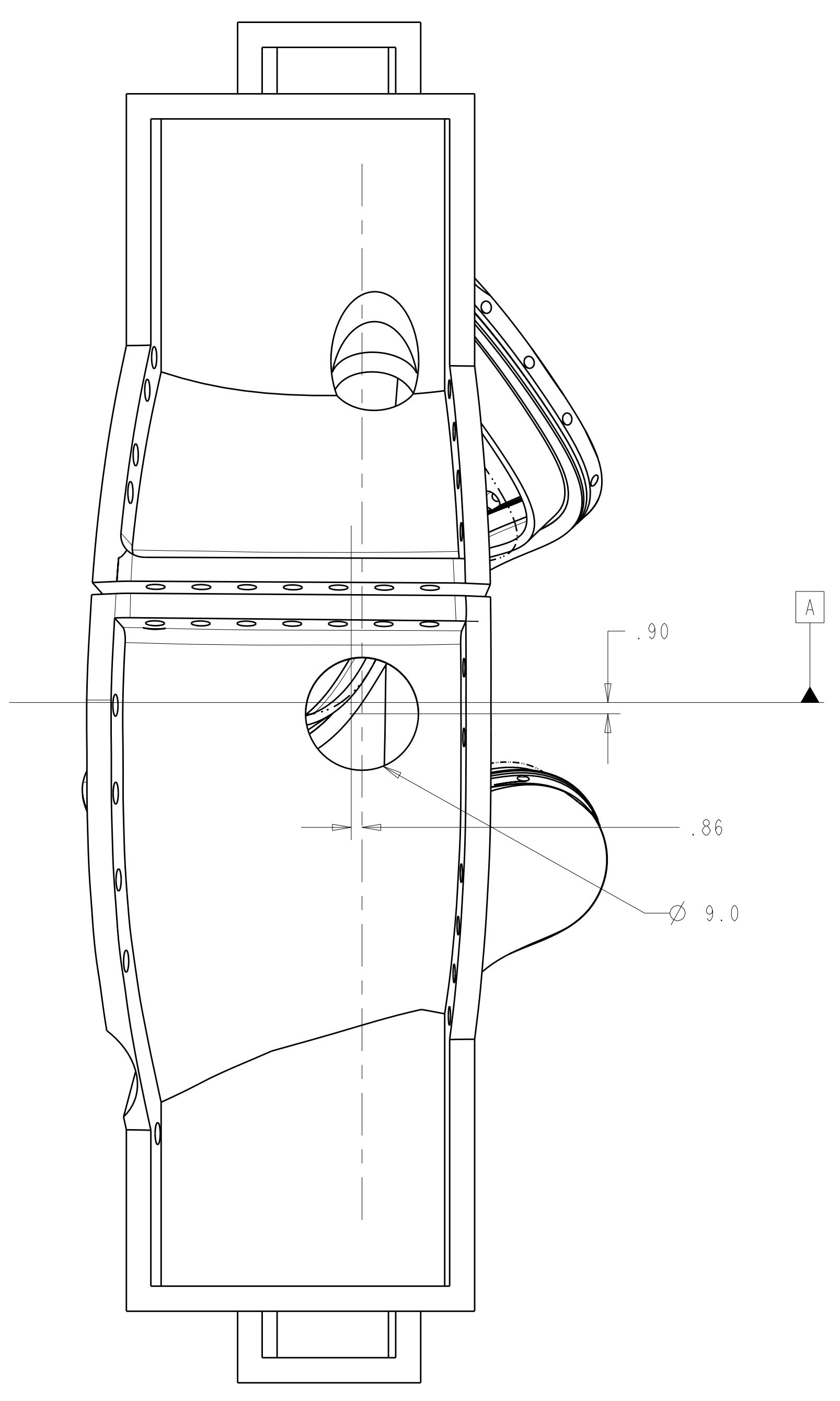
Oak Ridge National Laboratory managed for the DEPARTMENT OF ENERGY under UT-BATTELLE U.S. GOVERNMENT CONTRACT DE-AC05-00OR22725 UT-BATTELLE, LLC. Oak Ridge, Tennessee <small>PROJECT NAME</small>										
NATIONAL COMPACT STELLERATOR EXPERIMENT										
TYPE "C" WINDING FORM										
VERSION NO.	PLANT	BLDG	FL	SHT	OF	TYPE	CLASS			
45+	X-10	9201-2	X	3	6	S	U			
RELEASE LEVEL		SE141-113						REV		
WIP								-		

B SE141-113

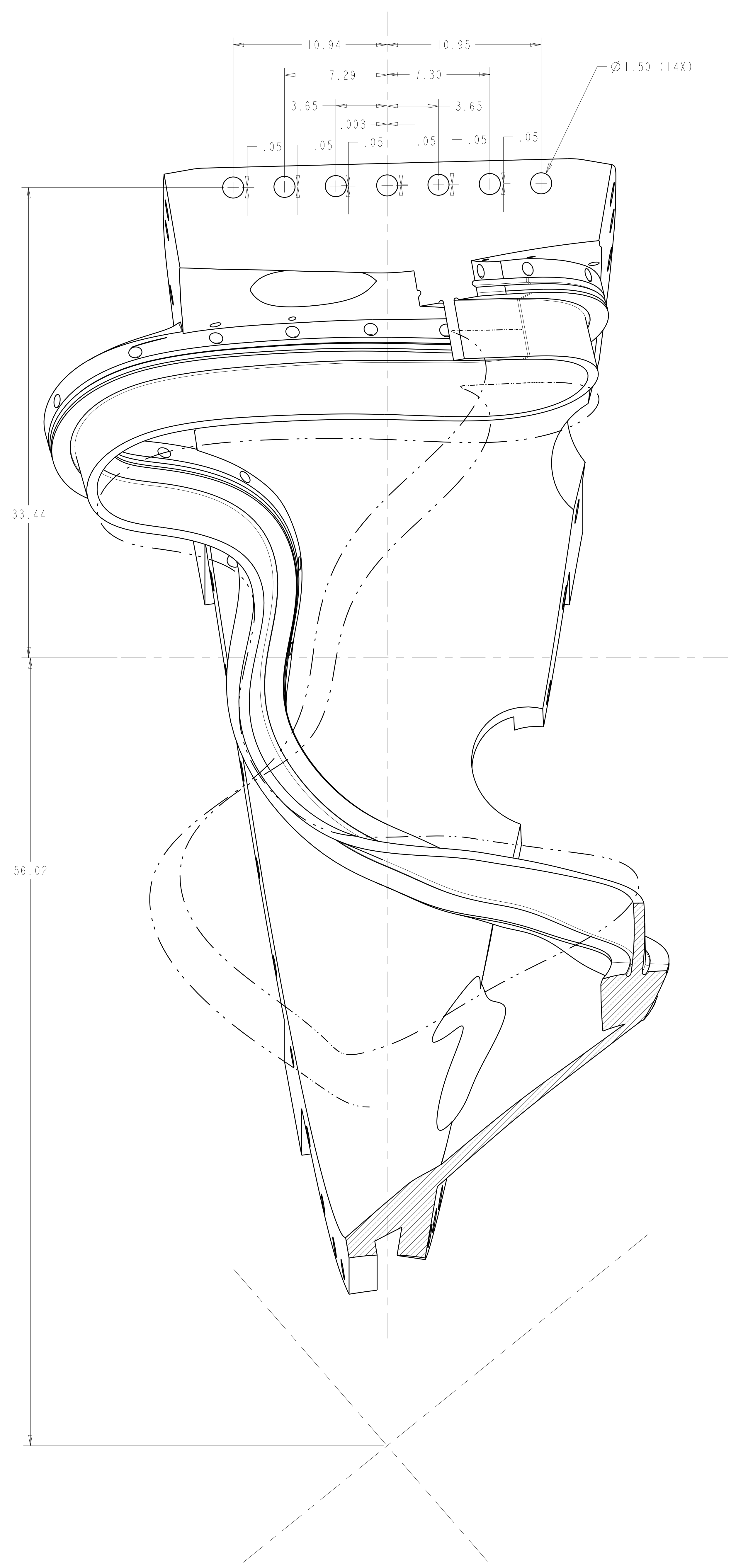
A



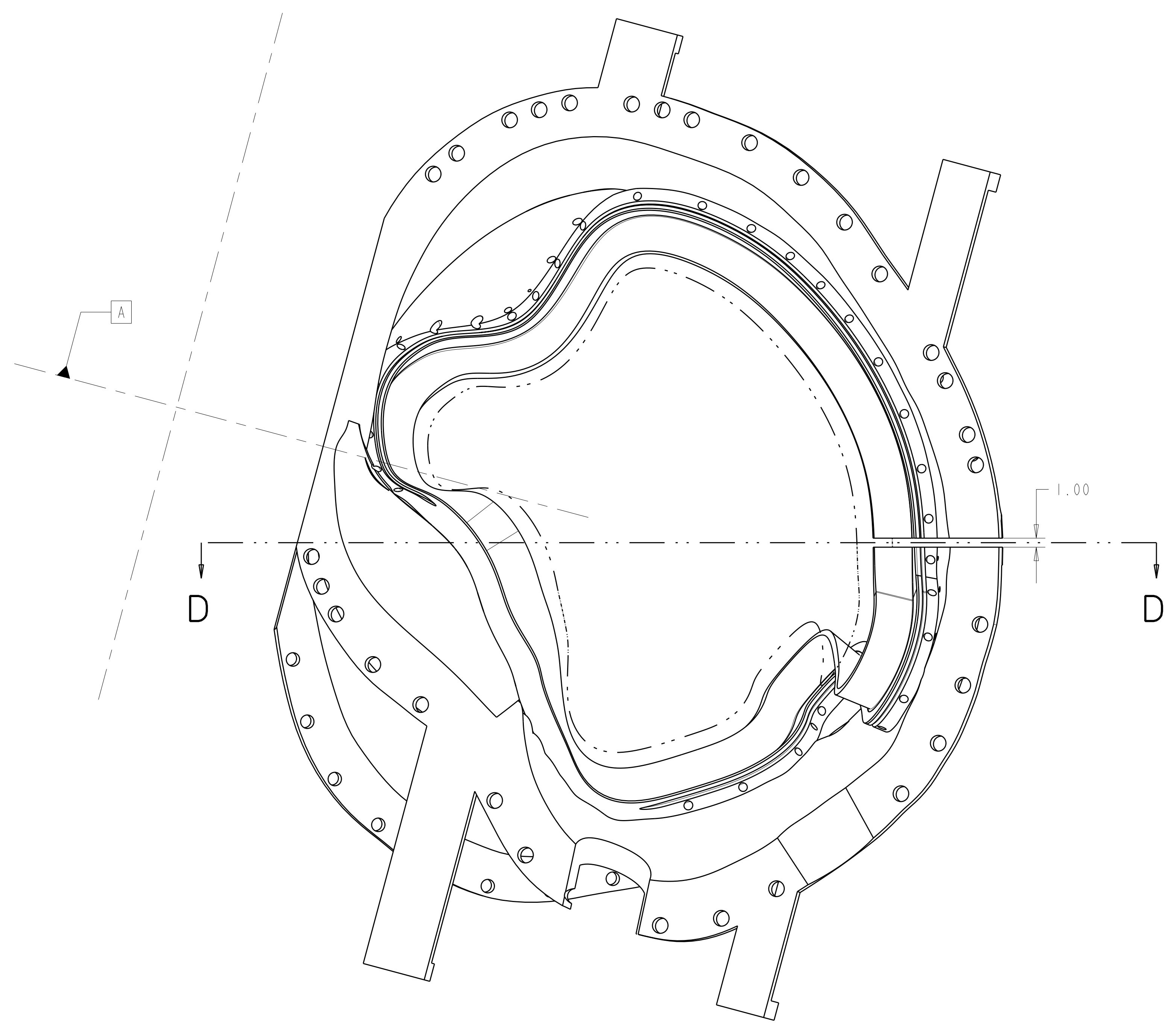
PORT 2 VIEW



PORT 8 VIEW



SECTION D-D
SCALE 0.250



Oak Ridge National Laboratory managed for the DEPARTMENT OF ENERGY under U.S. GOVERNMENT contract DE-AC05-00OR22725 UT-BATTELLE, LLC, Oak Ridge, Tennessee PROJECT NAME:									
UT-BATTELLE NATIONAL COMPACT STELLERATOR EXPERIMENT									
TYPE "C" WINDING FORM									
VERSION NO.	PLANT	BLDG	FL	SHT	OF	TYPE	CLASS		
45+	X-10	9201-2	X	6	6	S	U		
RELEASE LEVEL		SEI41-113							
WIP									