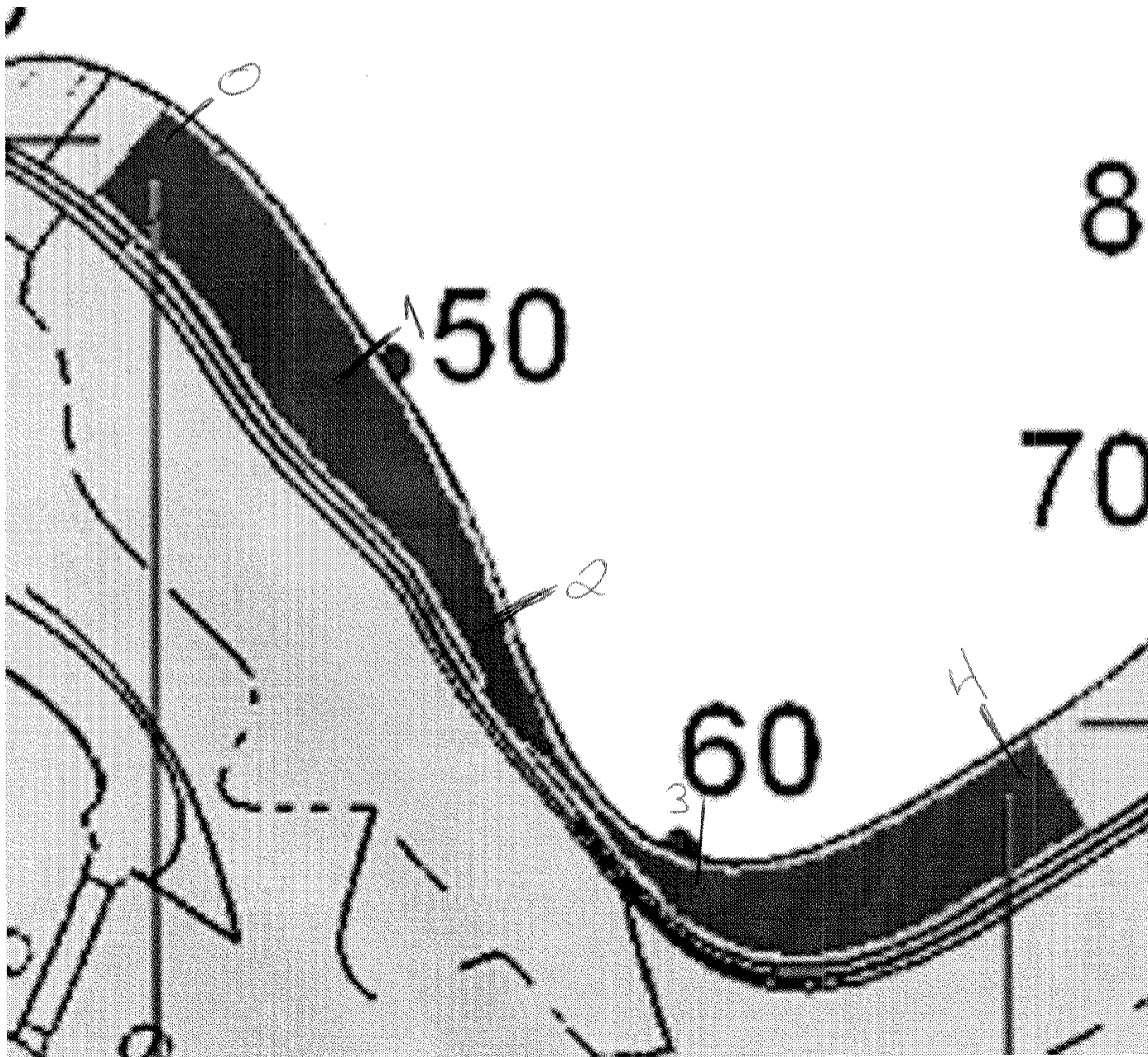
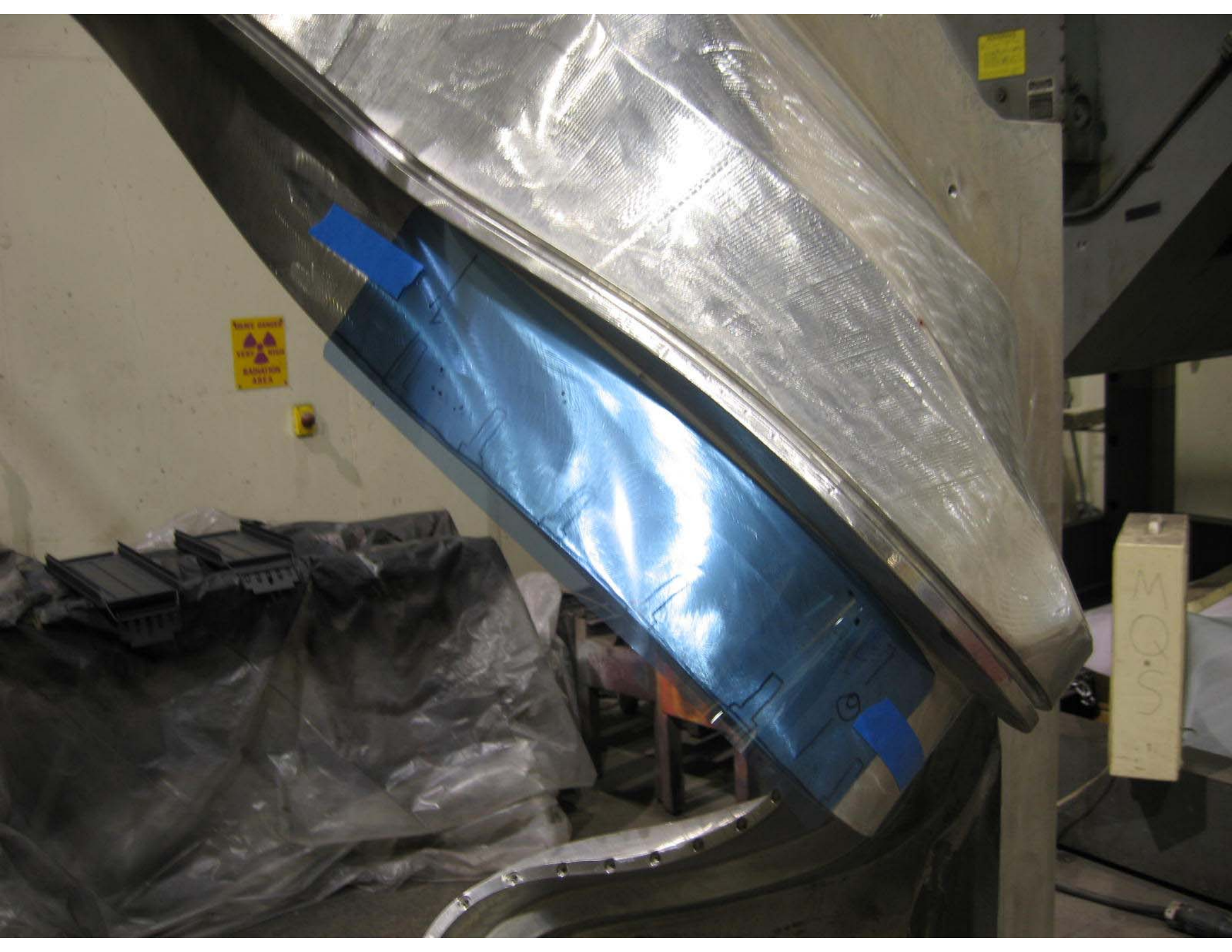


65707/5.0/1/10/818
SE141-116 rev.8
Page 2 of 2
4/13/06
NCR 19607

Figure 7-2 – High Stress Region Identification for Type-C MCWF





RADIATION AREA

M.S.G.



