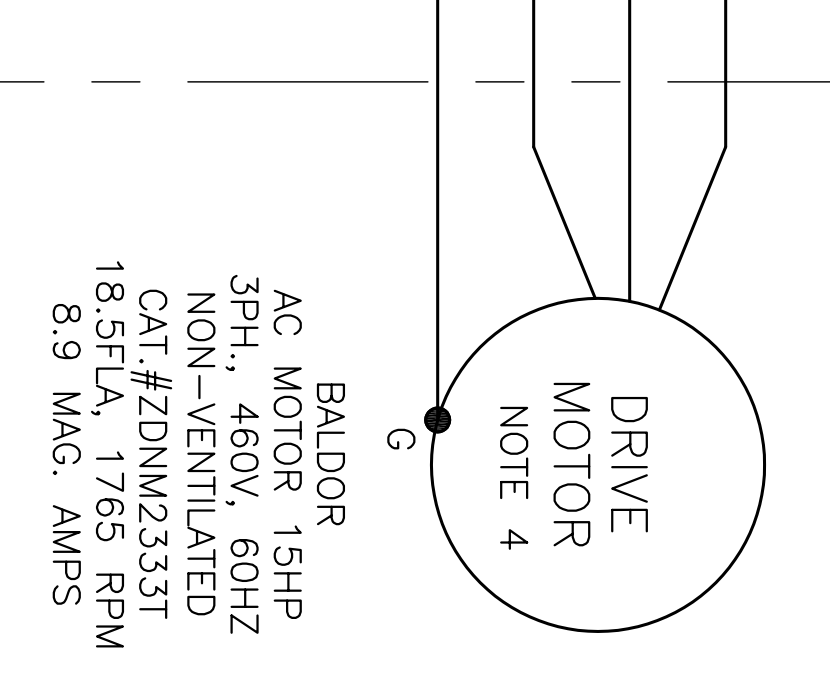
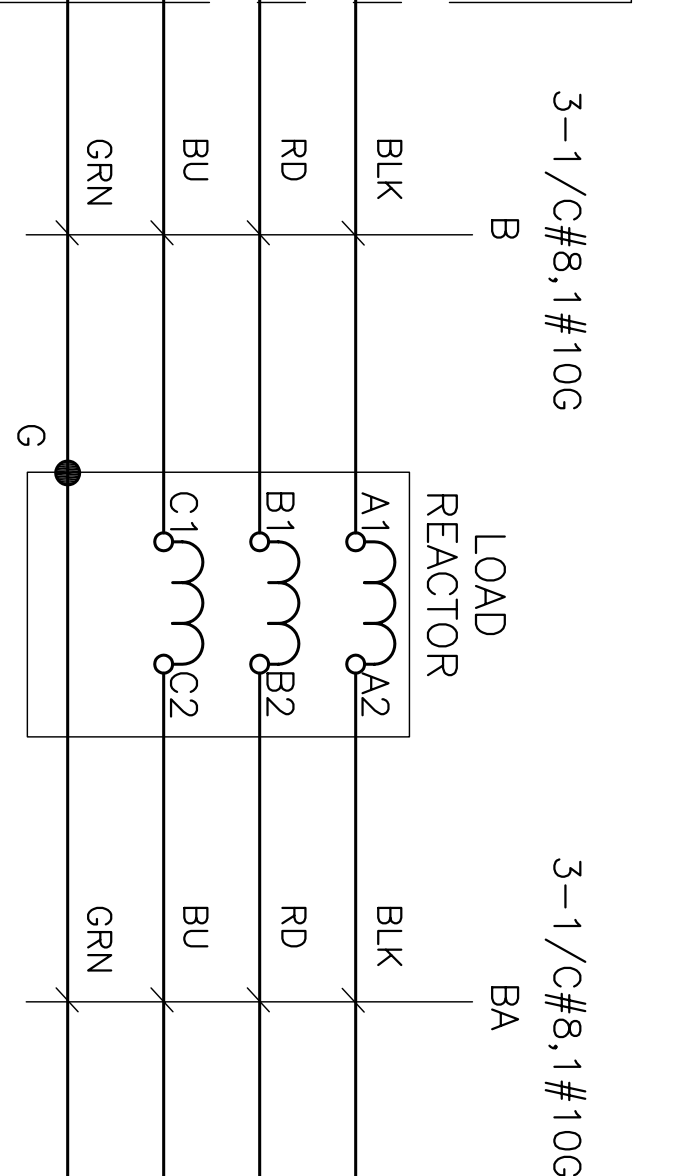
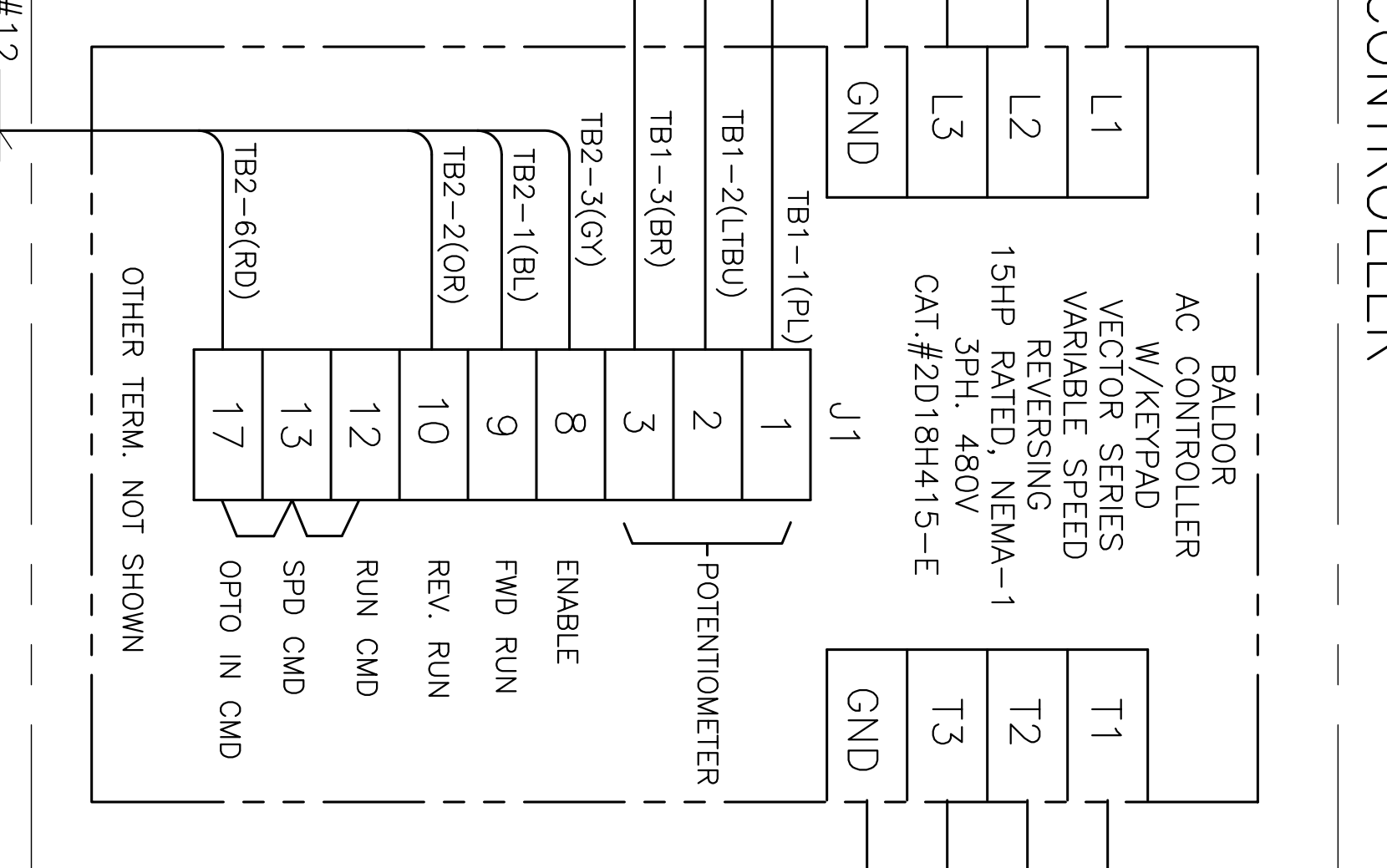
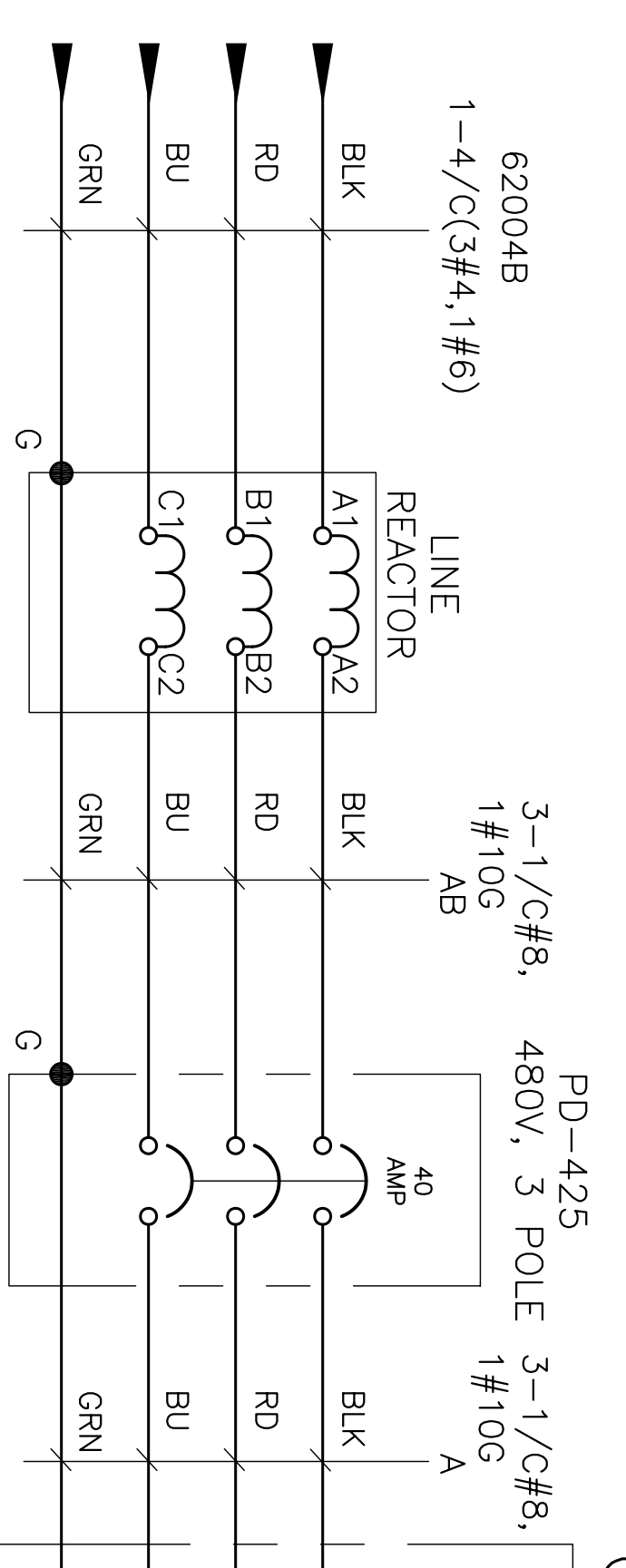
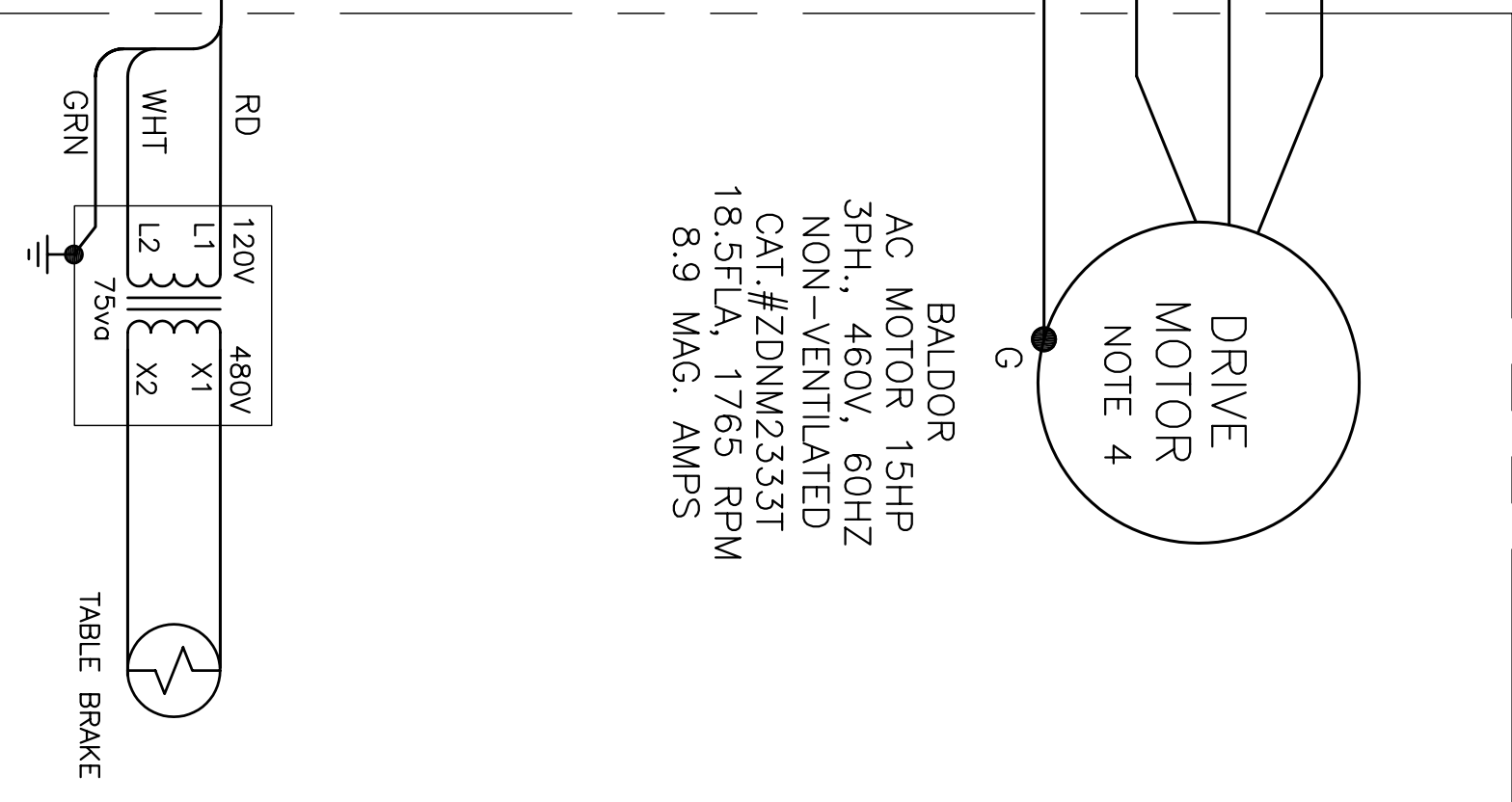


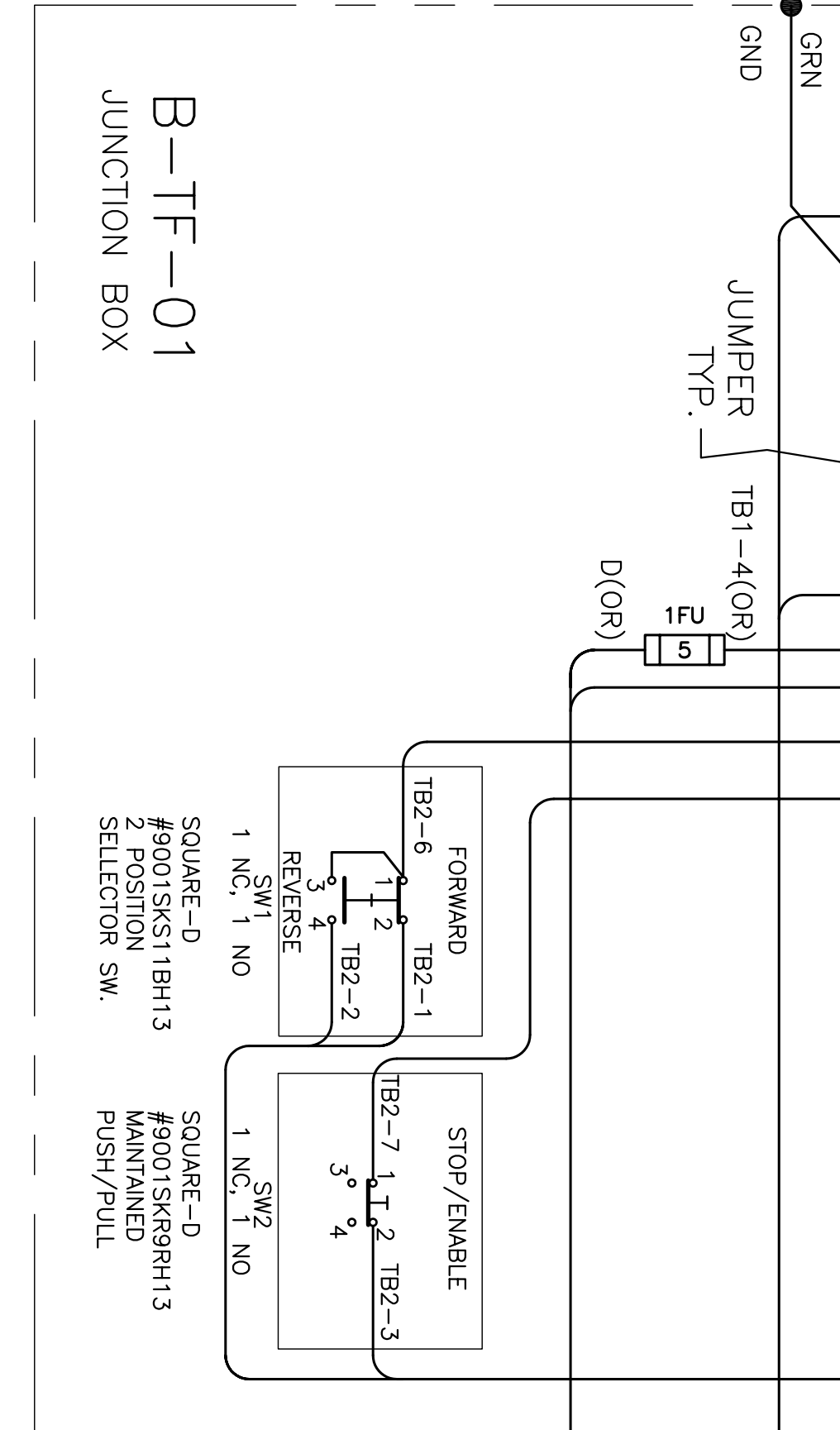
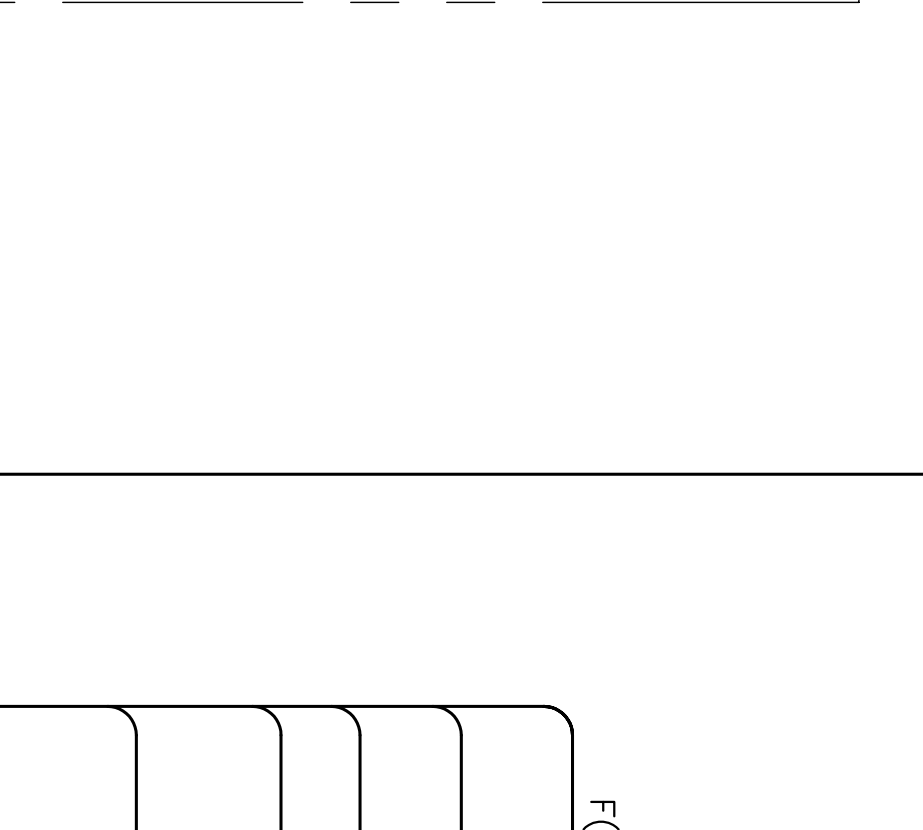
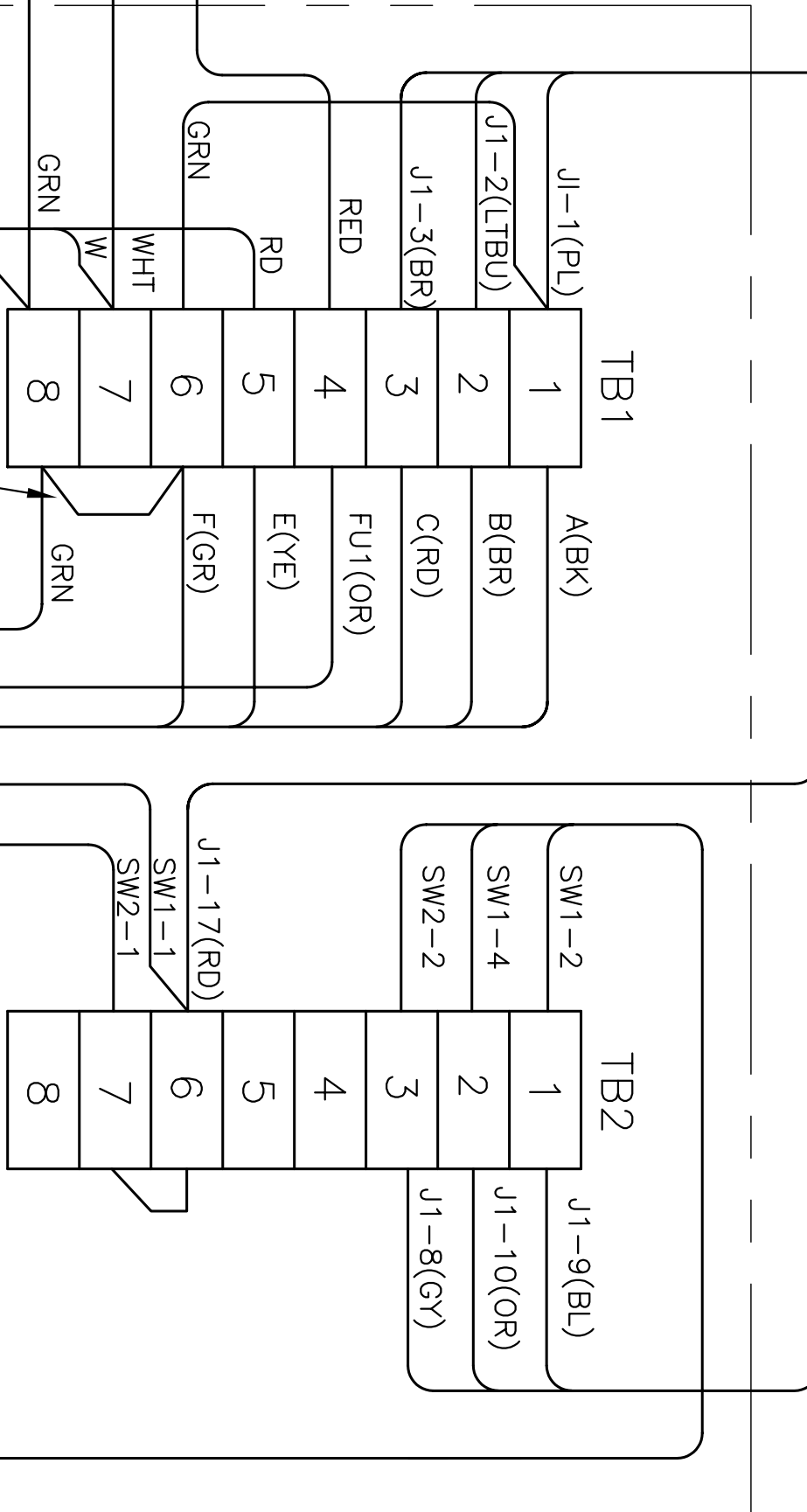
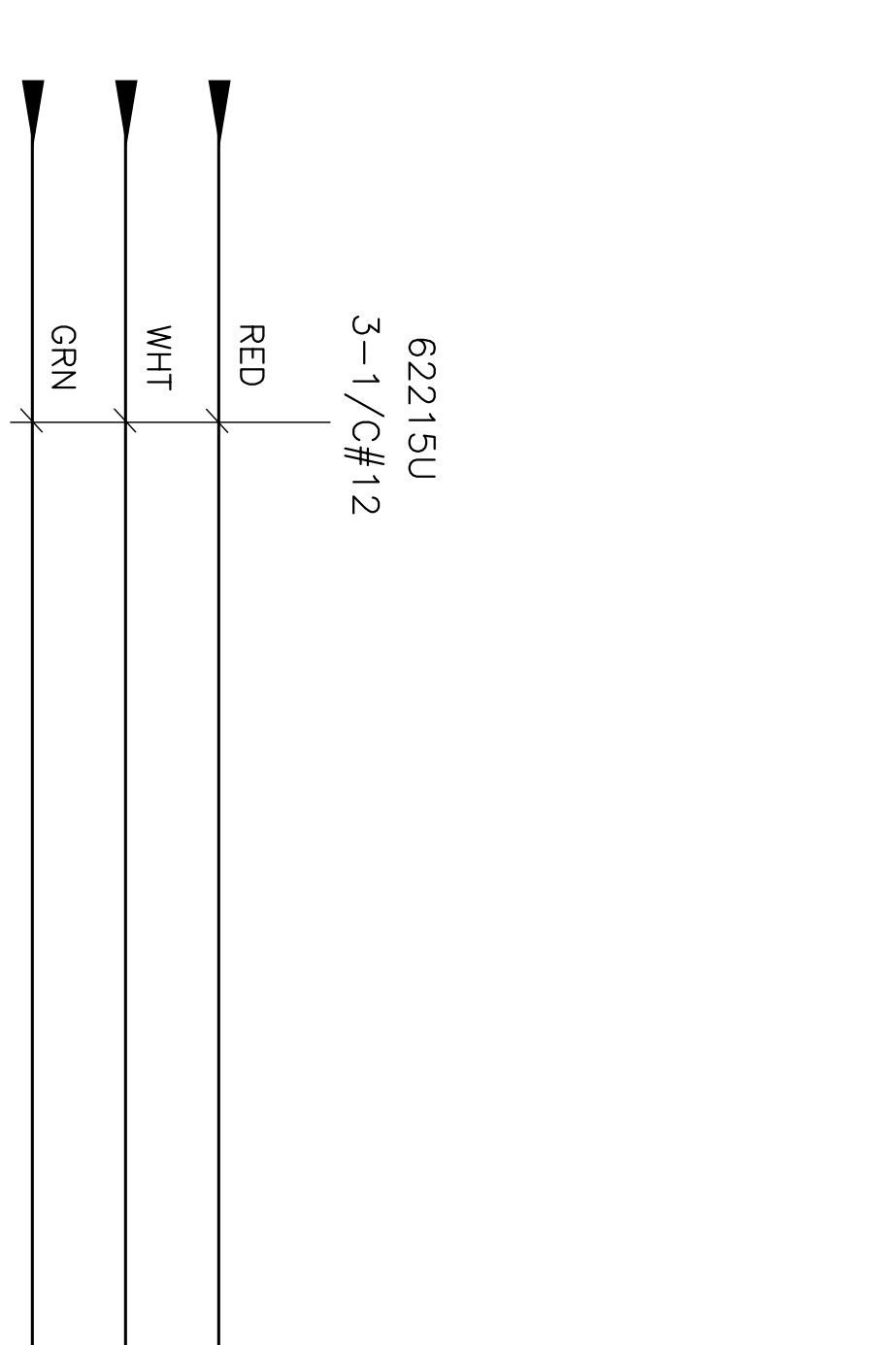
FROM
PP-328
CKT-8, 50A
3P, 480V AC 60HZ
6000-D-52004-OL
TEST CELL BSM/T.



TF COIL TURNTABLE



FROM
LP-502
CKT-12, 20A
1P, 120V AC 60HZ
6000-B-52215-PL
PEDESTAL MTD.



- NOTES:
1. FIELD TO BOND ALL ASSOC. CONDUITS.
 2. PROVIDE 25' OF SJO CORD TO FOOT SW.
 3. ALL CABLE LETTER ARE PRECEDED BY S144040 UNLESS NOTED OTHERWISE.
 4. VERIFY MOTOR INTERNAL WIRING IS TERMINATED FOR 480V OPERATION.
 5. TERMINAL BLOCKS IN B-TF-01 MUST BE RATED AT 20A, 300V MIN.
 6. REMOTE OPERATION MODE IS SET AT 3 SPEED, ANALOG 2 WIRE.

VOID

RELEASED FOR FABRICATION / INSTALLATION
PPPL Drawings

COMPUTER GENERATED DRAWING. MANUAL CHANGES NOT PERMITTED
AutoCAD2000

PRINCETON PLASMA PHYSICS LABORATORY NATIONAL COMPACT STELLARATOR EXPERIMENT TF COIL TF TURNTABLE AND CONTROLLER WIRING		DATE: 7/21/05		CADD FILE: S144E040R2.DWG	
DIV: ELECTRICAL	ENG: FRANK JONES	DESIGNED: FRANK JONES	CHK: SUPV	NCSX	
DWN: JIM NELSON	FRANK JONES	FRANK JONES	CHK: JS	S144E040	
CHK: RICK VAN KIRK			SHEET	OF	REV 2

NO.	REVISION	DATE
1		10/05
REV. PER ECN #5031 REV. SW & AS BUILT		
BY: JN	APRV: FJ	
2		10/06
REV. PER ECN #5176 TF TABLE REMOVED		
BY: FJ	FJ	JS

