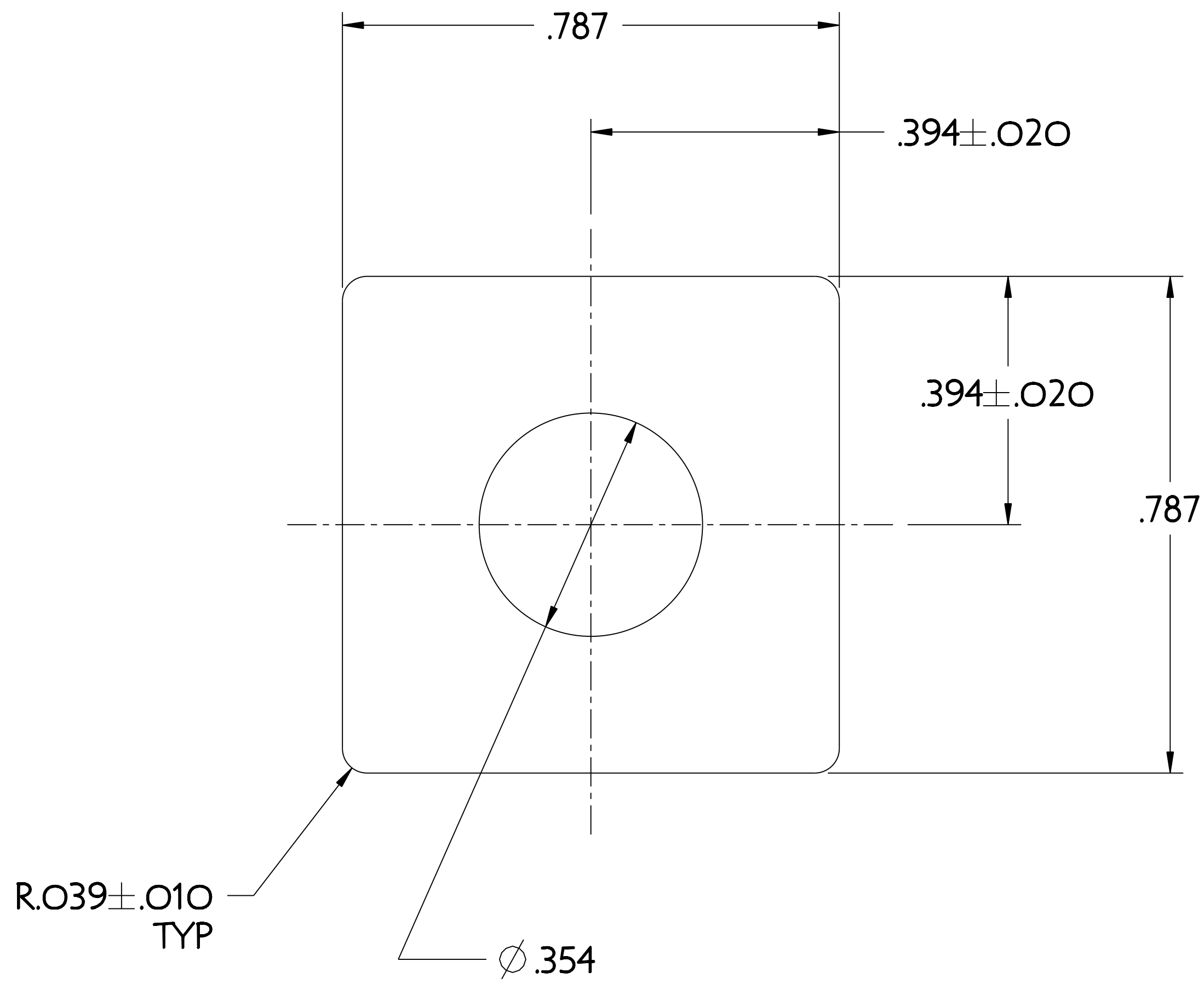


| NO. | REVISION | BY | CH | SUP | APPROVED | DATE |
|-----|----------|----|----|-----|----------|------|
| | | | | | | |



**RELEASED FOR
FABRICATION / INSTALLATION**

PPPL Drafting:

NOTES:
SEE SPECIFICATION # NCSX-CSPEC-132-04
FOR MATERIAL, PROPERTIES & QUANTITY.

RELEASE LEVEL: FABRICATION
DWG VERSION NO:

weight=0.0 lbs
DATE:
WELDING ENGINEER
APPVD: _____ DATE

| | | | | | | |
|------------------------------------------------------------|--------------------------------------------------------|-----------------|---------------------------------------------------------------------------------------------------------------------------------------------------------------------------------------------------|--|-----------------|---------|
| COMPUTER GENERATED DRAWING MANUAL CHANGES NOT PERMITTED | CENTRAL FILES: | | PRINCETON PLASMA PHYSICS LABORATORY PRINCETON UNIVERSITY NATIONAL COMPACT STELLARATOR EXPERIMENT STELLARATOR CORE CONVENTIONAL COILS PF-4 PF-5 & PF-6 COIL CONDUCTOR DETAIL | | | |
| | UNLESS OTHERWISE SPECIFIED | | | | | |
| Pro E | DIMENSIONS ARE IN INCHES MACHINE SURFACES $\sqrt{}$ | | DIV: MECH. ENG. | | DATE: 1-16-2008 | |
| DO NOT VERIFY INFORMATION BY SCALING DRAWING | BREAK SHARP EDGES .005/.020 | | ENG: J. CHRZANOWSKI | | APPROVED | |
| | TOLERANCES NON-CUMULATIVE | | DSN: J. RUSHINSKI | | J. CHRZANOWSKI | |
| NEXT ASSEMBLY | DECIMAL - INCH | FRACTIONS | CHK: M. KALISH | | CHK MK | SUPV JS |
| | .X .100 | 0"-12" 1/16 | | | | |
| | .XX .030 | 12"-72" 1/8 | | | | |
| | .XXX .005 | 72"-120" 1/4 | | | | |
| | ANGULAR 0°-15° | OVER 120" 1/2 | | | | |
| | | | SHEET 1 OF 1 | | REV 0 | |

EMI