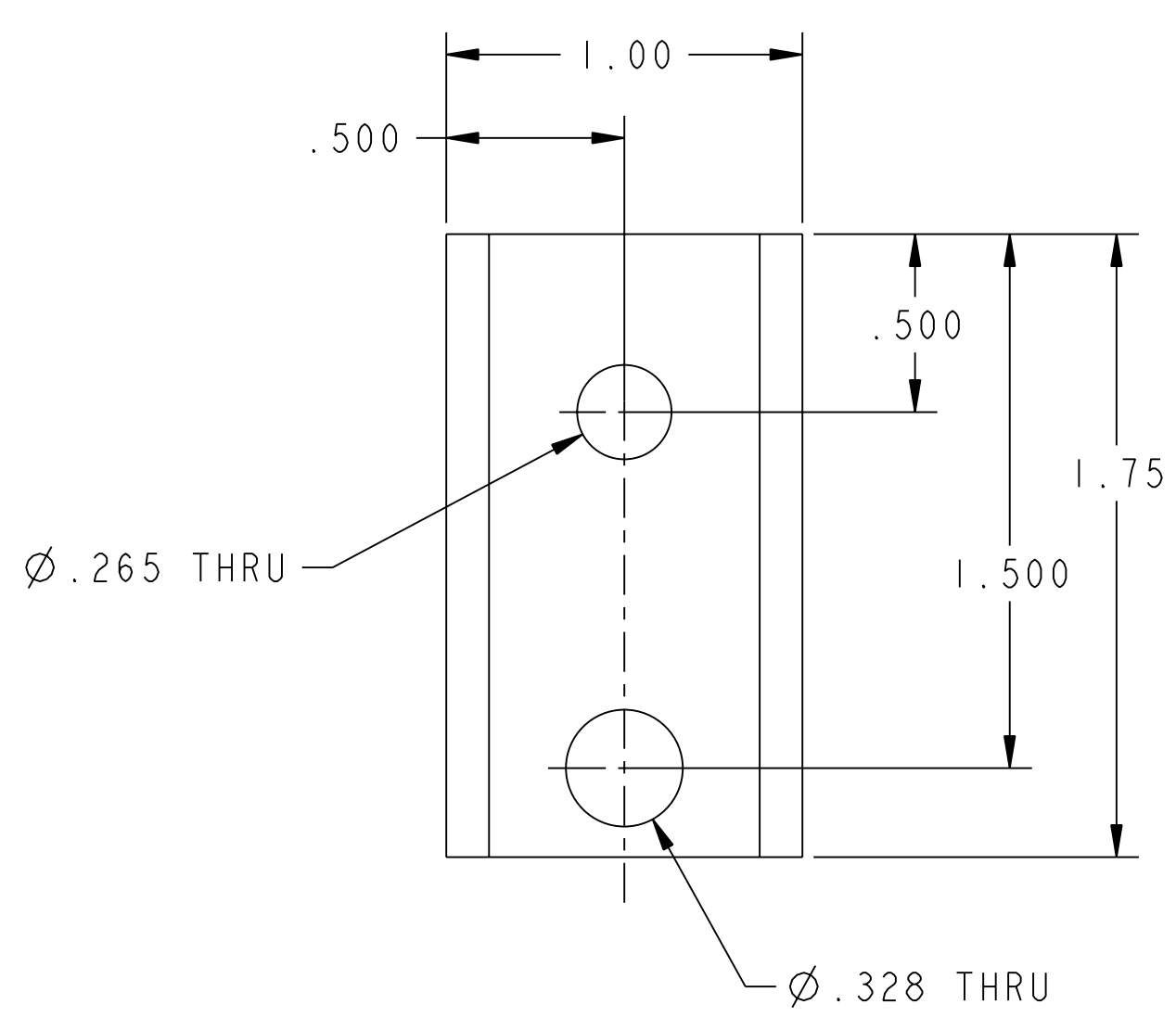
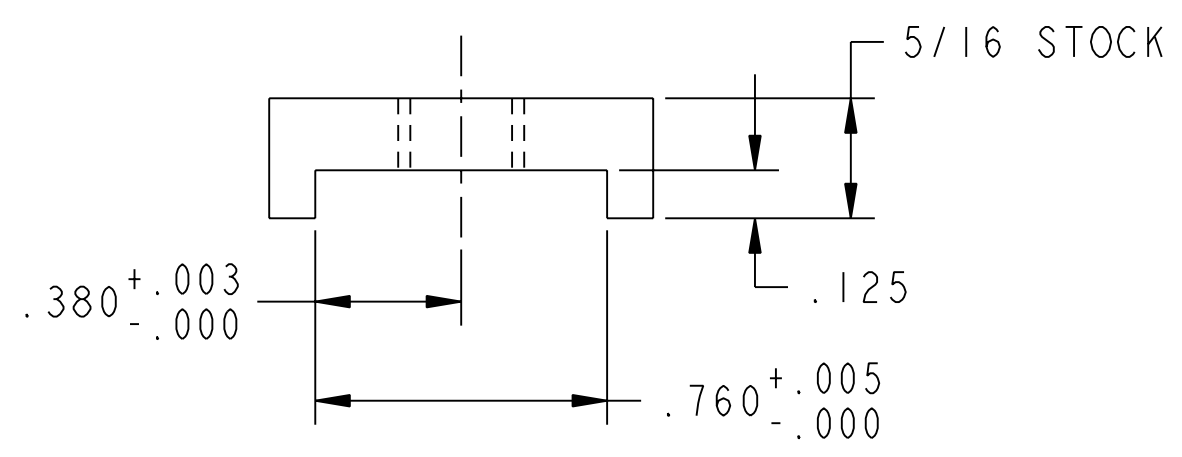


NO.	REVISION	BY	CH	SUP	APPROVED	DATE



**RELEASED FOR
FABRICATION / INSTALLATION**

PPPL Drafting:

1	SCI44-088	GUIDE "TEE" PLATE - TYPE "D"	ASTM A36	1
ITEM NO.	DRAWING NO	NOMENCLATURE OR DESCRIPTION	MATERIAL	QTY REQD
PARTS LIST				
COMPUTER GENERATED DRAWING MANUAL CHANGES NOT PERMITTED	CENTRAL FILES: UNLESS OTHERWISE SPECIFIED	PRINCETON PLASMA PHYSICS LABORATORY PRINCETON UNIVERSITY NATIONAL COMPACT STELLARATOR EXPERIMENT MODULAR COIL ASSEMBLY MODULAR COIL WINDING FORM GUIDE "TEE" PLATE - TYPE "D"		
Pro E	DIMENSIONS ARE IN INCHES MACHINE SURFACES $\sqrt{\text{V}}$			
DO NOT VERIFY INFORMATION BY SCALING DRAWING	BREAK SHARP EDGES .005/.020			
	TOLERANCES NON-CUMULATIVE	DIV: MECH. ENG.	DATE: 10-7-05	
<u>NEXT ASSEMBLY</u>	DECIMAL - INCH	FRACTIONS	ENG: CHRZANOWSKI	<u>APPROVED</u>
	.X .100	0"-12" 1/16	DSN: L. MORRIS	J.H. CHRZANOWSKI
	.XX .030	12"-72" 1/8	CHK: S. RAFTOPOULOS	SC144-088
	.XXX .005	72"-120" 1/4	CHK SR	SUPV JS
	ANGULAR 10°-15°	OVER 120" 1/2		
	APPVD: _____	DATE		SHEET 1 OF 1
				REV 0

RELEASE LEVEL: FABRICATION
DWG VERSION NO: 0

weight = [.] lbs

DATE: _____

WELDING ENGINEER

APPVD: _____ DATE