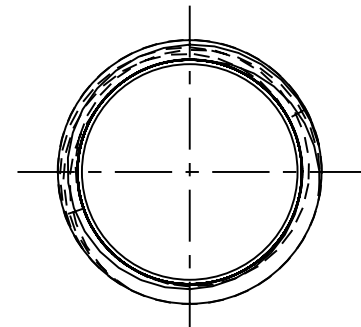
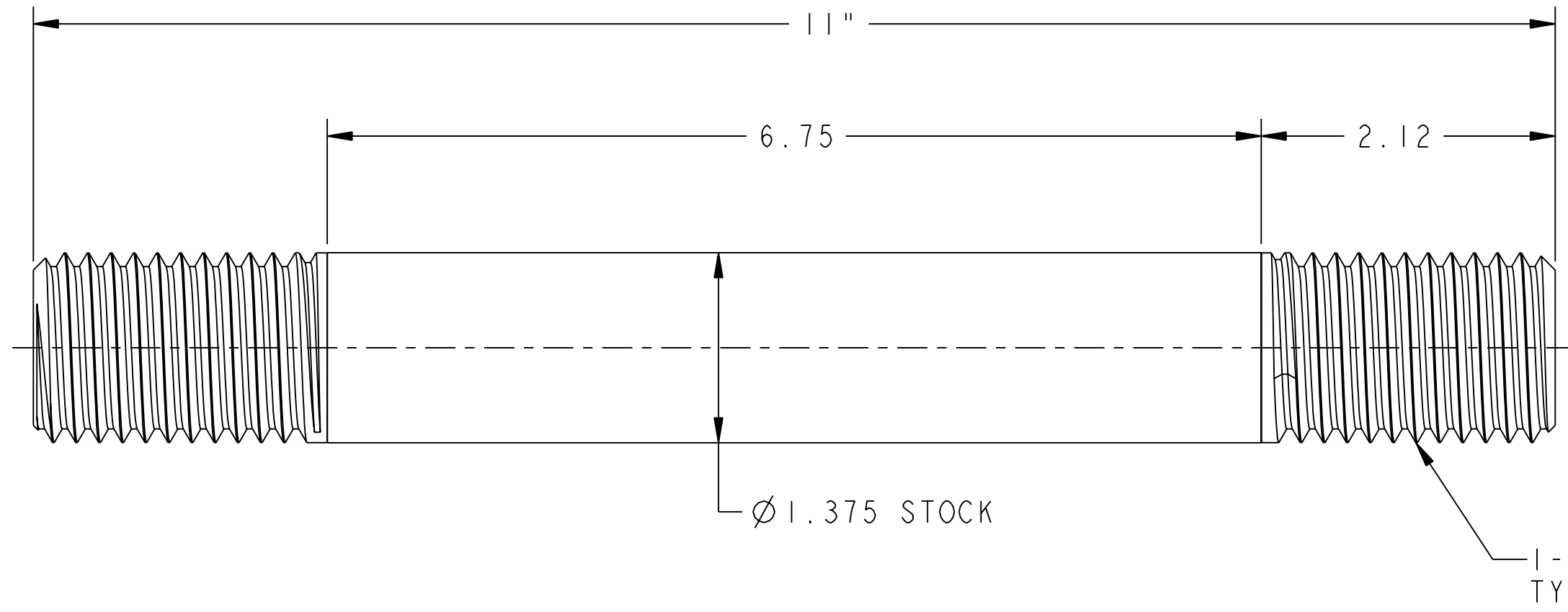


NO.	REVISION	BY	CH	SUP	APPROVED	DATE



**RELEASED FOR
FABRICATION / INSTALLATION**
 PPPL Drafting:

1	THIS DWG	LIFT LINK PIN	SAE J429 GRADE 8	6										
PART NO.	DRAWING NO.	NOMENCLATURE OR DESCRIPTION	MATERIAL	QTY REQD										
PARTS LIST														
COMPUTER GENERATED DRAWING MANUAL CHANGES NOT PERMITTED	CENTRAL FILES: UNLESS OTHERWISE SPECIFIED	PRINCETON PLASMA PHYSICS LABORATORY PRINCETON UNIVERSITY NATIONAL COMPACT STELLARATOR EXPERIMENT FIELD PERIOD ASSEMBLY FIELD PERIOD ASSEMBLY FIXTURE LIFT LINK PIN												
Pro E	DIMENSIONS ARE IN INCHES MACHINE SURFACES $\sqrt{125}$													
DO NOT VERIFY INFORMATION BY SCALING DRAWING	BREAK SHARP EDGES .005/.020													
	TOLERANCES NON-CUMULATIVE	DIV: MECH. ENG.	DATE: 12-4-07											
<u>NEXT ASSEMBLY</u>	<table border="1" style="font-size: x-small;"> <tr> <th>DECIMAL - INCH</th> <th>FRACTIONS</th> </tr> <tr> <td>.X .100</td> <td>0"-12" 1/16</td> </tr> <tr> <td>.XX .030</td> <td>12"-72" 1/8</td> </tr> <tr> <td>.XXX .005</td> <td>72"-120" 1/4</td> </tr> <tr> <td>ANGULAR 0°-15'</td> <td>OVER 120" 1/2</td> </tr> </table>	DECIMAL - INCH	FRACTIONS	.X .100	0"-12" 1/16	.XX .030	12"-72" 1/8	.XXX .005	72"-120" 1/4	ANGULAR 0°-15'	OVER 120" 1/2	ENG: T. BROWN	<u>APPROVED</u> T. BROWN	SC185-325
DECIMAL - INCH	FRACTIONS													
.X .100	0"-12" 1/16													
.XX .030	12"-72" 1/8													
.XXX .005	72"-120" 1/4													
ANGULAR 0°-15'	OVER 120" 1/2													
		DSN: L. MORRIS												
		CHK: M. VIOLA	CHK MV SUPV JS	SHEET 1 OF 1 REV 0										

RELEASE LEVEL: FABRICATION
DWG VERSION NO: 1

WELDING ENGINEER
 APPVD: _____ DATE _____