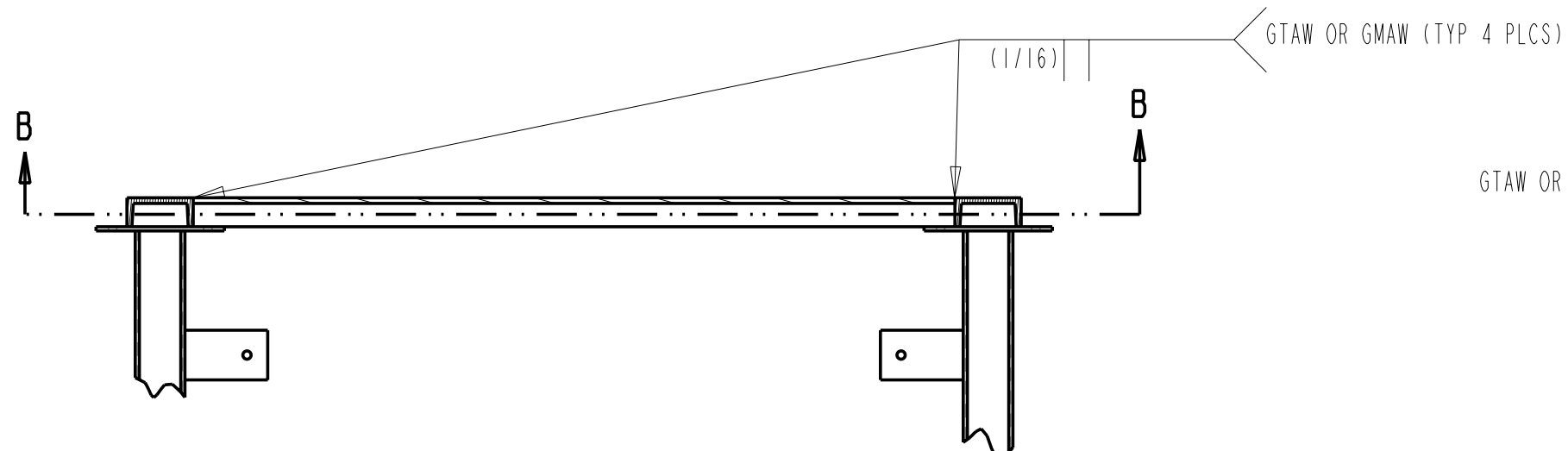
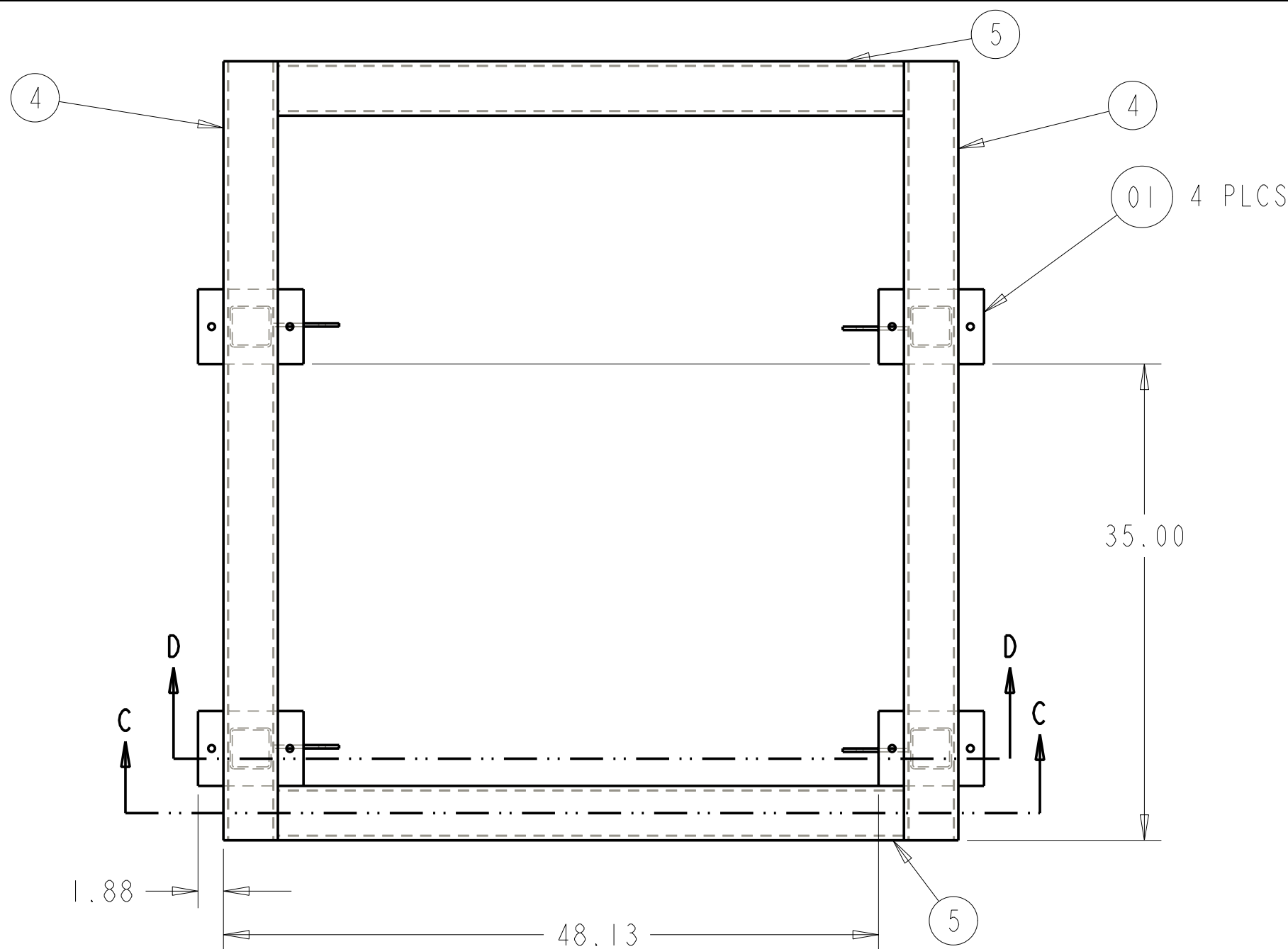
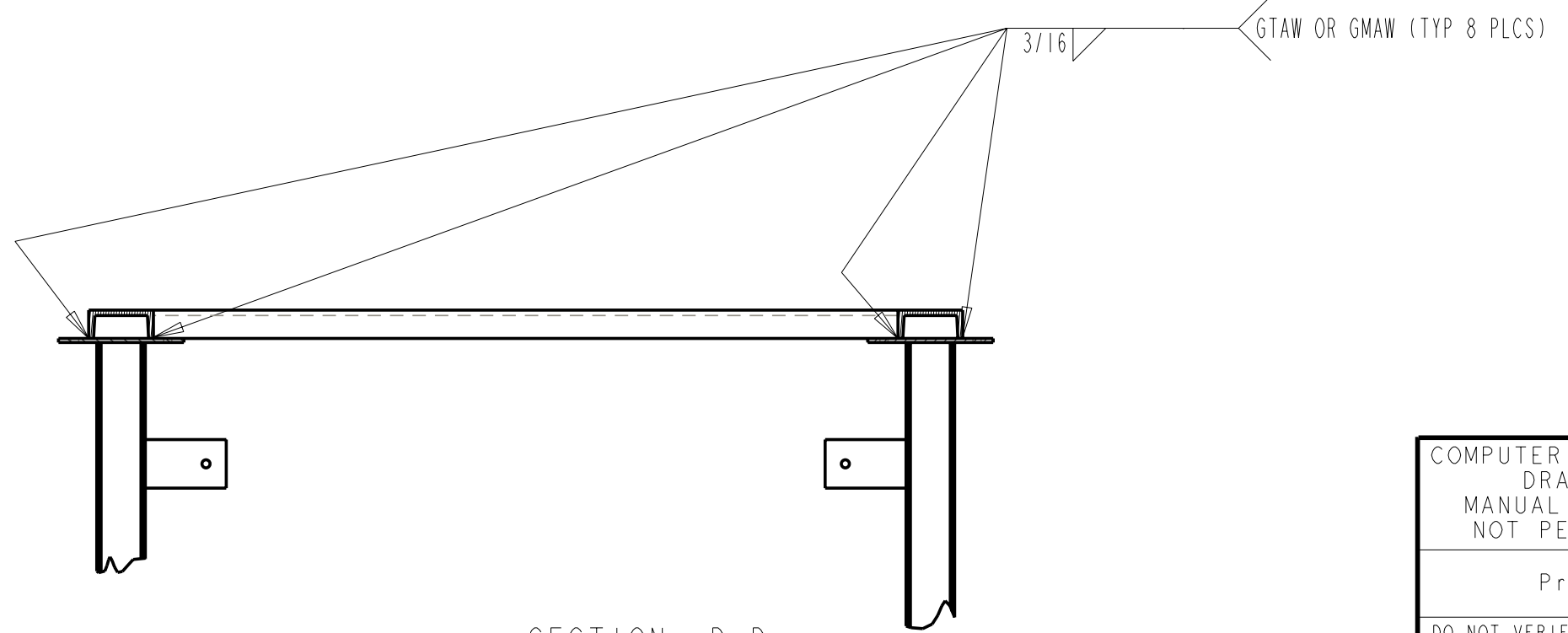


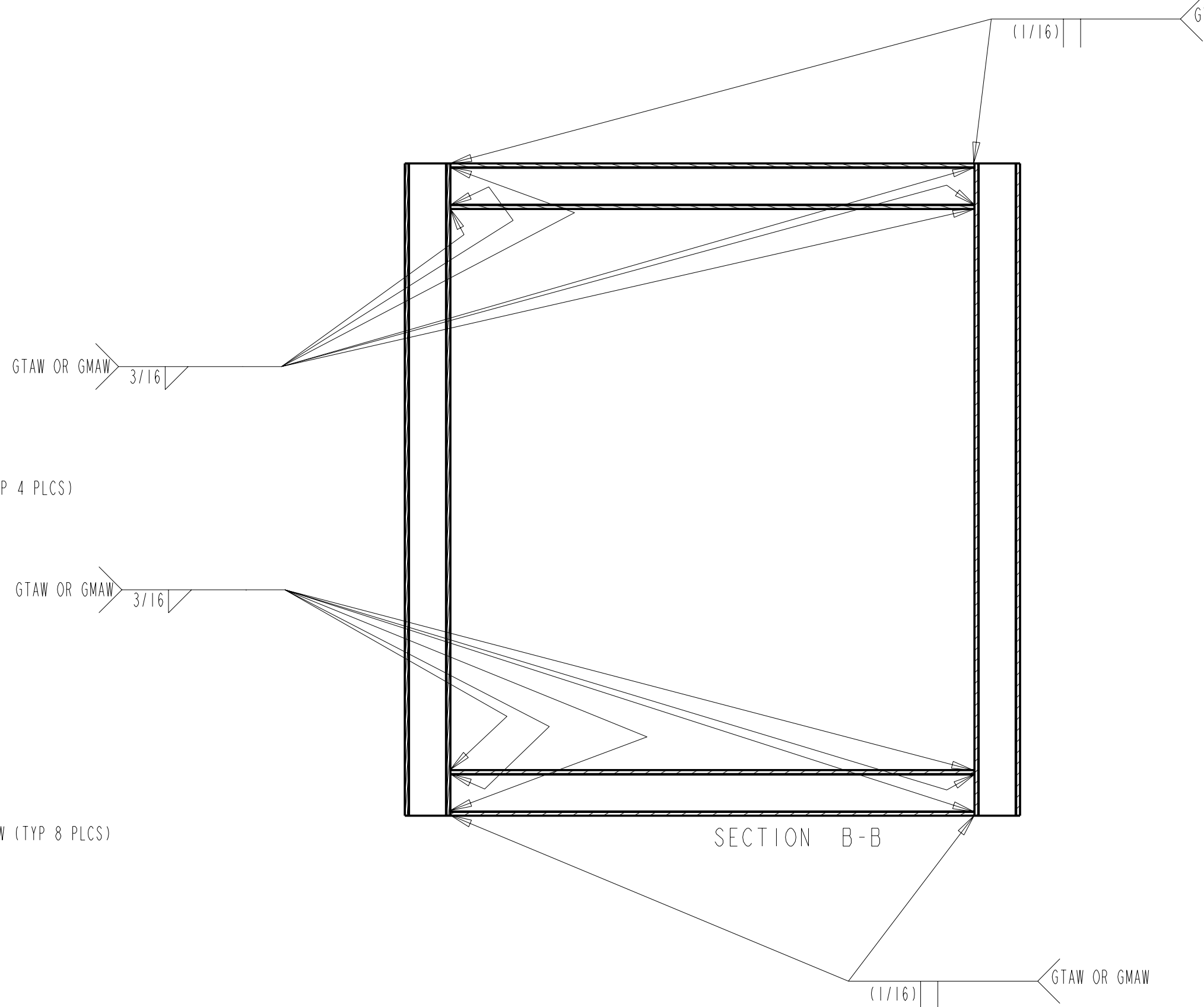
NO.	REVISION	BY	CH	SUP	APPROVED	DATE



SECTION C-C



SECTION D-D



SECTION B-B

RELEASE LEVEL: FABRICATION
 DWG VERSION NO: 3+

DATE: 10-28-05
 WELDING ENGINEER
 APPVD: L. DUDEK DATE 10-31

COMPUTER GENERATED DRAWING MANUAL CHANGES NOT PERMITTED	CENTRAL FILES: UNLESS OTHERWISE SPECIFIED		PRINCETON PLASMA PHYSICS LABORATORY PRINCETON UNIVERSITY NATIONAL COMPACT STELLARATOR EXPERIMENT			
	DIMENSIONS ARE IN INCHES MACHINE SURFACES ¹²⁵		PPPL 900 KW CATERPILLAR GENERATOR EXHAUST SYSTEM STAND STAND WELDMENT			
Pro E	BREAK SHARP EDGES .005/.020		DIV: MECH. ENG.	DATE: 10-31-05	APPROVED	
DO NOT VERIFY INFORMATION BY SCALING DRAWING	TOLERANCES NON-CUMULATIVE		ENG: E. PERRY	E. PERRY		SC633-010
SCALE: 0.10	NEXT ASSEMBLY		DSN: C. PRINISKI	L. MORRIS		
	DECIMAL-INCH	FRACTIONS	CHK: L. MORRIS	CHK L. M.	SUPV	SHEET 2 OF 2
	.X .100	0"-12" 1/16				REV 0
	.XX .030	12"-72" 1/8				
	.XXX .005	72"-120" 1/4				
	ANGULAR 10°-15'	OVER 120" 1/2				