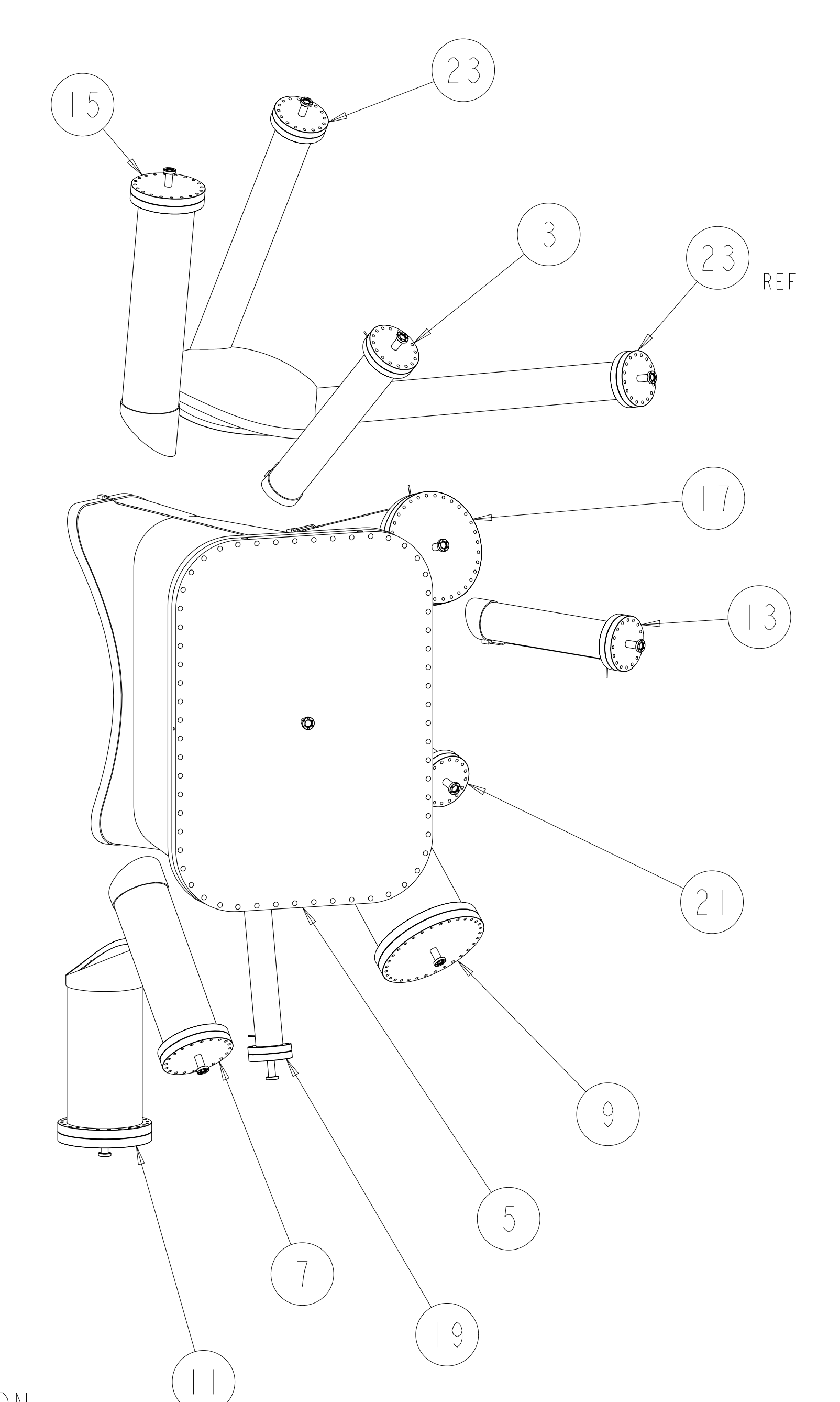
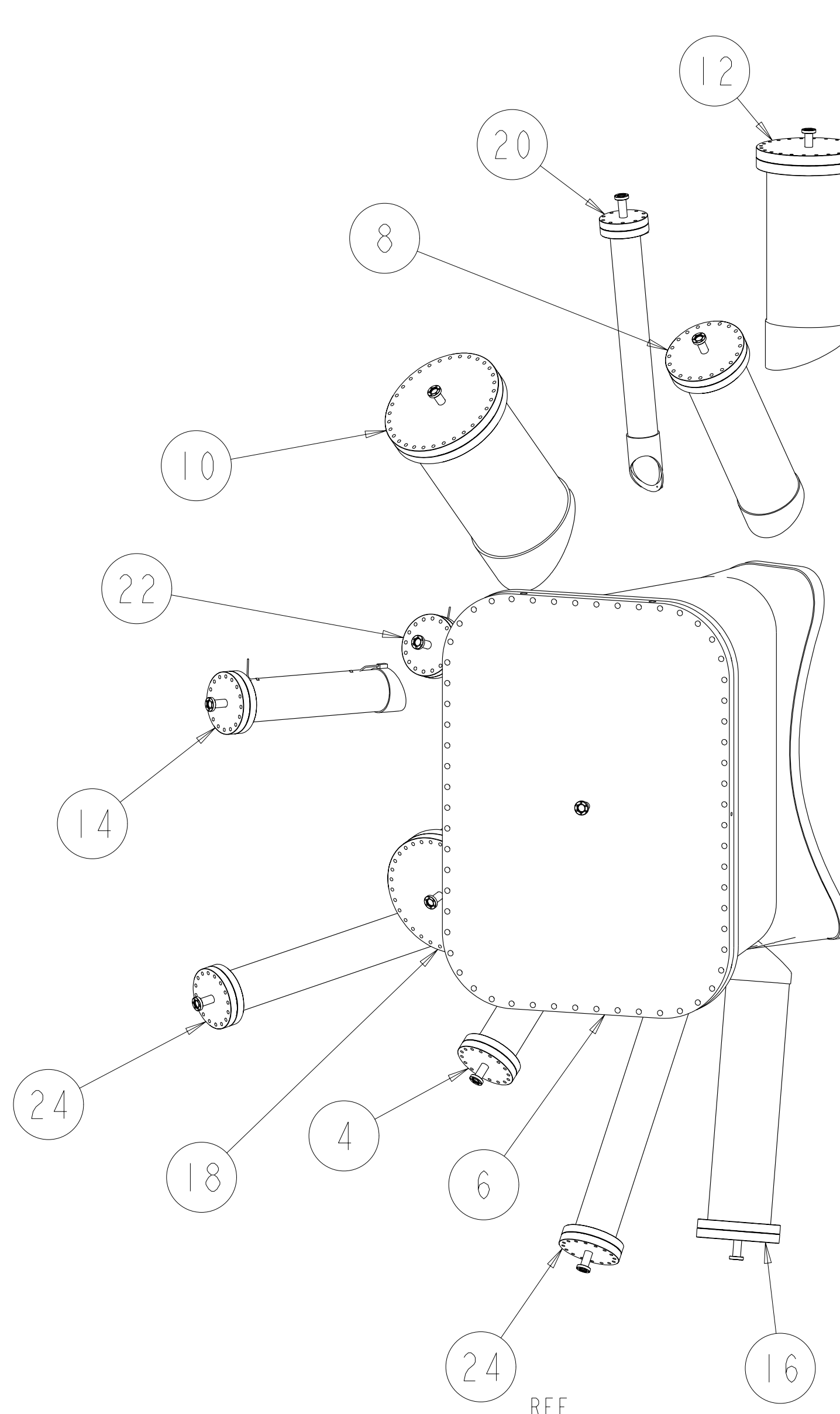
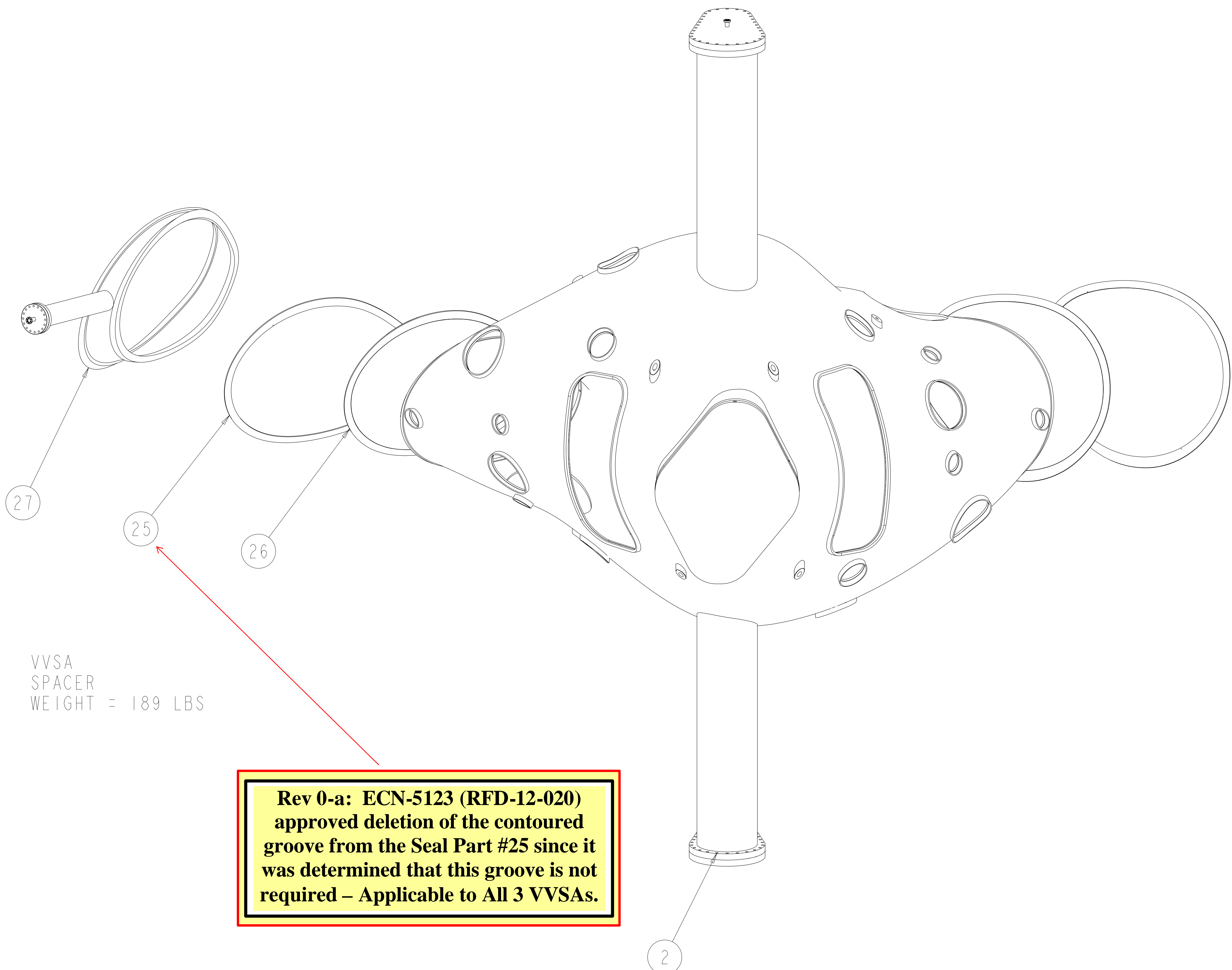


NOTES:

1. INTERPRET DIMENSIONS AND TOLERANCES PER ANSI Y14.5M
2. DIMENSIONS ARE IN INCHES
3. FABRICATION, INSPECTION, AND TESTING SHALL BE PERFORMED IN ACCORDANCE WITH SPECIFICATION NCSX-CSPEC-121-02 AND STATEMENT OF WORK NCSX-SOW-121-03.



Rev 0-a: ECN-5123 (RFD-12-020) approved deletion of the contoured groove from the Seal Part #25 since it was determined that this groove is not required – Applicable to All 3 VVSAs.

SCALE: 0.09

RELEASED FOR FABRICATION / INSTALLATION
PPPL Drafting:

REV	DESCRIPTION	BY	DATE	CHK	DEPT	DATE	PE	REQ	DATE	ORNL	DOE	DATE
1	SEI120-001											

REV	DESCRIPTION	BY	DATE	CHK	DEPT	DATE	PE	REQ	DATE	ORNL	DOE	DATE
1	SEI120-001											

REV	DESCRIPTION	BY	DATE	CHK	DEPT	DATE	PE	REQ	DATE	ORNL	DOE	DATE
1	SEI120-001											

REV	DESCRIPTION	BY	DATE	CHK	DEPT	DATE	PE	REQ	DATE	ORNL	DOE	DATE
1	SEI120-001											

REV	DESCRIPTION	BY	DATE	CHK	DEPT	DATE	PE	REQ	DATE	ORNL	DOE	DATE
1	SEI120-001											

REV	DESCRIPTION	BY	DATE	CHK	DEPT	DATE	PE	REQ	DATE	ORNL	DOE	DATE
1	SEI120-001											

REV	DESCRIPTION	BY	DATE	CHK	DEPT	DATE	PE	REQ	DATE	ORNL	DOE	DATE
1	SEI120-001											

REV	DESCRIPTION	BY	DATE	CHK	DEPT	DATE	PE	REQ	DATE	ORNL	DOE	DATE
1	SEI120-001											

REV	DESCRIPTION	BY	DATE	CHK	DEPT	DATE	PE	REQ	DATE	ORNL	DOE	DATE
1	SEI120-001											

REV	DESCRIPTION	BY	DATE	CHK	DEPT	DATE	PE	REQ	DATE	ORNL	DOE	DATE
1	SEI120-001											

NO REPRESENTATION OR WARRANTY, EXPRESSED OR IMPLIED, IS MADE AS TO THE ACCURACY, COMPLETENESS OR USEFULNESS OF THE INFORMATION OR STATEMENTS CONTAINED IN THESE DRAWINGS, OR THAT THE USE OR DISCLOSURE OF ANY INFORMATION, APPARATUS, METHOD OR PROCESS DISCLOSED IN THESE DRAWINGS MAY NOT INFRINGE PRIVATE RIGHTS OF OTHERS. NO LIABILITY IS ASSUMED WITH RESPECT TO THE USE OF, OR FOR DAMAGES RESULTING FROM THE USE OF, ANY INFORMATION, APPARATUS, METHOD OR PROCESS DISCLOSED IN THESE DRAWINGS. DRAWINGS MADE AVAILABLE FOR INFORMATION TO BIDDER ARE NOT TO BE USED FOR OTHER PURPOSES, AND ARE TO BE RETURNED UPON REQUEST OF THE FORWARDING CONTRACTOR.

P THIS DRAWING PRODUCED ON PRO-ENGINEER

SCALE AS NOTED	DES. P. L. GORANSON 6/04	UT-BATTELLE		Oak Ridge National Laboratory managed for the DEPARTMENT OF ENERGY under U.S. GOVERNMENT contract DE-AC05-00OR22725 UT-BATTELLE, LLC, Oak Ridge, Tennessee	
TOLERANCES UNLESS OTHERWISE SPECIFIED	DRW G. H. JONES 6/04	NATIONAL COMPACT STELLARATOR EXPERIMENT		VACUUM VESSEL SUB ASSEMBLY (VVSA)	
FRACTIONS : DEPT : :	CHK M. J. COLE 6/04	PPPL DRFT J. SIEGEL 6/04		VERSION NO. :	PLANT X-10
XX DECIMALS ±.01		PPPL DRFT J. SIEGEL 6/04		BLDG 5700	FL 3
XXX DECIMALS ±.005		PPPL DRFT J. SIEGEL 6/04		SHT 1	TYPE A
ANGLES ±0°15'		PPPL DRFT J. SIEGEL 6/04		RELEASE LEVEL :	SEI20-002
BREAK SHARP EDGES .06 MAX		PPPL DRFT J. SIEGEL 6/04		REVISION :	1
FINISH .125 UNLESS OTHERWISE SPECIFIED		PPPL DRFT J. SIEGEL 6/04		DRAWING APPROVALS :	