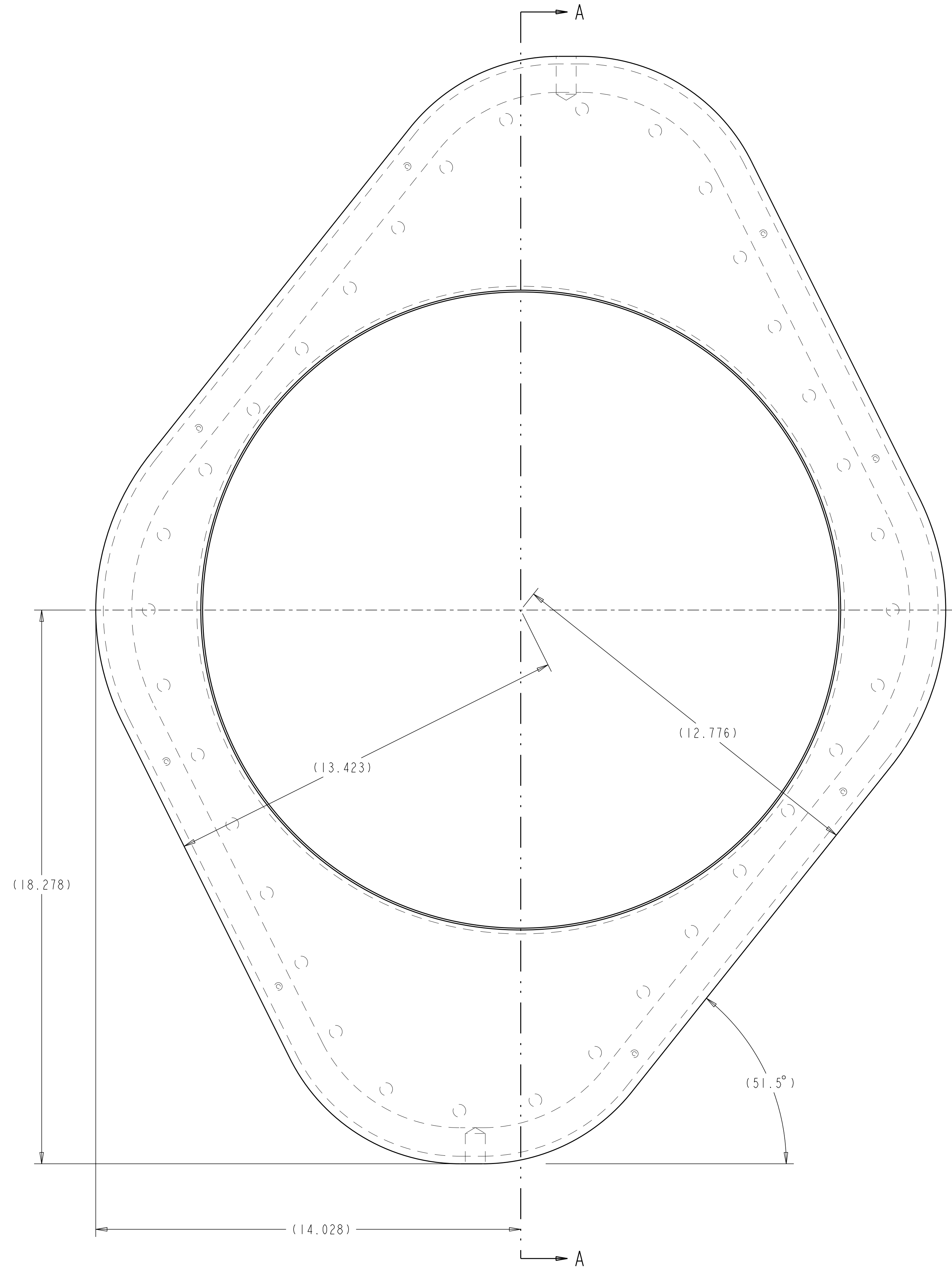
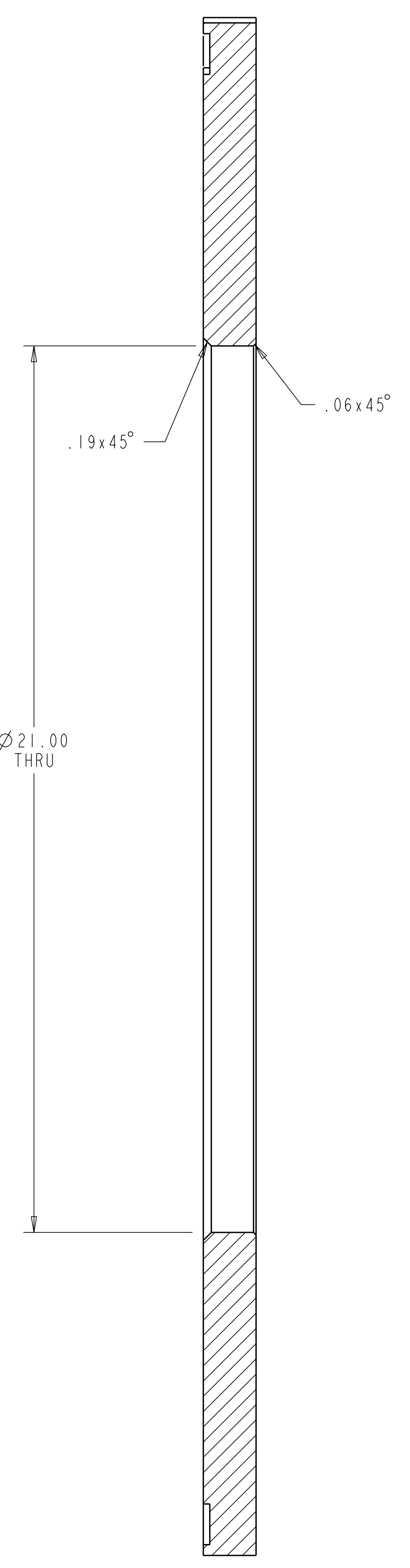
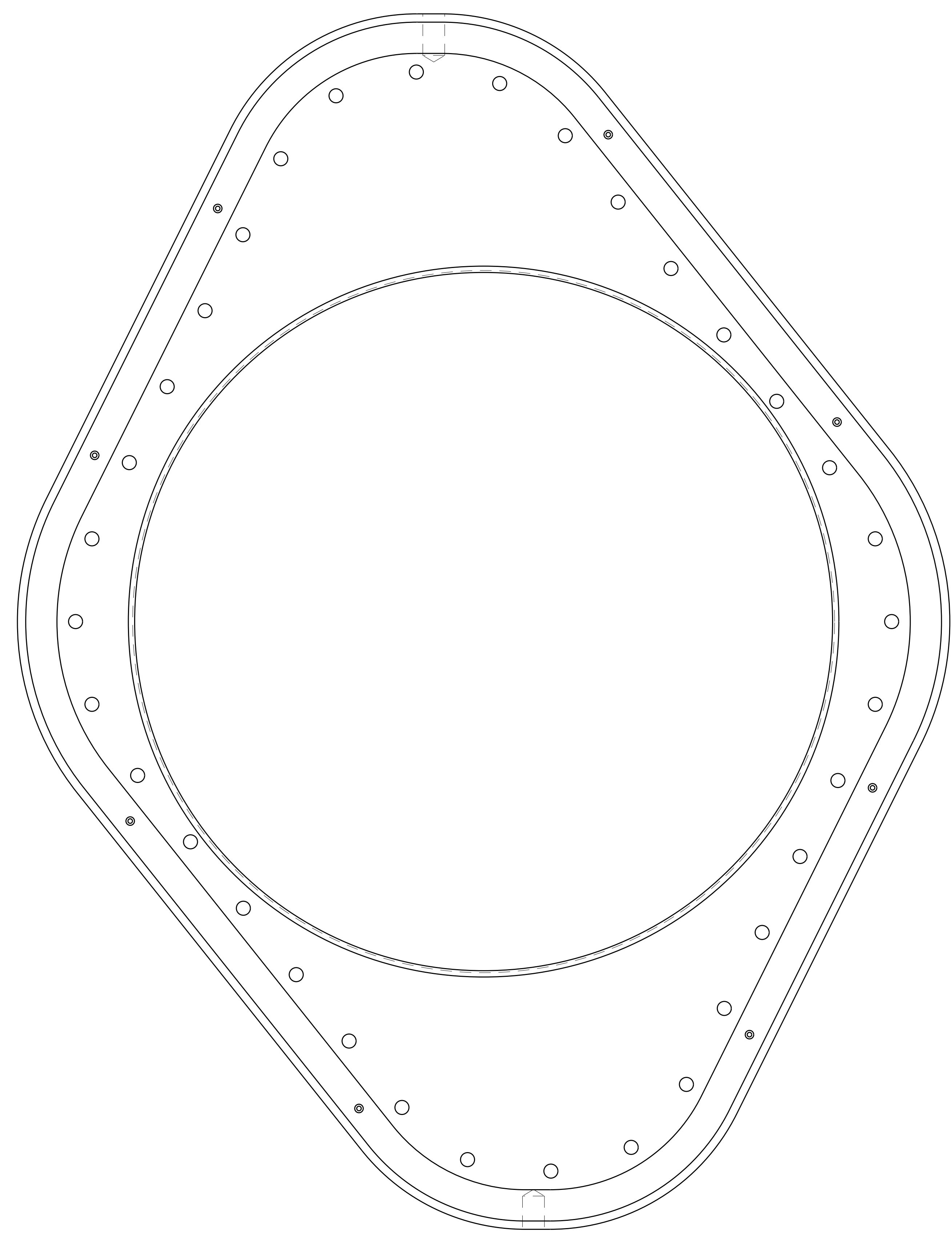


NOTES  
1. INTERPRET DIMENSIONS AND TOLERANCES PER ANSI Y14.5M.  
2. DIMENSIONS ARE IN INCHES



SCALE 0.50

**RELEASED FOR FABRICATION / INSTALLATION**  
PPPL Drafting:

AR	-1	PORT COVER MODIFICATION	SE122-172-1		
SE121-131					
CAGE CODE	PART OR IDENTIFYING NO	NOMENCLATURE OR DESCRIPTION	MATERIAL	SPECIFICATION	FIND NO
	NEXT ASSEMBLY		PARTS LIST		

NO REPRESENTATION OR WARRANTY, EXPRESSED OR IMPLIED, IS MADE AS TO THE ACCURACY, COMPLETENESS OR USEFULNESS OF THE INFORMATION OR STATEMENTS CONTAINED IN THESE DRAWINGS, OR THAT THE USE OR DISCLOSURE OF ANY INFORMATION, APPARATUS, METHOD OR PROCESS DISCLOSED IN THESE DRAWINGS MAY NOT INFRINGE PRIVATE RIGHTS OF OTHERS. NO LIABILITY IS ASSUMED WITH RESPECT TO THE USE OF, OR FOR DAMAGES RESULTING FROM THE USE OF, ANY INFORMATION, APPARATUS, METHOD OR PROCESS DISCLOSED IN THESE DRAWINGS. DRAWINGS MADE AVAILABLE FOR INFORMATION TO BIDDER ARE NOT TO BE USED FOR OTHER PURPOSES, AND ARE TO BE RETURNED UPON REQUEST OF THE FORWARDING CONTRACTOR.

**P** THIS DRAWING PRODUCED ON PRO-ENGINEER

REV	DESCRIPTION	BY	DATE	CHK	DEPT	DATE	PE	REQ	DATE	ORNL	DOE	DATE
0	ORIGINAL ISSUE											
	REVISION OR ISSUE PURPOSE											

SCALE NOTED	DES P GORANSON 06/05	UT-BATTELLE	Oak Ridge National Laboratory
TOLERANCES UNLESS OTHERWISE SPECIFIED	DRW MT BROWN 06/05		Managed for the DEPARTMENT OF ENERGY under U.S. GOVERNMENT contract #E-AC05-00OR22725
FRACTIONS	CHK D.B. RAINEY 08/05		UT-BATTELLE, LLC Oak Ridge, Tennessee
XX DECIMALS ±.03			
XXX DECIMALS ±.005			
ANGLES ±0°15'			
BREAK SHARP EDGES .06 MAX			
FINISH ±.025 UNLESS OTHERWISE SPECIFIED			
	PPPL DFT J SIEGEL 10/05		
		VERSION NO. 2	PLANT ORNL
		BLDG 5700	FL 3
		SHT 1	OF 1
		TYPE I	CLASS S
		RELEASE LEVEL Fabrication	
		SE121-132	
			REV 0

SE121-132

A