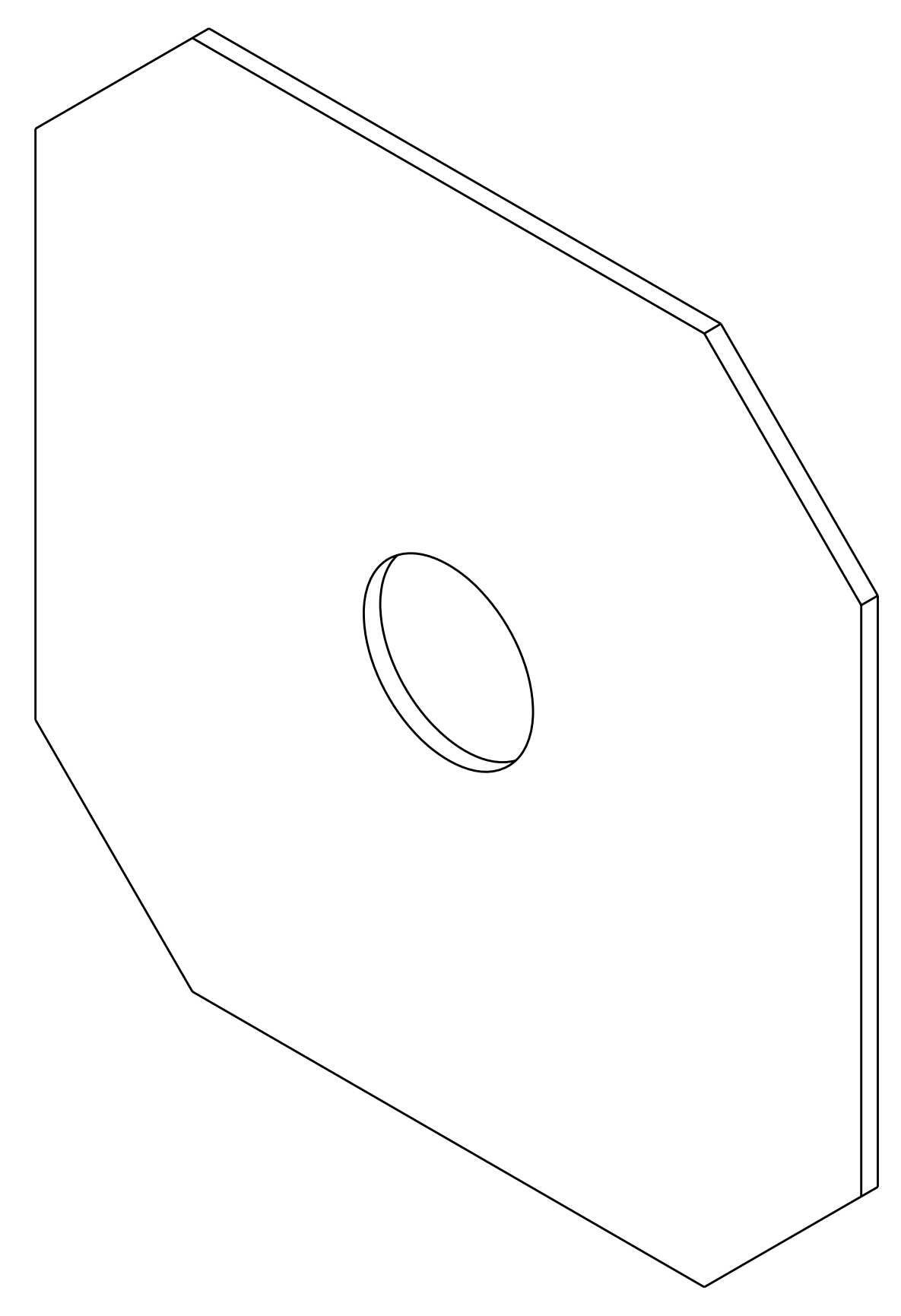
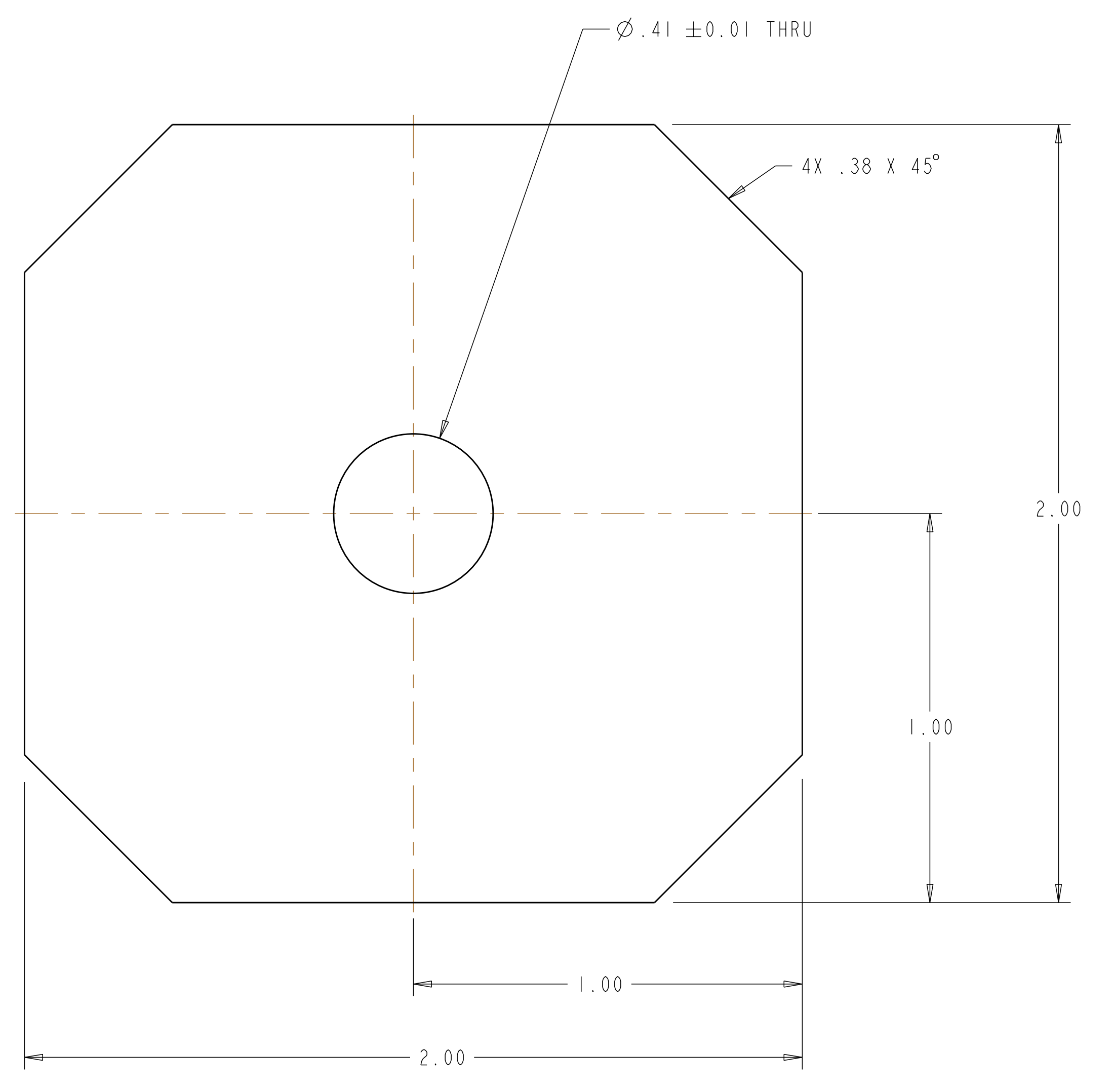


- NOTES
1. DRAWING PREPARED IN ACCORDANCE WITH ASME Y14.100-2004.
  2. INTERPRET DIMENSIONS AND TOLERANCES PER ASME Y14.5M-1994.
  3. DIMENSIONS ARE IN INCHES
  4. MAGNETIC PERMEABILITY NOT TO EXCEED 1.02 AS TESTED BY A SEVERN INDICATOR. AVAILABLE FROM:  
 SEVERN ENGINEERING  
 AUBURN, ALABAMA 36830  
 WWW.SEVERNGINEERING.COM

NOTE ALL 2 PLACE DECIMAL DIMENSIONS ARE TOL = ±0.03 EXCEPT WHERE NOTED



ISOMETRIC VIEW

**RELEASED FOR  
 FABRICATION / INSTALLATION**  
 PPPL Drafting:

**-1 INSULATION RETAINER**  
 SCALE 4.000

AR	-1	INSULATION RETAINER	20 GA (.036 THK) 316 SST	ASTM A240	I
CAGE CODE	PART OR IDENTIFYING NO	NOMENCLATURE OR DESCRIPTION	MATERIAL	SPECIFICATION	FIND NO
SE122-082-1		NEXT ASSEMBLY	PARTS LIST		

NO REPRESENTATION OR WARRANTY, EXPRESSED OR IMPLIED, IS MADE AS TO THE ACCURACY, COMPLETENESS OR USEFULNESS OF THE INFORMATION OR STATEMENTS CONTAINED IN THESE DRAWINGS, OR THAT THE USE OR DISCLOSURE OF ANY INFORMATION, APPARATUS, METHOD OR PROCESS DISCLOSED IN THESE DRAWINGS MAY NOT INFRINGE PRIVATE RIGHTS OF OTHERS. NO LIABILITY IS ASSUMED WITH RESPECT TO THE USE OF, OR FOR DAMAGES RESULTING FROM THE USE OF, ANY INFORMATION, APPARATUS, METHOD OR PROCESS DISCLOSED IN THESE DRAWINGS. DRAWINGS MADE AVAILABLE FOR INFORMATION TO BIDDERS ARE NOT TO BE USED FOR OTHER PURPOSES, AND ARE TO BE RETURNED UPON REQUEST OF THE FORWARDING CONTRACTOR.

**P** THIS DRAWING PRODUCED ON PRO-ENGINEER

REV	DESCRIPTION	BY	DATE	CHK	DEPT	DATE	PE	REQ	DATE	ORNL	DOE	DATE
0	ORIGINAL ISSUE	GWM	01/07	SP		01/07						
	REVISION OR ISSUE PURPOSE											

SCALE NOTED	DES: PL GORANSON 01/07
TOLERANCES UNLESS OTHERWISE SPECIFIED	DRW: G MCGINNIS 01/07
FRACTIONS	CHK: S PARSON 01/07
XX DECIMALS ±.03	SECT: :
XXX DECIMALS ±.005	DEPT: :
ANGLES ±0°15'	PE: :
BREAK SHARP EDGES .06 MAX	CR: :
FINISH .125 UNLESS OTHERWISE SPECIFIED	PJ: :
	RD: :
	PPPL DRFT J SIEGEL 01/07
	VERSION NO. 4
	PLANT ORNL
	BLDG 5700
	FL 3
	SHT OF 1
	TYPE I
	CLASS S
	REV U
	0

<b>UT-BATTELLE</b> Oak Ridge National Laboratory managed for the DEPARTMENT OF ENERGY under U.S. GOVERNMENT contract DE-AC05-00OR22725 UT-BATTELLE, LLC. Oak Ridge, Tennessee PROJECT NAME <b>NATIONAL COMPACT STELLARATOR EXPERIMENT</b>	
<b>INSULATION RETAINER</b>	
RELEASE LEVEL Fabrication	SE122-083

H  
G  
F  
E  
D  
C  
B  
A

H  
G  
F  
E  
D  
C  
B  
A