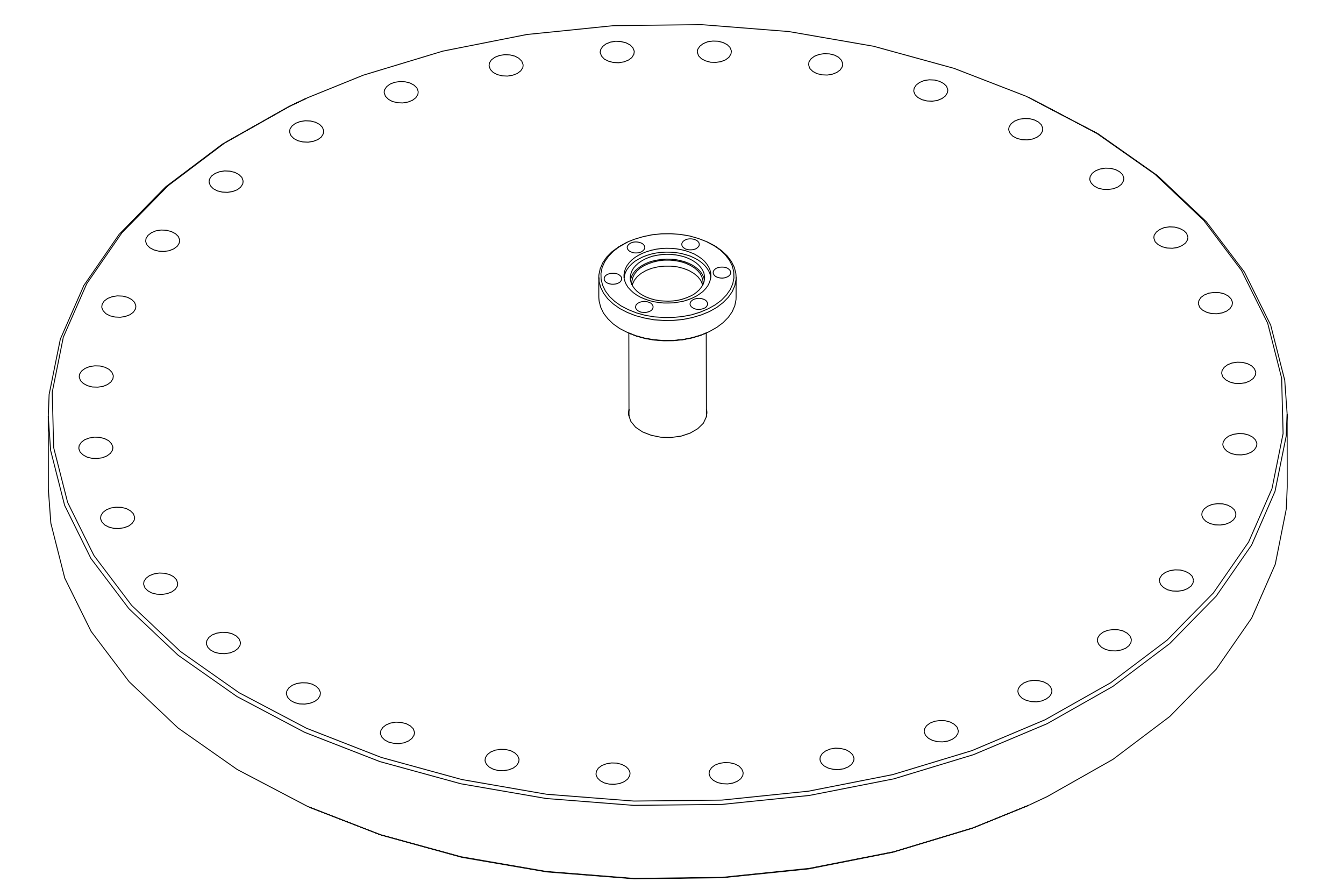
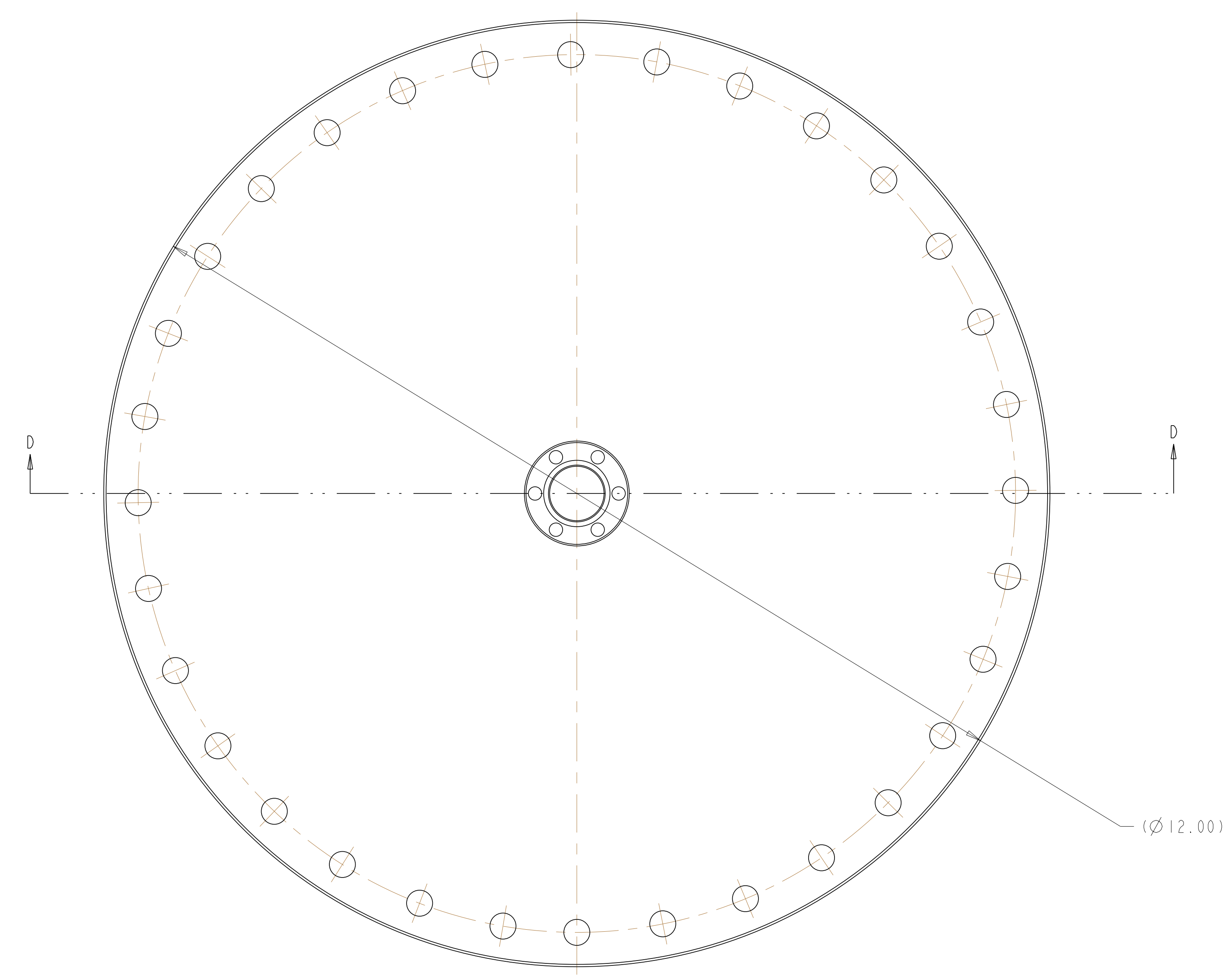
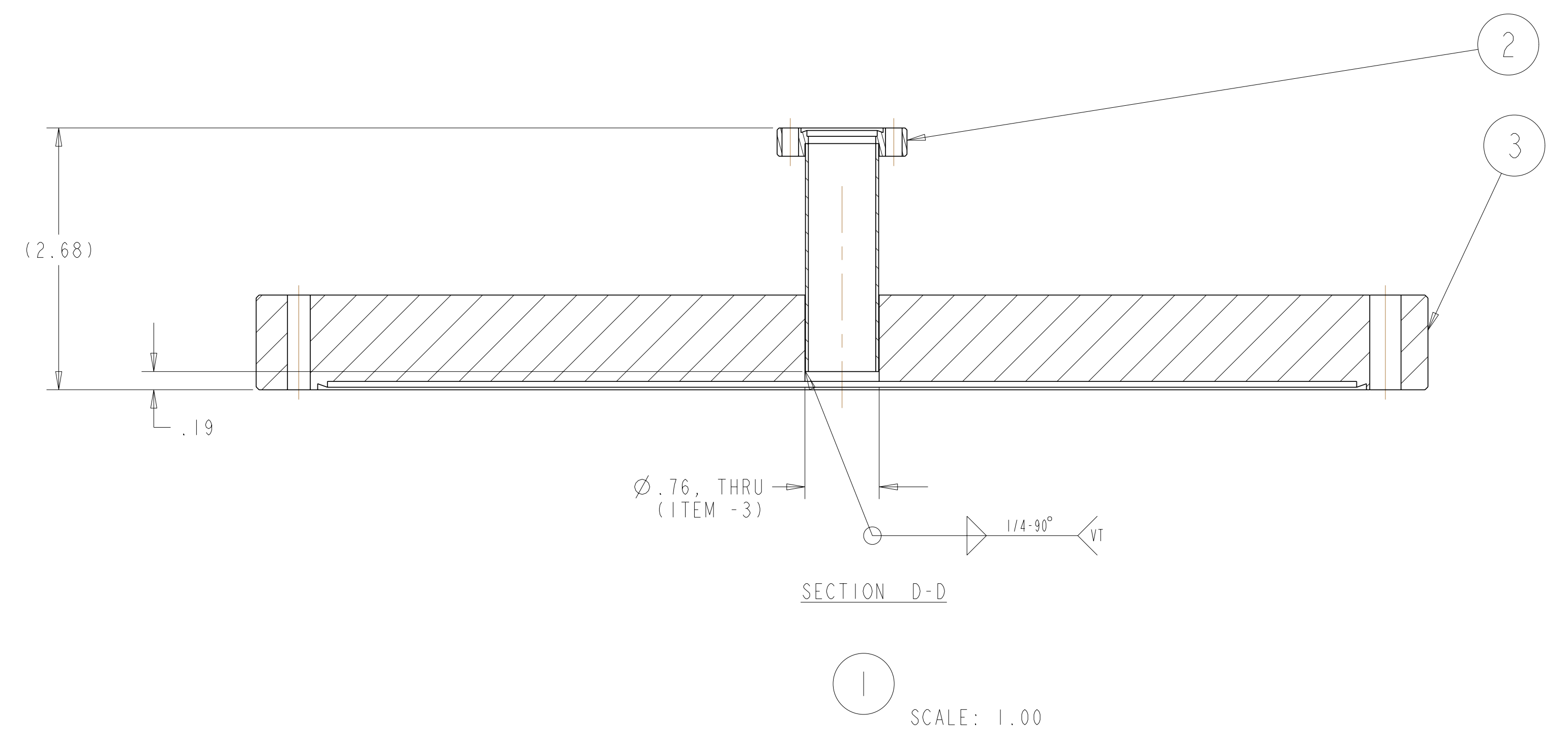


- NOTES:
1. INTERPRET DIMENSIONS AND TOLERANCES PER ANSI Y14.5M.
 2. DIMENSION ARE IN INCHES.
 3. FABRICATION, INSPECTION, AND TESTING SHALL BE PERFORMED IN ACCORDANCE WITH SPECIFICATION NCSX-CSPEC-121-02 AND STATEMENT OF WORK NCSX-SOW-121-03.
 4. LEAK CHECK ITEM -2 (HALF NIPPLE) IS OPTIONAL.



ISOMETRIC VIEW



AR	CAGE CODE	PART OR IDENTIFYING NO	NOMENCLATURE OR DESCRIPTION	MATERIAL	SPECIFICATION	FIND NO
		-4	WELD, FILLER METAL			4
	I	110058	Ø12 NON-ROTATABLE BLANK DEL-SEAL CF FLANGE	MDC VACUUM PRODUCTS CORP. 23842 CABBOT BOULEVARD HAYWARD, CA. 94545-1651 OR EQUIVALENT		3
	I	401021	HALF NIPPLE 1/3 DEL-SEAL CF CUSTOM LENGTH 2.50"			2
AR	X	-1	12 IN COVER TEST FLANGE WELDMENT			1
SE120-004						

← NEXT ASSEMBLY

WELDING ENGINEER
 APPROVED R. PARSELLS DATE: 6/04

RELEASED FOR FABRICATION / INSTALLATION
 PPPL Drafting:

NO REPRESENTATION OR WARRANTY, EXPRESSED OR IMPLIED, IS MADE AS TO THE ACCURACY, COMPLETENESS OR USEFULNESS OF THE INFORMATION OR STATEMENTS CONTAINED IN THESE DRAWINGS, OR THAT THE USE OR DISCLOSURE OF ANY INFORMATION, APPARATUS, METHOD OR PROCESS DISCLOSED IN THESE DRAWINGS MAY NOT INFRINGE PRIVATE RIGHTS OF OTHERS. NO LIABILITY IS ASSUMED WITH RESPECT TO THE USE OF, OR FOR DAMAGES RESULTING FROM THE USE OF, ANY INFORMATION, APPARATUS, METHOD OR PROCESS DISCLOSED IN THESE DRAWINGS. DRAWINGS MADE AVAILABLE FOR INFORMATION TO BIDDER ARE NOT TO BE USED FOR OTHER PURPOSES, AND ARE TO BE RETURNED UPON REQUEST OF THE FORWARDING CONTRACTOR.

P THIS DRAWING PRODUCED ON PRO-ENGINEER

REV	DESCRIPTION	BY	DATE	CHK	DEPT	DATE	PE	REQ	DATE	ORNL	DOE	DATE
I	ADDED NOTE 4											
	REVISED PER ECN-4945	GHJ	2/28/05	MJC								

SCALE	NOTED	DES	PL	GORANSON	8/03
		DRW	G.H. JONES	8/03	
		CHK	D SPARKS	6/04	
		SECT			
		DEPT			
		PE			
		CR			
		PJ			
		REO			
		PPPL DRFT	J. SIEGEL	6/04	
		VERSION NO.			
		PLANT	X-10		
		BLDG	5700		
		FL	03		
		SHT	1		
		OF	1		
		TYPE	S		
		CLASS	U		
		RELEASE LEVEL			
		Fabrication			
		DRAWING APPROVALS			
		DATE			

UT-BATTELLE
 NATIONAL COMPACT STELLARATOR EXPERIMENT
 VACUUM VESSEL
 12 IN COVER TEST FLANGE
 DETAIL
 SE122-112

H
G
F
E
D
C
B
A
 SE122-112