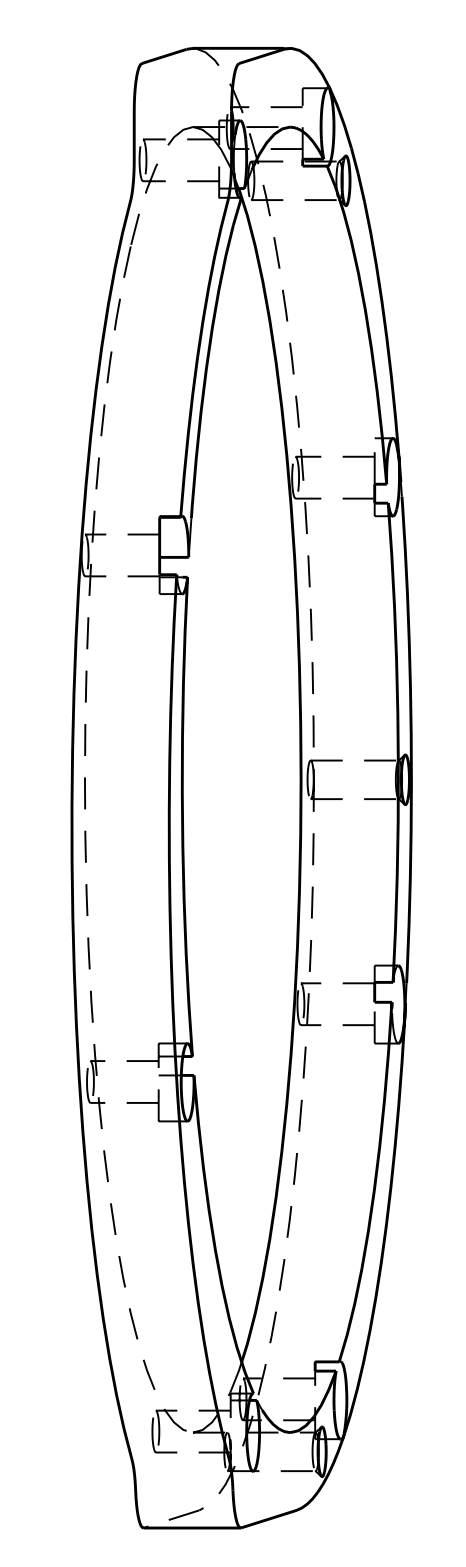
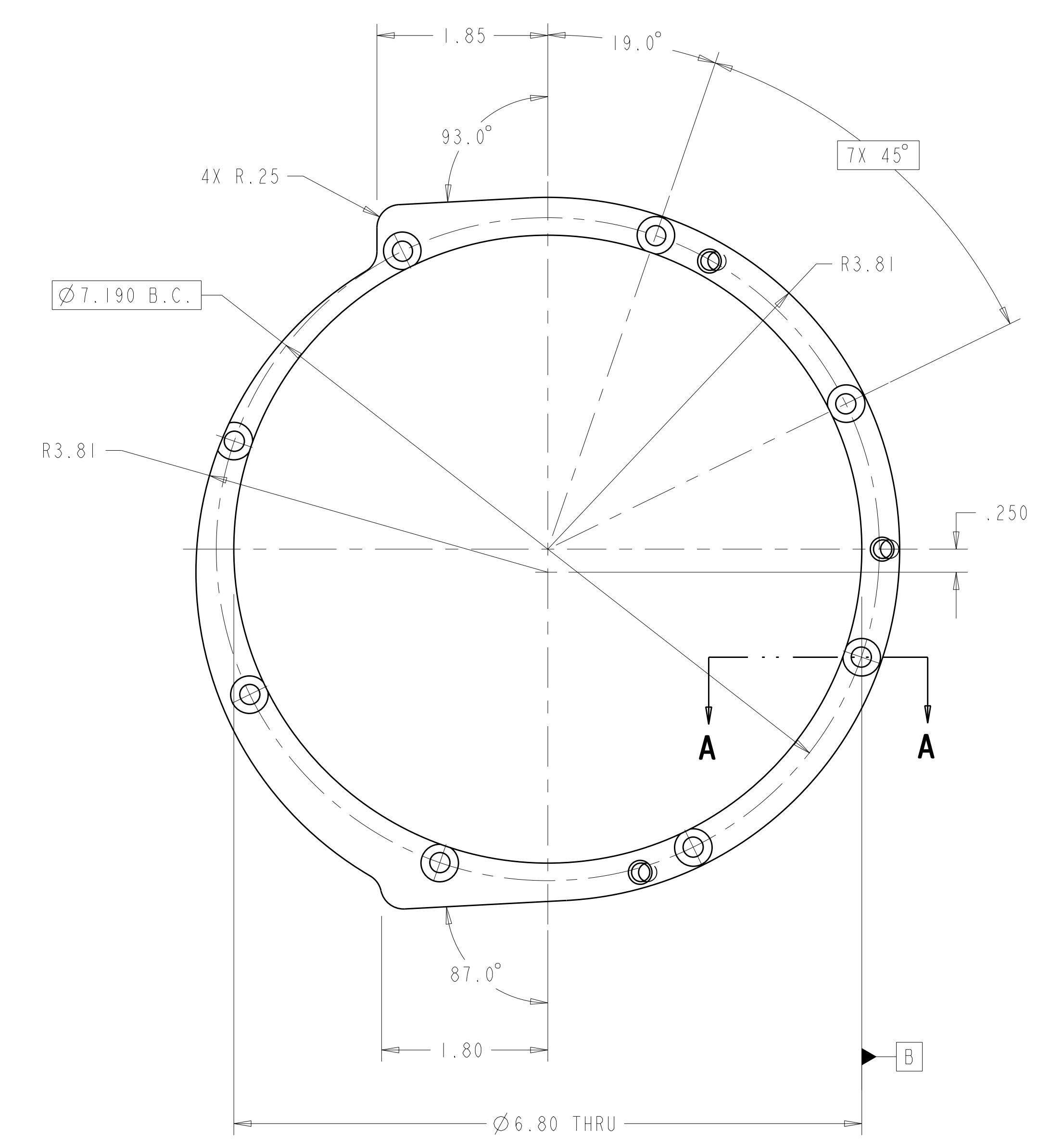
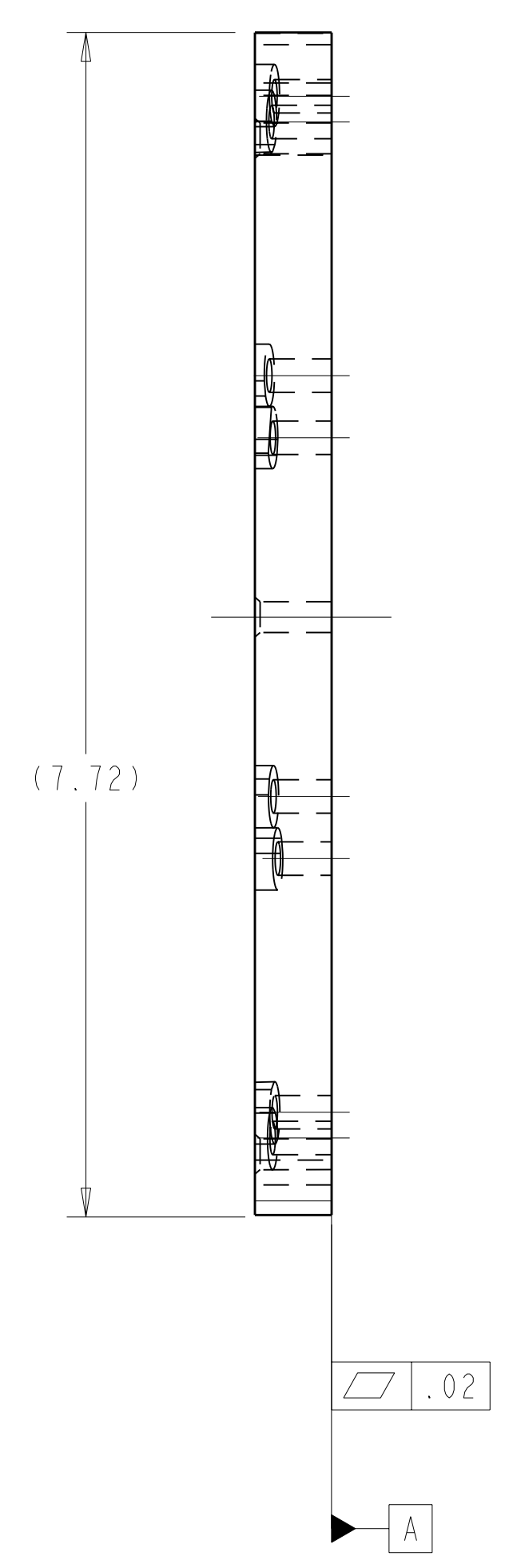
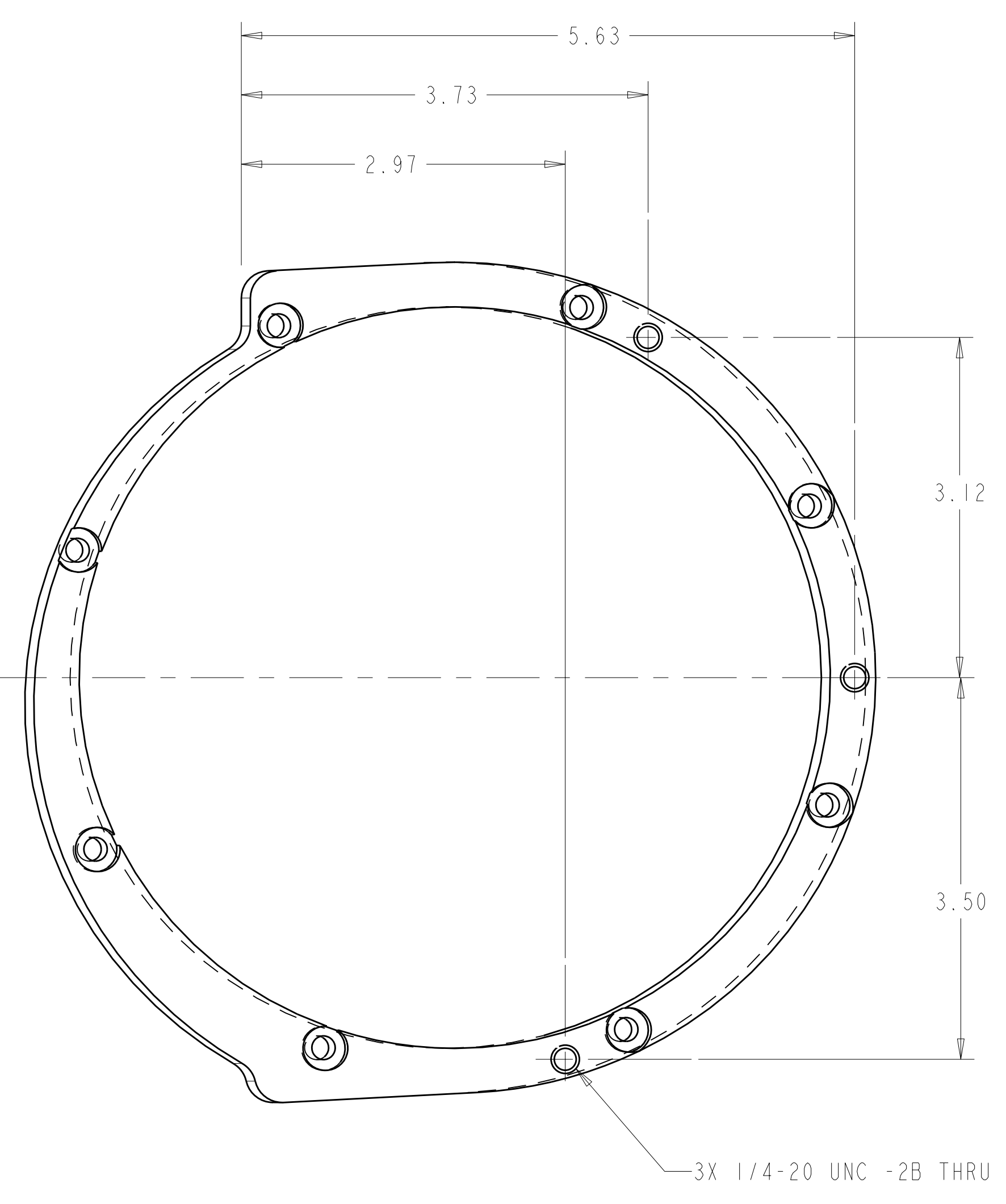
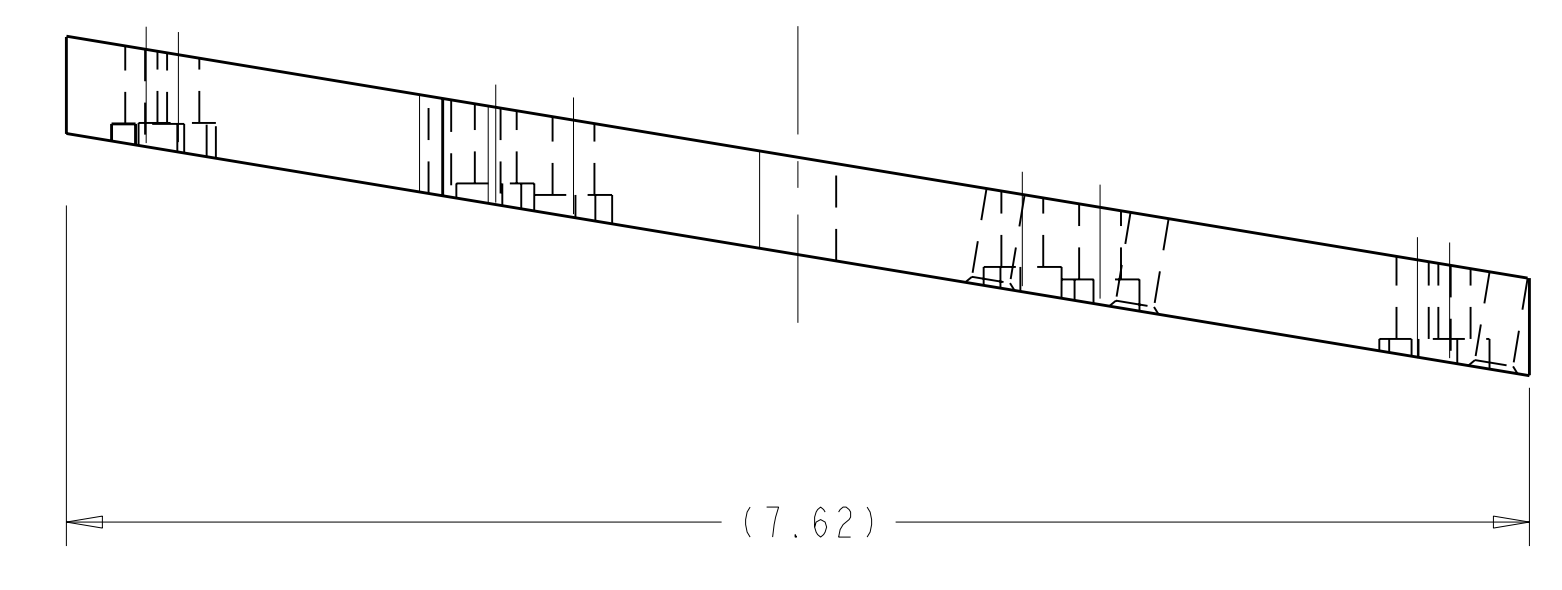
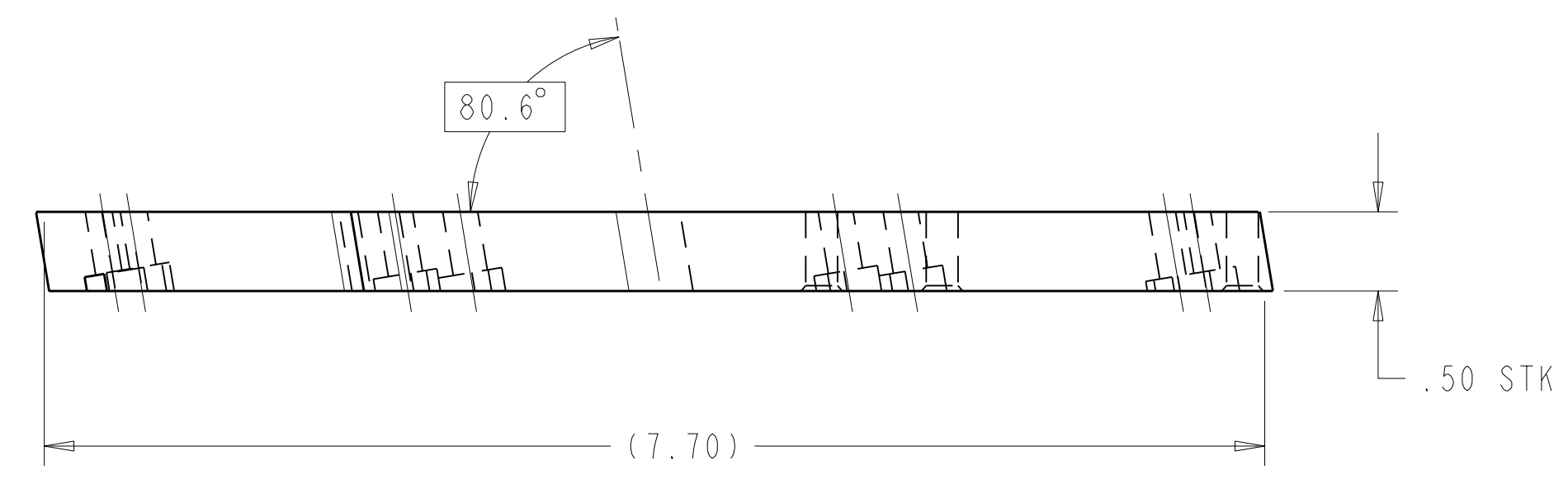


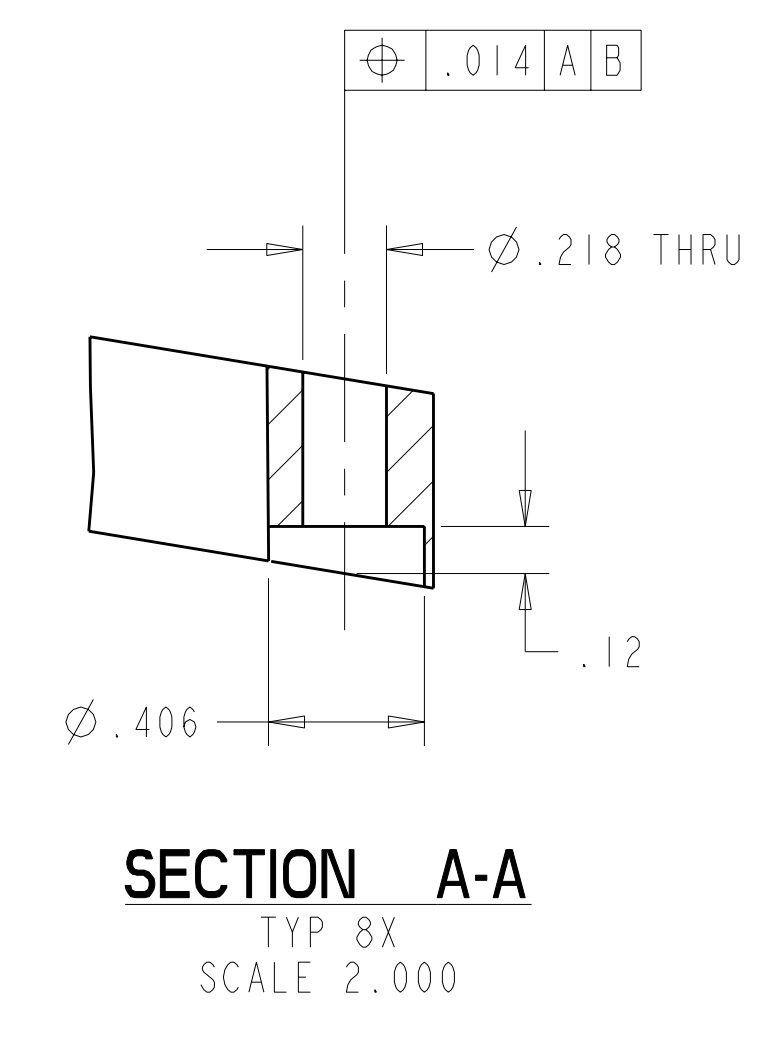
- NOTES
1. DRAWING PREPARED IN ACCORDANCE WITH ASME Y14.100-2004.
  2. INTERPRET DIMENSIONS AND TOLERANCES PER ASME Y14.5M-1994.
  3. DIMENSIONS ARE IN INCHES.
  4. PART TO BE MANUFACTURED FROM PRO/ENGINEER DATA FILE SE122-341.PRT. DIMENSIONS SHOWN ARE FOR PART VERIFICATION ONLY.



FLAT ORIENTATION

INSTALLED ORIENTATION

-1 PORT 2 WINDING FORM SEAL OUTER PLATE [4]  
SCALE 1.000



SECTION A-A  
TYP 8X  
SCALE 2.000

**RELEASED FOR FABRICATION / INSTALLATION**  
PPPL Drafting:

CAGE CODE	PART OR IDENTIFYING NO	NOMENCLATURE OR DESCRIPTION	MATERIAL	SPECIFICATION	FIND NO
AR	-1	PORT 2 WINDING FORM SEAL OUTER PLATE	GAROLITE	G-11	1
NEXT ASSEMBLY PARTS LIST					

NO REPRESENTATION OR WARRANTY, EXPRESSED OR IMPLIED, IS MADE AS TO THE ACCURACY, COMPLETENESS OR USEFULNESS OF THE INFORMATION OR STATEMENTS CONTAINED IN THESE DRAWINGS, OR THAT THE USE OR DISCLOSURE OF ANY INFORMATION, APPARATUS, METHOD OR PROCESS DISCLOSED IN THESE DRAWINGS MAY NOT INFRINGE PRIVATE RIGHTS OF OTHERS. NO LIABILITY IS ASSUMED WITH RESPECT TO THE USE OF, OR FOR DAMAGES RESULTING FROM THE USE OF, ANY INFORMATION, APPARATUS, METHOD OR PROCESS DISCLOSED IN THESE DRAWINGS. DRAWINGS MADE AVAILABLE FOR INFORMATION TO BIDDER ARE NOT TO BE USED FOR OTHER PURPOSES, AND ARE TO BE RETURNED UPON REQUEST OF THE FORWARDING CONTRACTOR.

**P** THIS DRAWING PRODUCED ON PRO-ENGINEER

SCALE NOTED		DES P. L. GORANSON 01/07	Oak Ridge National Laboratory managed for the DEPARTMENT OF ENERGY under U.S. GOVERNMENT contract DE-AC05-00OR22725 UT-BATTELLE, LLC, Oak Ridge, Tennessee							
TOLERANCES UNLESS OTHERWISE SPECIFIED		DRW R. A. HURD 01/07	<b>UT-BATTELLE</b> PROJECT NAME: <b>NATIONAL COMPACT STELLARATOR EXPERIMENT</b>							
FRACTIONS : XX DECIMALS ±.01 XXX DECIMALS ±.005 ANGLES ±0°15' BREAK SHARP EDGES OR MAX FINISH : .125 UNLESS OTHERWISE SPECIFIED		CHK S. PARSON 01/07								
REV 0 ORIGINAL ISSUE		PPPL DRFT J. SIEGEL 01/07	VERSION NO. 6	PLANT ORNL	BLDG 5700	FL 3	SHT 1	OF 1	TYPE I	CLASS S
REVISION OR ISSUE PURPOSE		REVISION APPROVAL	RELEASE LEVEL Fabrication	SE122-341		REV 0				