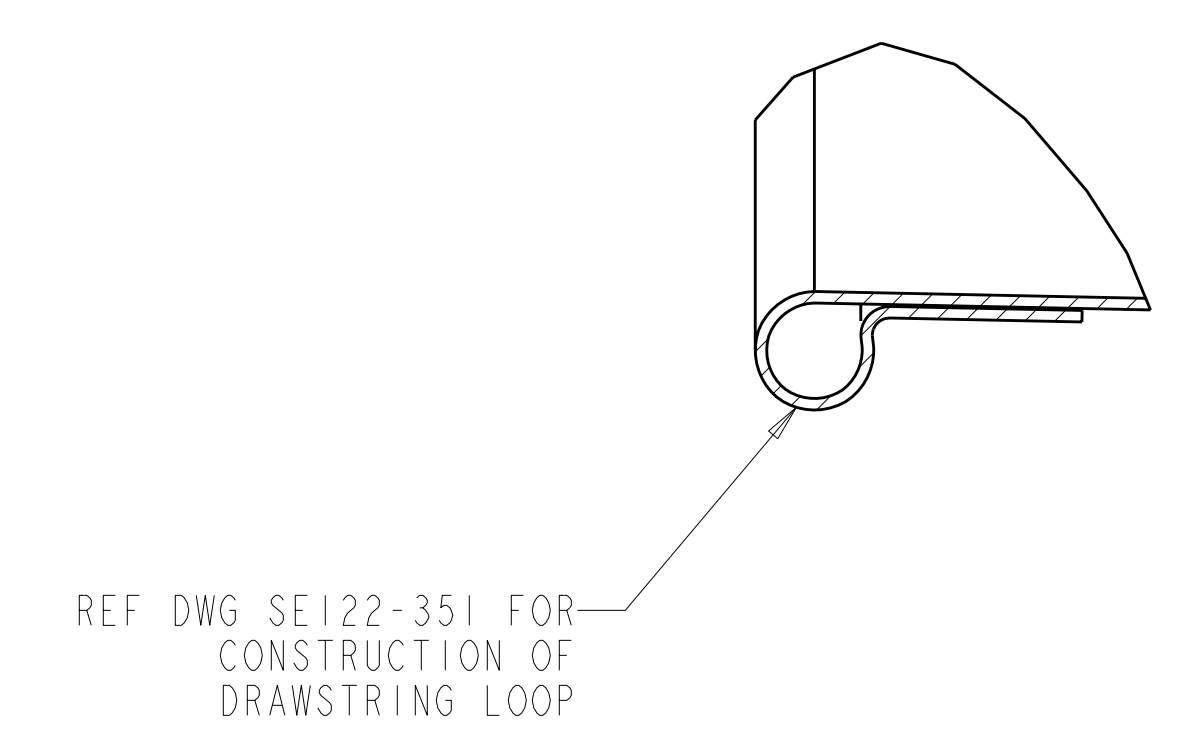
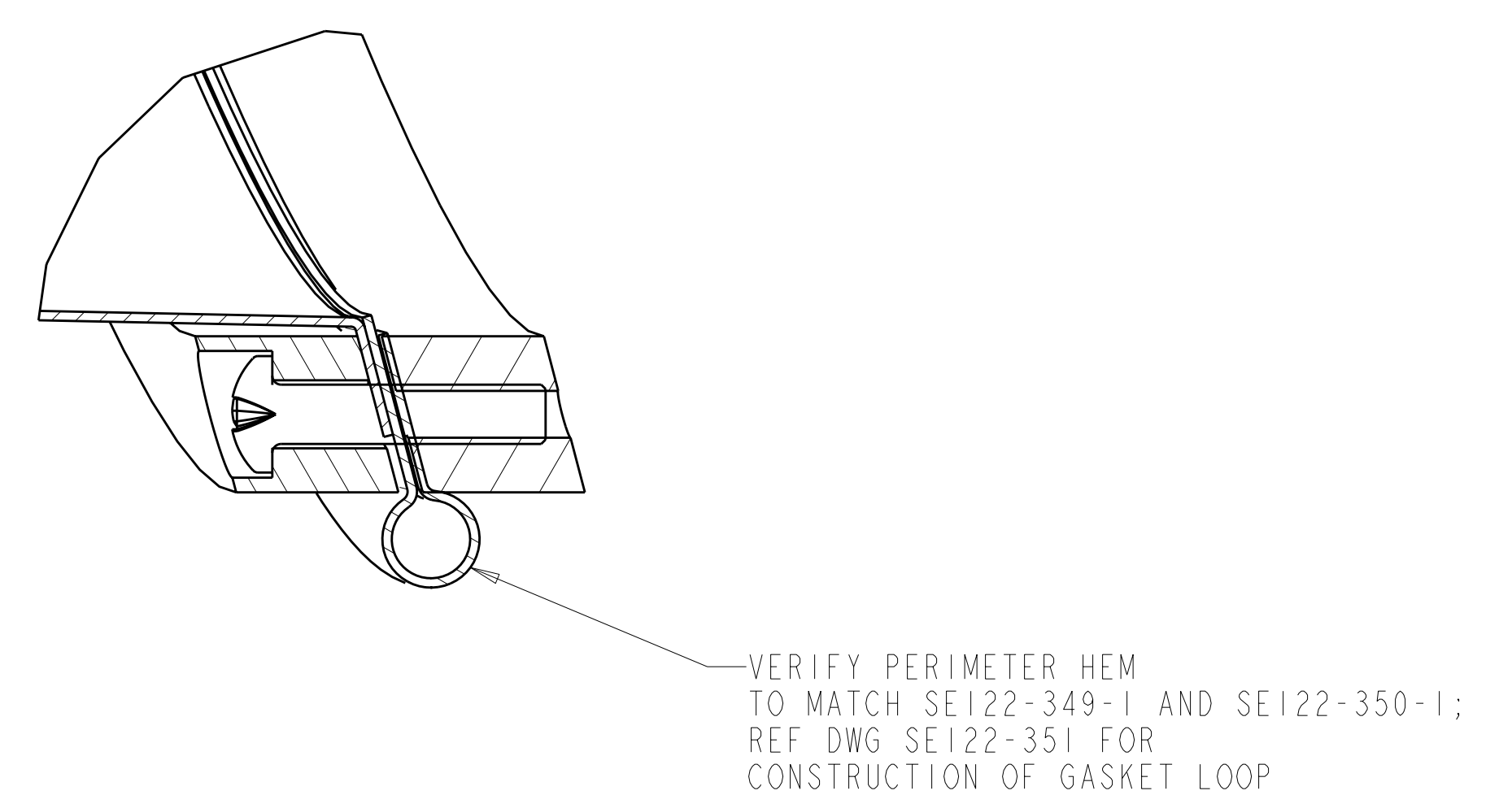
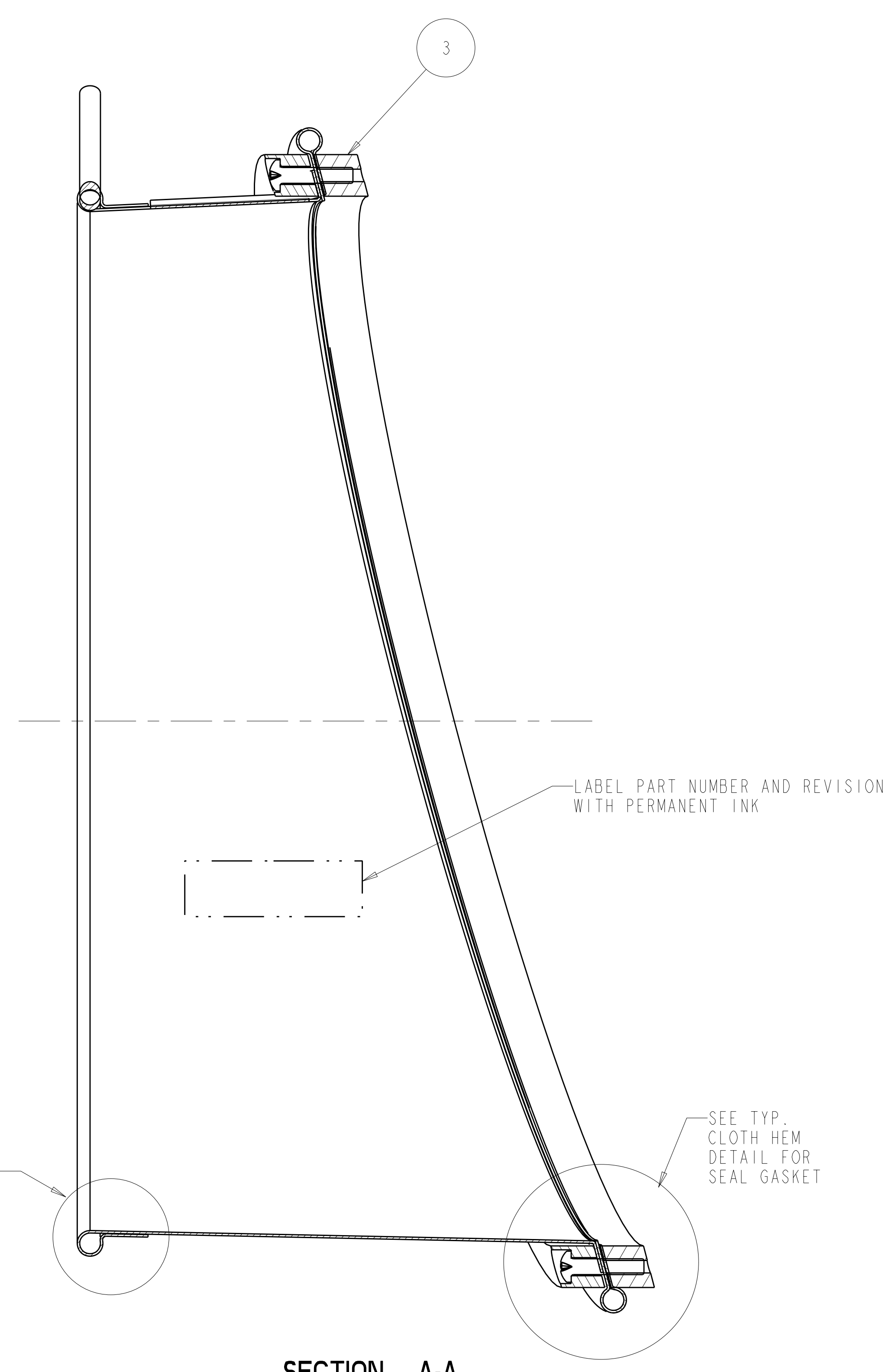
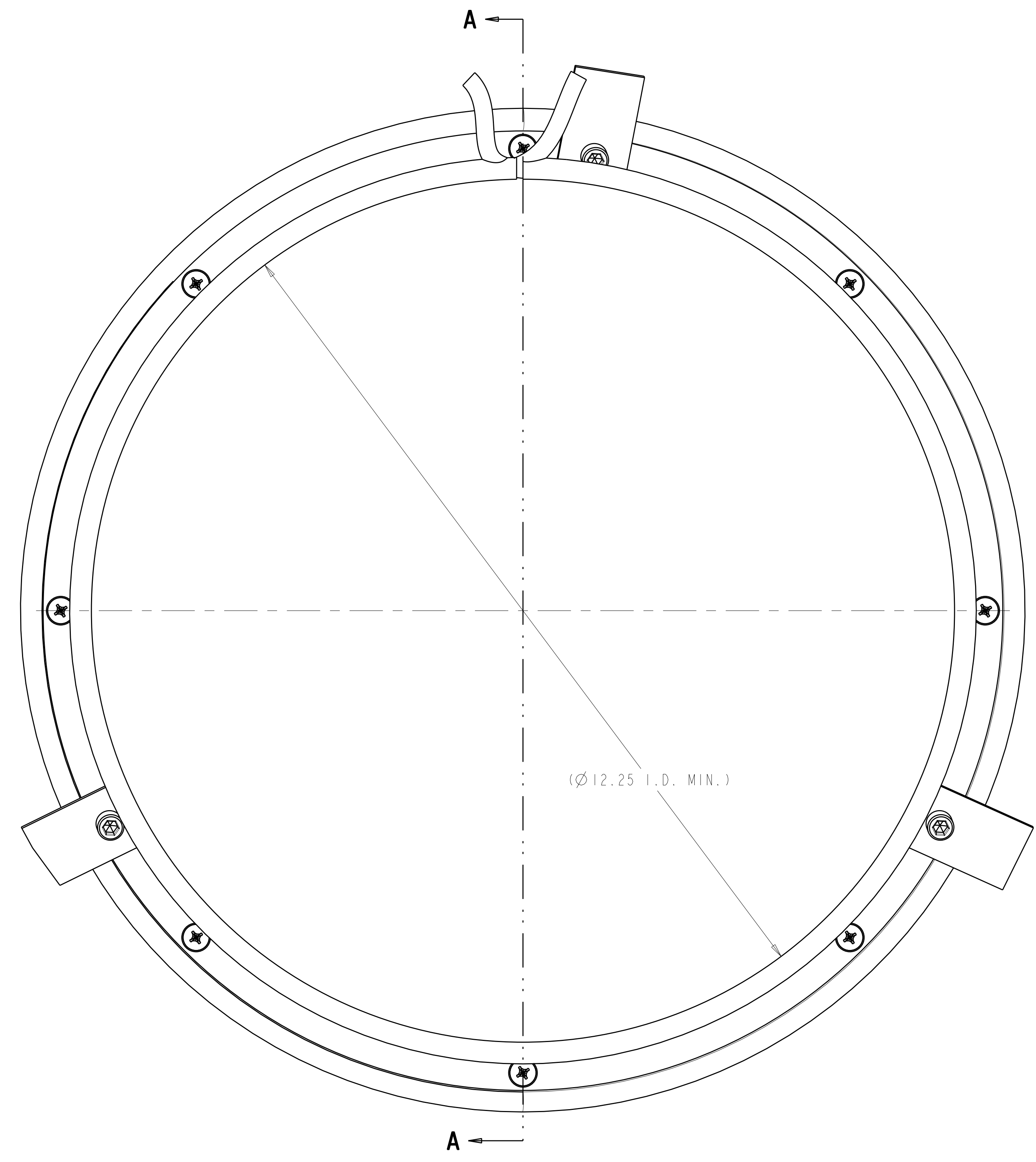


NOTES
 1. DRAWING PREPARED IN ACCORDANCE WITH ASME Y14.100-2004.
 2. INTERPRET DIMENSIONS AND TOLERANCES PER ASME Y14.5M-1994.
 3. DIMENSIONS ARE IN INCHES.



ISOMETRIC VIEW
 SCALE 0.500

TYPICAL CLOTH HEM DETAIL FOR DRAWSTRING
 SCALE 2.00



TYPICAL CLOTH HEM DETAIL FOR SEAL GASKET
 SCALE 2.00

RELEASED FOR FABRICATION / INSTALLATION
 PPPL Drafting:

REV	DESCRIPTION	BY	DATE	CHK	DEPT	DATE	PE	REQ	DATE	ORNL	DOE	DATE
0	ORIGINAL ISSUE	RAH	01/07	SP		01/07						

CAGE CODE	PART OR IDENTIFYING NO	NOMENCLATURE OR DESCRIPTION	MATERIAL	SPECIFICATION	FIND NO
8	94070A247	#10-24 UNC X 1.00 LG PAN HEAD PHILLIPS MACHINE SCREW	BRASS	MCMaster CARR P.O. BOX 740100 ATLANTA, GA 30374-0100 (404) 346-7000 WWW.MCMaster.COM	7
3	93465A537	1/4-20 UNC X .50 LG SHCS			6
3	SE122-399-1	PORT CLIP			5
1	SE122-351-1	PORT 6 WINDING FORM SEAL BOOT ASSEMBLY			4
1	SE122-350-1	PORT 6 WINDING FORM SEAL INNER PLATE			3
1	SE122-349-1	PORT 6 WINDING FORM SEAL OUTER PLATE			2
AR	X	-1			1

← NEXT ASSEMBLY

-1 PORT 6 WINDING FORM SEAL ASSEMBLY
 SCALE 1.000

SECTION A-A

NO REPRESENTATION OR WARRANTY, EXPRESSED OR IMPLIED, IS MADE AS TO THE ACCURACY, COMPLETENESS OR USEFULNESS OF THE INFORMATION OR STATEMENTS CONTAINED IN THESE DRAWINGS, OR THAT THE USE OR DISCLOSURE OF ANY INFORMATION, APPARATUS, METHOD OR PROCESS DISCLOSED IN THESE DRAWINGS MAY NOT INFRINGE PRIVATE RIGHTS OF OTHERS. NO LIABILITY IS ASSUMED WITH RESPECT TO THE USE OF, OR FOR DAMAGES RESULTING FROM THE USE OF, ANY INFORMATION, APPARATUS, METHOD OR PROCESS DISCLOSED IN THESE DRAWINGS. DRAWINGS MADE AVAILABLE FOR PURPOSES, AND ARE TO BE RETURNED UPON REQUEST OF THE FORWARDING CONTRACTOR.

P THIS DRAWING PRODUCED ON PRO-ENGINEER

SCALE NOTED
 TOLERANCES UNLESS OTHERWISE SPECIFIED
 FRACTIONS :
 XX DECIMALS ±.01
 XXX DECIMALS ±.005
 ANGLES ±0°15'
 BREAK SHARP EDGES OR MAX
 FINISH :25 UNLESS OTHERWISE SPECIFIED

DES P. L. GORANSON 01/07
 DRW R. A. HURD 01/07
 CHK S. PARSON 01/07
 SECT :
 DEPT :
 PE :
 CR :
 PJ :
 RD :
 PPPL DRFT J. SIEGEL 01/07

UT-BATTELLE
 Oak Ridge National Laboratory managed for the DEPARTMENT OF ENERGY under U.S. GOVERNMENT CONTRACT DE-AC05-00OR22725 UT-BATTELLE, LLC, Oak Ridge, Tennessee
 PROJECT NAME
NATIONAL COMPACT STELLARATOR EXPERIMENT
PORT 6 WINDING FORM SEAL ASSEMBLY

VERSION NO.	PLANT	BLDG	FL	SHT	OF	TYPE	CLASS
6	ORNL	5700	3	1	1	A	U
RELEASE LEVEL		SE122-348					
Fabrication		REV 0					