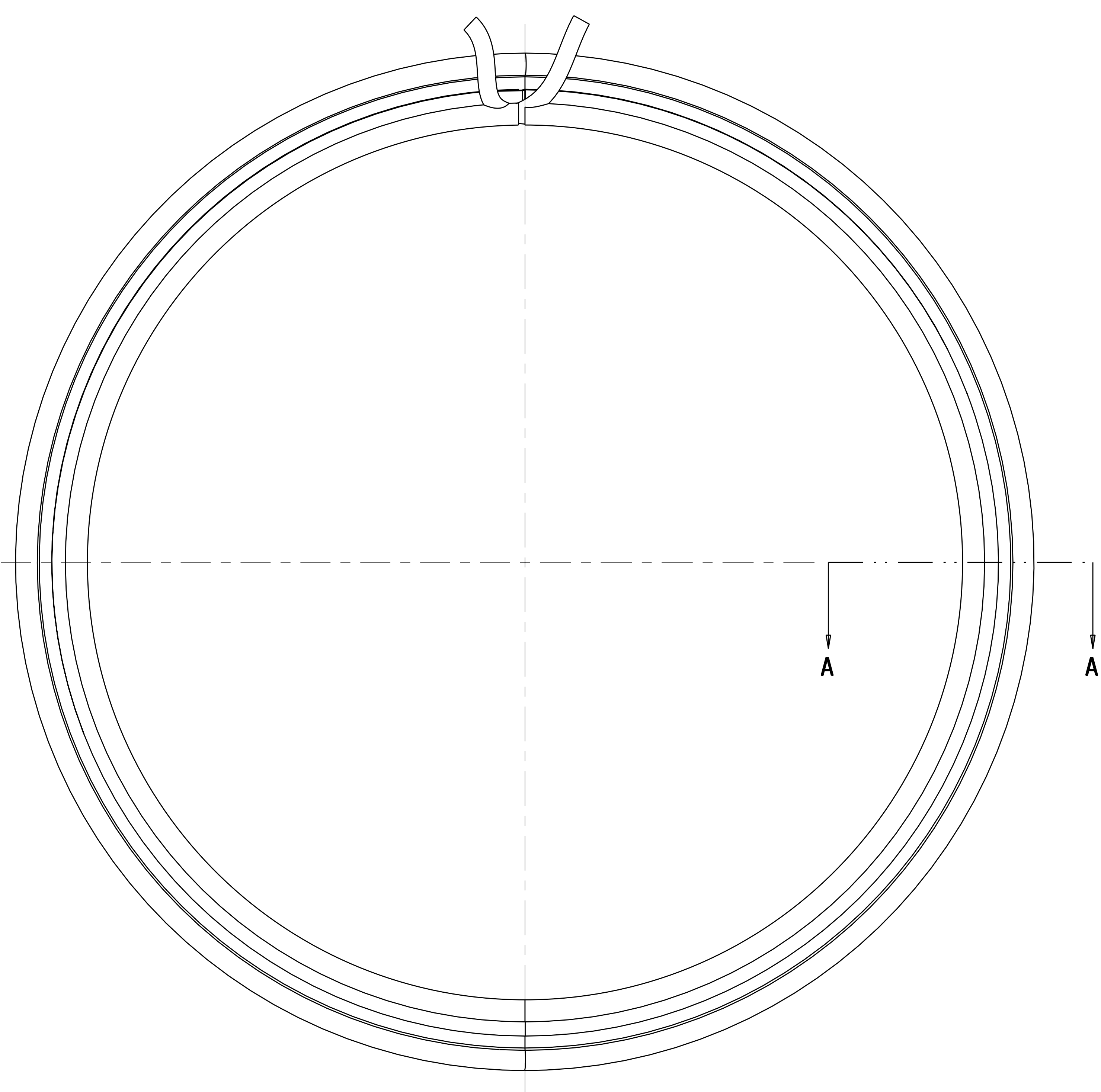
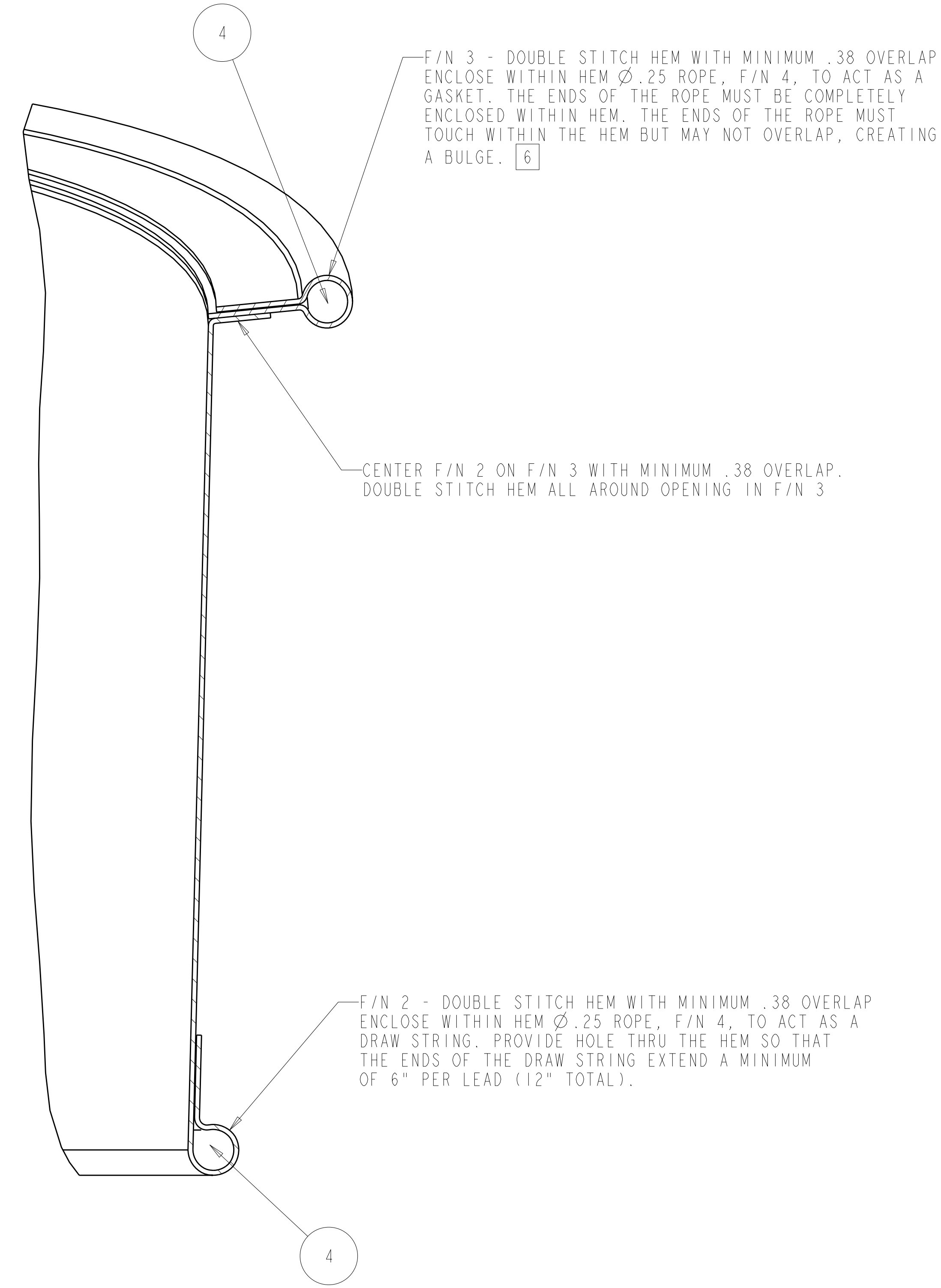
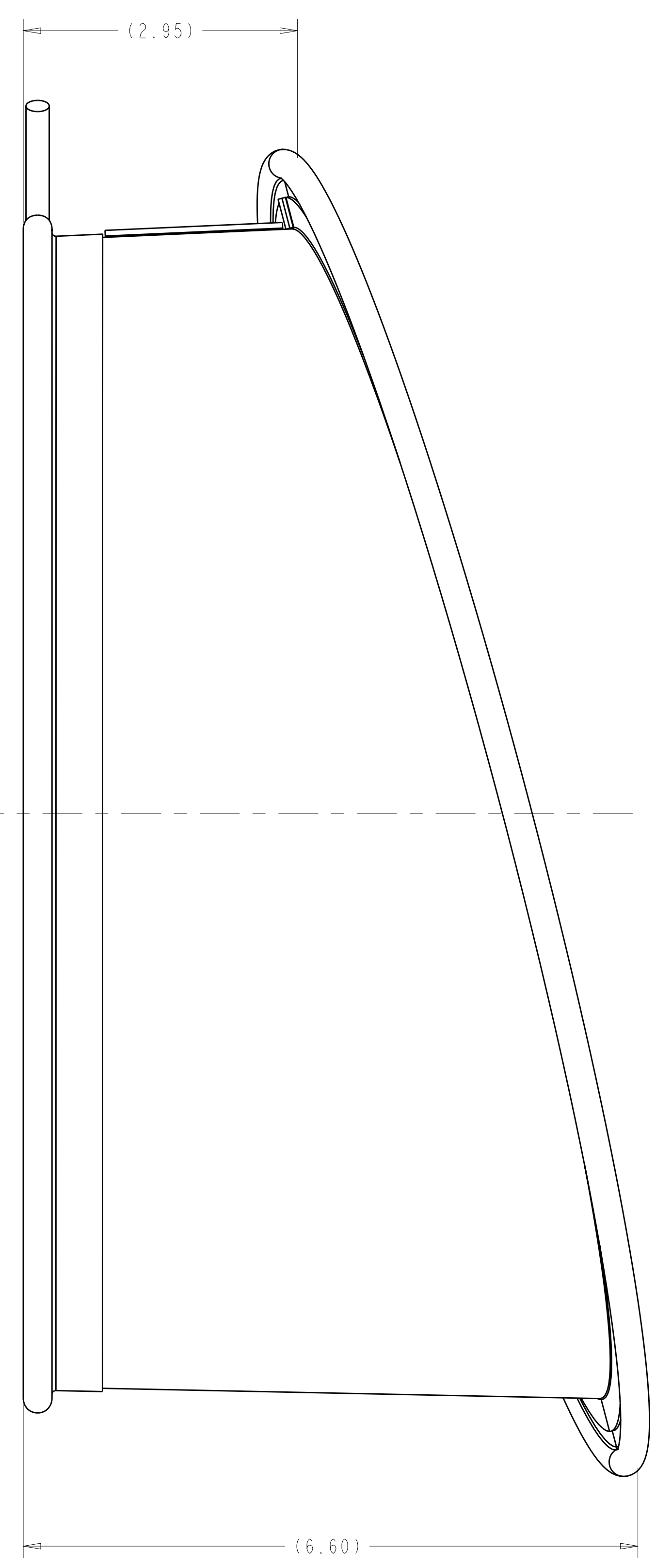


ISOMETRIC VIEW
SCALE 0.500



-1 PORT 6 WINDING FORM SEAL BOOT ASSEMBLY
SCALE 1.000



SECTION A-A
SCALE 2.000

RELEASED FOR FABRICATION / INSTALLATION
PPPL Drafting:

CAGE CODE	PART OR IDENTIFYING NO	NOMENCLATURE OR DESCRIPTION	MATERIAL	SPECIFICATION	FIND NO
AR	-4	Ø .25 ROPE		NCSX-PRL-12-001	4
6 4	1	PORT 6 WINDING FORM SEAL BOOT BACK		NCSX-PRL-12-001	3
4	1	PORT 6 WINDING FORM SEAL BOOT CONE		NCSX-PRL-12-001	2
AR	-1	PORT 6 WINDING FORM SEAL BOOT ASSEMBLY			1

PARTS LIST

- NOTES
1. DRAWING PREPARED IN ACCORDANCE WITH ASME Y14.100-2004.
 2. INTERPRET DIMENSIONS AND TOLERANCES PER ASME Y14.5M-1994.
 3. DIMENSIONS ARE IN INCHES.
 4. FLAT PATTERNS TO BE CREATED FROM FULL SIZE PLOT. VERIFY PLOT SIZE WITH 1:1 SCALE GRAPH PROVIDED ON DRAWING.
 5. FLAT PATTERNS SHALL MATCH FULL SIZE PLOT WITHIN +/- .06.
 6. VERIFY HEM PROFILE IN ASSEMBLY SEI22-348.

F/N 3 - DOUBLE STITCH HEM WITH MINIMUM .38 OVERLAP ENCLOSE WITHIN HEM Ø .25 ROPE, F/N 4, TO ACT AS A GASKET. THE ENDS OF THE ROPE MUST BE COMPLETELY ENCLOSED WITHIN HEM. THE ENDS OF THE ROPE MUST TOUCH WITHIN THE HEM BUT MAY NOT OVERLAP, CREATING A BULGE. 6

CENTER F/N 2 ON F/N 3 WITH MINIMUM .38 OVERLAP. DOUBLE STITCH HEM ALL AROUND OPENING IN F/N 3

F/N 2 - DOUBLE STITCH HEM WITH MINIMUM .38 OVERLAP ENCLOSE WITHIN HEM Ø .25 ROPE, F/N 4, TO ACT AS A DRAW STRING. PROVIDE HOLE THRU THE HEM SO THAT THE ENDS OF THE DRAW STRING EXTEND A MINIMUM OF 6" PER LEAD (12" TOTAL).

NO REPRESENTATION OR WARRANTY, EXPRESSED OR IMPLIED, IS MADE AS TO THE ACCURACY, COMPLETENESS OR USEFULNESS OF THE INFORMATION OR STATEMENTS CONTAINED IN THESE DRAWINGS, OR THAT THE USE OR DISCLOSURE OF ANY INFORMATION, APPARATUS, METHOD OR PROCESS DISCLOSED IN THESE DRAWINGS MAY NOT INFRINGE PRIVATE RIGHTS OF OTHERS. NO LIABILITY IS ASSUMED WITH RESPECT TO THE USE OF, OR FOR DAMAGES RESULTING FROM THE USE OF, ANY INFORMATION, APPARATUS, METHOD OR PROCESS DISCLOSED IN THESE DRAWINGS. DRAWINGS MADE AVAILABLE FOR PURPOSES, AND ARE TO BE RETURNED UPON REQUEST OF THE FORWARDING CONTRACTOR.

P THIS DRAWING PRODUCED ON PRO-ENGINEER

REV	DESCRIPTION	BY	DATE	CHK	DEPT	DATE	PE	REQ	DATE	ORNL	DOE	DATE
0	ORIGINAL ISSUE	RAH	01/01	SP		01/01						

SCALE NOTED
TOLERANCES UNLESS OTHERWISE SPECIFIED

FRACTIONS :
XX DECIMALS ± .01
XXX DECIMALS ± .005
ANGLES ± 0'15"
BREAK SHARP EDGES OR MAX
FINISH .125 UNLESS OTHERWISE SPECIFIED

DES P. L. GORANSON 01/07
DRW R. A. HURD 01/07
CHK S. PARSON 01/07
DEPT :
PE :
CR :
PJ :
RD :
PPPL DRFT J. SIEGEL 01/07

UT-BATTELLE
Oak Ridge National Laboratory managed for the DEPARTMENT OF ENERGY under U.S. GOVERNMENT CONTRACT DE-AC05-00OR22725 UT-BATTELLE, LLC. Oak Ridge, Tennessee

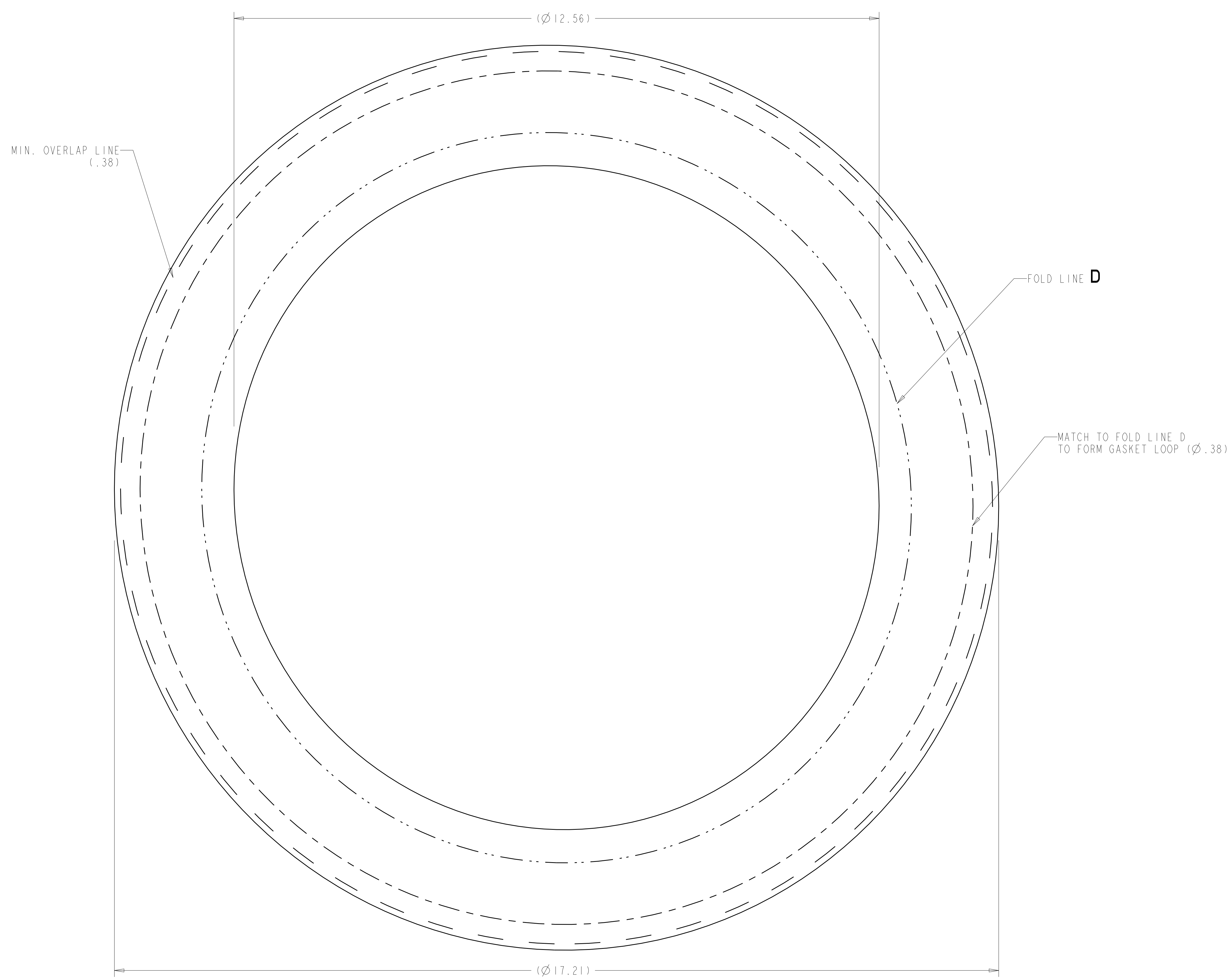
NATIONAL COMPACT STELLARATOR EXPERIMENT
PORT 6 WINDING FORM SEAL BOOT ASSEMBLY

VERSION NO.	PLANT	BLDG	FL	SHT	OF	TYPE	CLASS
5	ORNL	5700	3	1	2	A	U

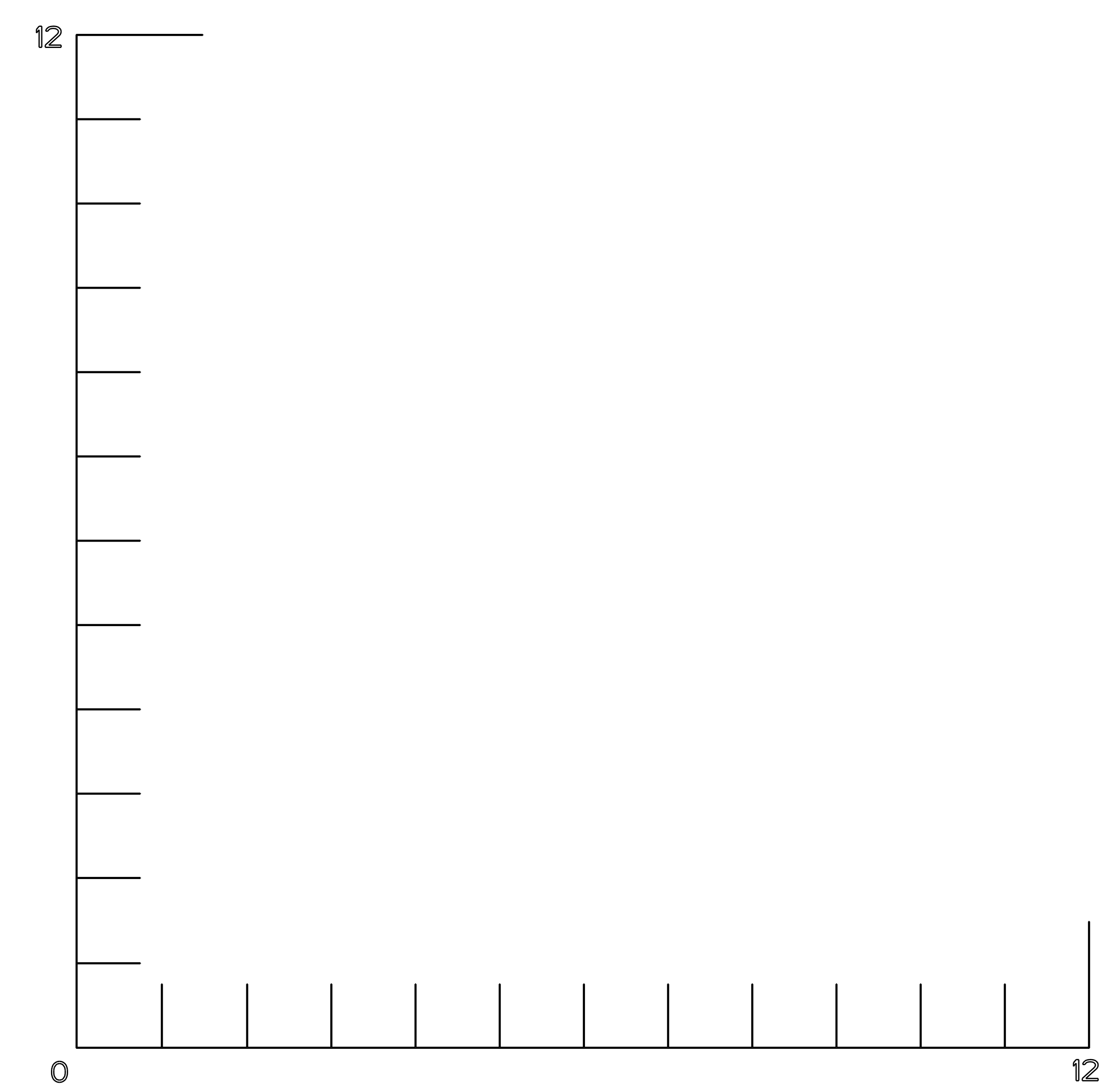
RELEASE LEVEL SEI22-351
Fabrication



-2 FLAT PATTERN [4][5]
SCALE 1.000



-3 FLAT PATTERN [4][5]
SCALE 1.000



1:1 SCALE AT FULL SIZE [4]

RELEASED FOR FABRICATION / INSTALLATION
PPPL Drafting:

Oak Ridge National Laboratory managed for the DEPARTMENT OF ENERGY under U.S. GOVERNMENT contract DE-AC05-00OR22725 UT-BATTELLE, LLC, Oak Ridge, Tennessee PROJECT NAME:									
UT-BATTELLE NATIONAL COMPACT STELLARATOR EXPERIMENT									
PORT 6 WINDING FORM SEAL BOOT ASSEMBLY									
VERSION NO.	PLANT	BLDG	FL	SHT	OF	TYPE	CLASS		
5	ORNL	5700	3	2	2	A	U		
RELEASE LEVEL		SE122-351						REV	
Fabrication								0	

SE122-351