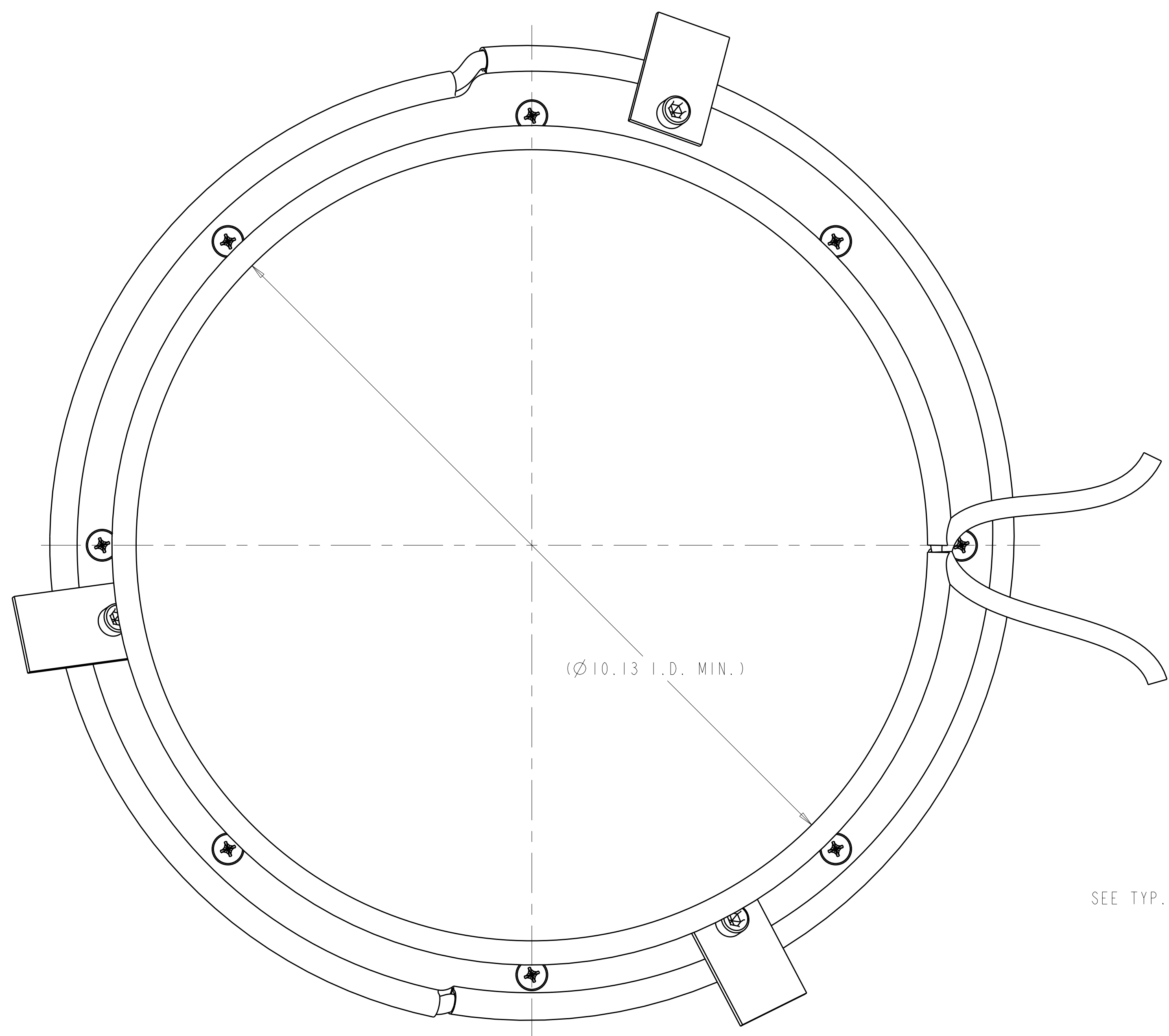
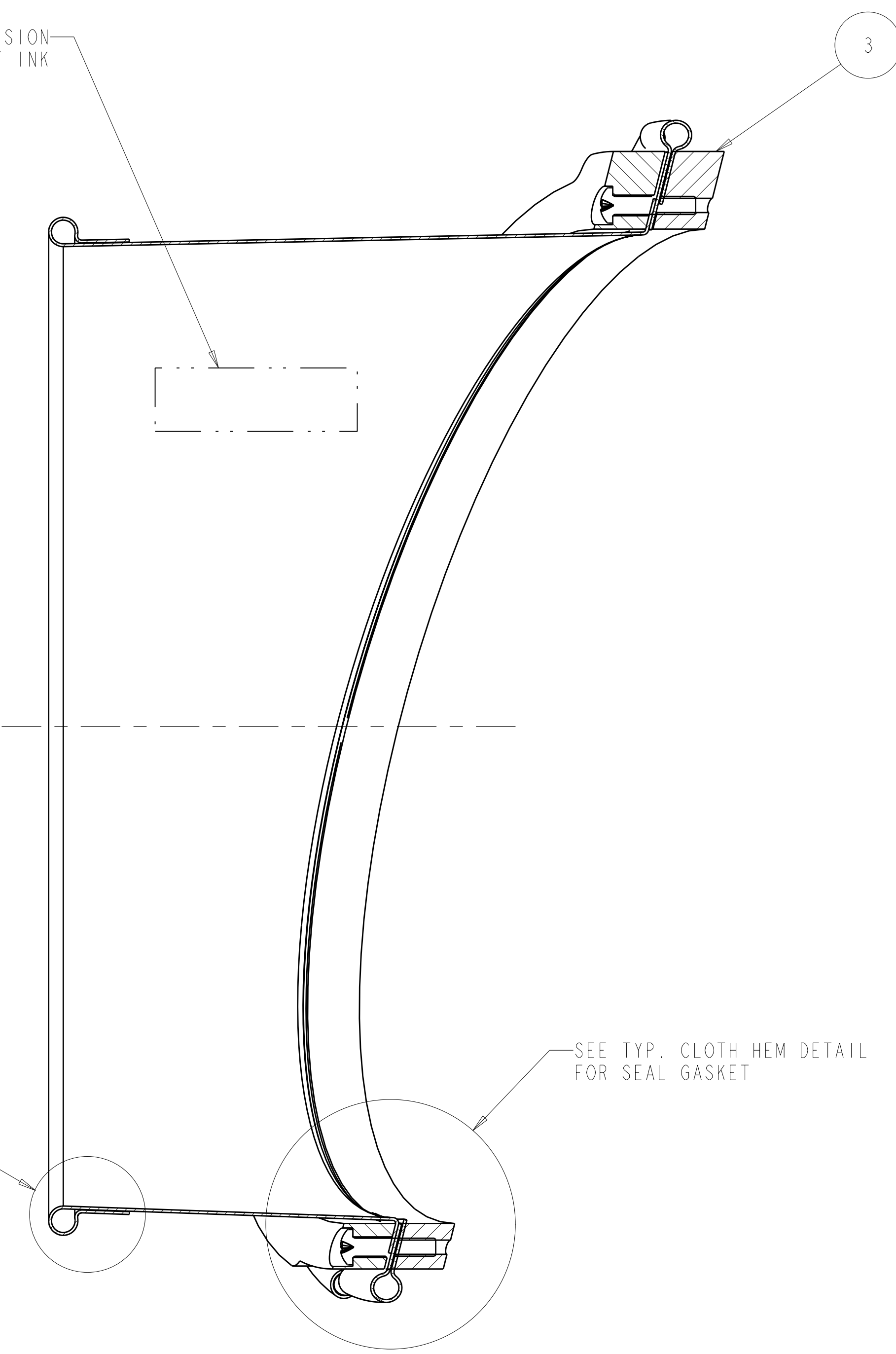


ISOMETRIC VIEW  
SCALE 0.500

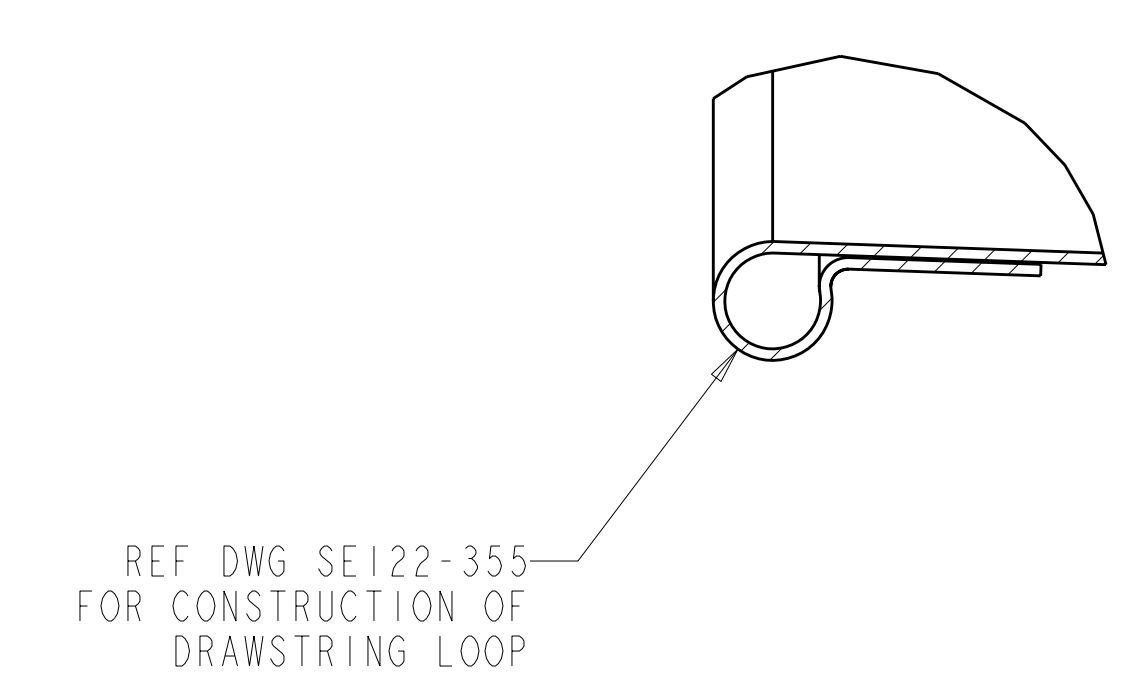


1 PORT 7 WINDING FORM SEAL ASSEMBLY  
SCALE 1.000

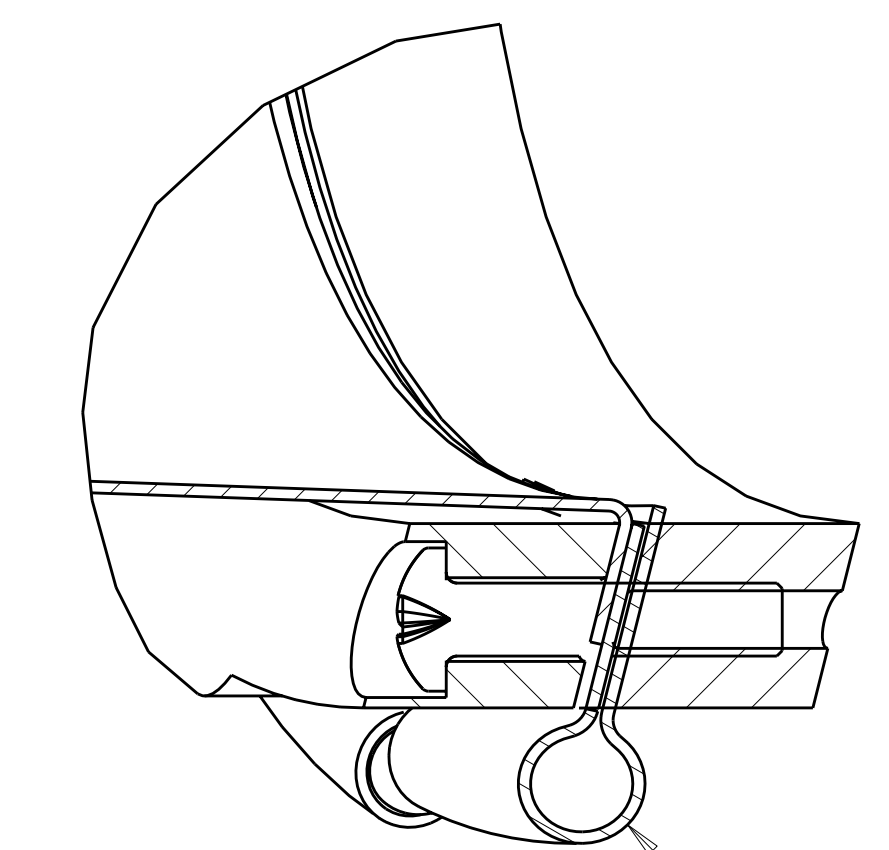


SECTION A-A

- NOTES
1. DRAWING PREPARED IN ACCORDANCE WITH ASME Y14.100-2004.
  2. INTERPRET DIMENSIONS AND TOLERANCES PER ASME Y14.5M-1994.
  3. DIMENSIONS ARE IN INCHES.



TYPICAL CLOTH HEM DETAIL FOR DRAWSTRING  
SCALE 2.00



TYPICAL CLOTH HEM DETAIL FOR SEAL GASKET  
SCALE 2.00

**RELEASED FOR FABRICATION / INSTALLATION**  
PPPL Drafting:

REV	DESCRIPTION	BY	DATE	CHK	DEPT	DATE	PE	REQ	DATE	ORNL	DOE	DATE
0	ORIGINAL ISSUE	RAH	01/07	SP		01/07						

CAGE CODE	PART OR IDENTIFYING NO	NOMENCLATURE OR DESCRIPTION	MATERIAL	SPECIFICATION	FIND NO
8	94070A247	#10-24 UNC X 1.00 LG PAN HEAD PHILLIPS MACHINE SCREW	BRASS	MCMaster CARR P.O. BOX 740100 ATLANTA, GA 30374-0100 (404) 346-7000 WWW.MCMaster.COM	7
3	93465A537	1/4-20 UNC X .50 LG SHCS			6
3	SE122-399-1	PORT CLIP			5
1	SE122-355-1	PORT 7 WINDING FORM SEAL BOOT ASSEMBLY			4
1	SE122-354-1	PORT 7 WINDING FORM SEAL INNER PLATE			3
1	SE122-353-1	PORT 7 WINDING FORM SEAL OUTER PLATE			2
AR	X	-1			1

← NEXT ASSEMBLY

NO REPRESENTATION OR WARRANTY, EXPRESSED OR IMPLIED, IS MADE AS TO THE ACCURACY, COMPLETENESS OR USEFULNESS OF THE INFORMATION OR STATEMENTS CONTAINED IN THESE DRAWINGS, OR THAT THE USE OR DISCLOSURE OF ANY INFORMATION, APPARATUS, METHOD OR PROCESS DISCLOSED IN THESE DRAWINGS MAY NOT INFRINGE PRIVATE RIGHTS OF OTHERS. NO LIABILITY IS ASSUMED WITH RESPECT TO THE USE OF, OR FOR DAMAGES RESULTING FROM THE USE OF, ANY INFORMATION, APPARATUS, METHOD OR PROCESS DISCLOSED IN THESE DRAWINGS. DRAWINGS MADE AVAILABLE FOR PURPOSES, AND ARE TO BE RETURNED UPON REQUEST OF THE FORWARDING CONTRACTOR.

**P** THIS DRAWING PRODUCED ON PRO-ENGINEER

SCALE NOTED  
TOLERANCES UNLESS OTHERWISE SPECIFIED  
FRACTIONS :  
XX DECIMALS ±.01  
XXX DECIMALS ±.005  
ANGLES ±0°15'  
BREAK SHARP EDGES OR MAX  
FINISH : .125 UNLESS OTHERWISE SPECIFIED

DES P. L. GORANSON 01/07  
DRW R. A. HURD 01/07  
CHK S. PARSON 01/07  
SECT :  
DEPT :  
PE :  
CR :  
PJ :  
RD :  
PPPL DRFT J. SIEGEL 01/07

Oak Ridge National Laboratory managed for the DEPARTMENT OF ENERGY under U.S. GOVERNMENT contract DE-AC05-00OR22725 UT-BATTELLE, LLC. Oak Ridge, Tennessee  
PROJECT NAME  
**NATIONAL COMPACT STELLARATOR EXPERIMENT**  
PORT 7 WINDING FORM SEAL ASSEMBLY

VERSION NO. 5  
PLANT ORNL  
BLDG 5700  
FL 3  
SHT 1  
OF 1  
TYPE I  
CLASS A  
RELEASE LEVEL Fabrication  
SE122-352  
REV 0