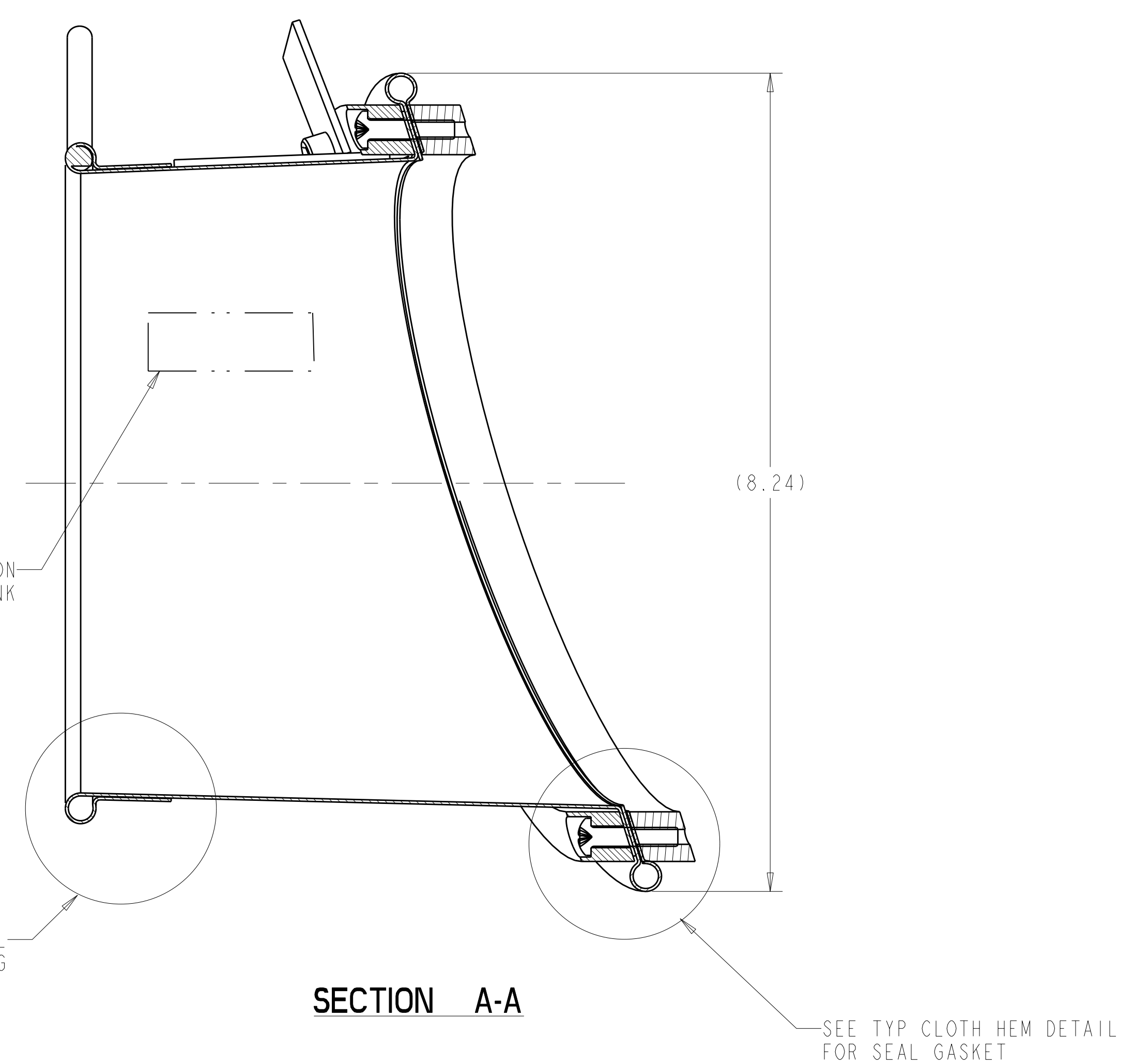
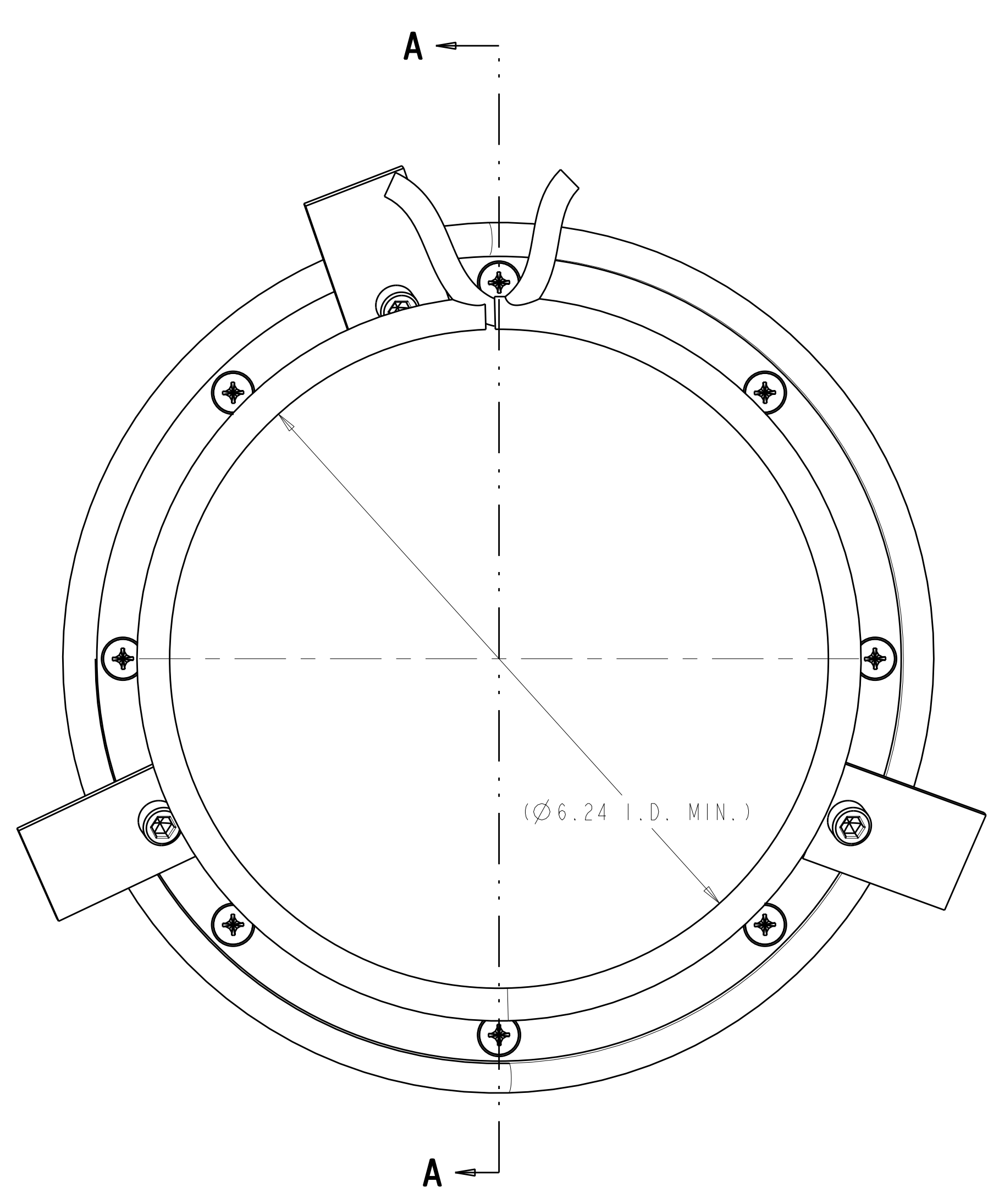


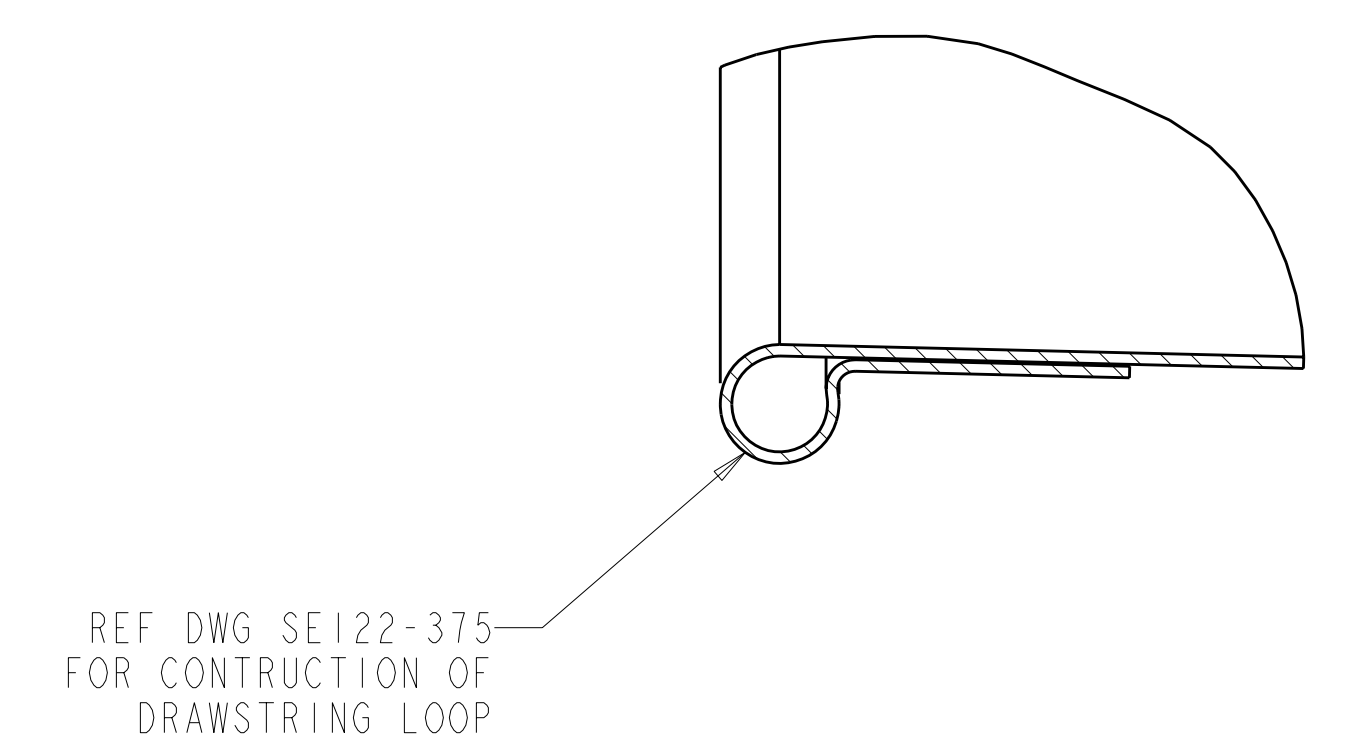
ISOMETRIC VIEW
SCALE 1.000



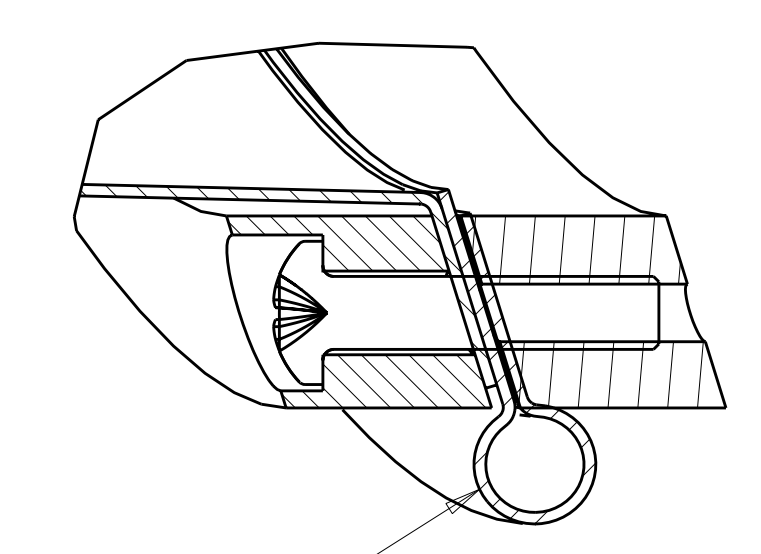
SECTION A-A

1 PORT 15 WINDING FORM SEAL ASSEMBLY
SCALE 1.000

- NOTES
1. DRAWING PREPARED IN ACCORDANCE WITH ASME Y14.100-2004.
 2. INTERPRET DIMENSIONS AND TOLERANCES PER ASME Y14.5M-1994.
 3. DIMENSIONS ARE IN INCHES.



TYPICAL CLOTH HEM DETAIL FOR DRAWSTRING
SCALE 2.00



VERIFY PERIMETER HEM TO MATCH SE122-373-1 AND SE122-374-1; REF DWG SE122-375 FOR CONSTRUCTION OF GASKET LOOP

TYPICAL CLOTH HEM DETAIL FOR SEAL GASKET
SCALE 2.00

RELEASED FOR FABRICATION / INSTALLATION
PPPL Drafting:

REV	DESCRIPTION	BY	DATE	CHK	DEPT	DATE	PE	REQ	DATE	ORNL	DOE	DATE
0	ORIGINAL ISSUE	RAH	01/07	SP		01/07						
1												

CAGE CODE	PART OR IDENTIFYING NO	NOMENCLATURE OR DESCRIPTION	MATERIAL	SPECIFICATION	FIND NO
8	94070A247	#10-24 UNC X 1.00 LG PAN HEAD PHILLIPS MACHINE SCREW	BRASS	MCMASTER CARR P.O. BOX 740100 ATLANTA, GA 30374-0100 (404) 346-7000 WWW.MCMASTER.COM	7
3	93465A537	1/4-20 UNC X .50 LG SHCS			6
3	SE122-399-1	PORT CLIP			5
I	SE122-375-1	PORT 15 WINDING FORM SEAL BOOT ASSEMBLY			4
I	SE122-374-1	PORT 15 WINDING FORM SEAL INNER PLATE			3
I	SE122-373-1	PORT 15 WINDING FORM SEAL OUTER PLATE			2
AR	X	-1			1

← NEXT ASSEMBLY

NO REPRESENTATION OR WARRANTY, EXPRESSED OR IMPLIED, IS MADE AS TO THE ACCURACY, COMPLETENESS OR USEFULNESS OF THE INFORMATION OR STATEMENTS CONTAINED IN THESE DRAWINGS, OR THAT THE USE OR DISCLOSURE OF ANY INFORMATION, APPARATUS, METHOD OR PROCESS DISCLOSED IN THESE DRAWINGS MAY NOT INFRINGE PRIVATE RIGHTS OF OTHERS. NO LIABILITY IS ASSUMED WITH RESPECT TO THE USE OF, OR FOR DAMAGES RESULTING FROM THE USE OF, ANY INFORMATION, APPARATUS, METHOD OR PROCESS DISCLOSED IN THESE DRAWINGS. DRAWINGS MADE AVAILABLE FOR INFORMATION TO BIDDER ARE NOT TO BE USED FOR OTHER PURPOSES, AND ARE TO BE RETURNED UPON REQUEST OF THE FORWARDING CONTRACTOR.

P THIS DRAWING PRODUCED ON PRO-ENGINEER

SCALE NOTED
TOLERANCES UNLESS OTHERWISE SPECIFIED
FRACTIONS :
XX DECIMALS ±.01
XXX DECIMALS ±.005
ANGLES ±0°15'
BREAK SHARP EDGES OR MAX
FINISH :25 UNLESS OTHERWISE SPECIFIED

DES P. L. GORANSON 01/07
DRW R. A. HURD 01/07
CHK S. PARSON 01/07
SECT :
DEPT :
PE :
CR :
PJ :
RD :
PPPL DRFT J. SIEGEL 01/07

Oak Ridge National Laboratory managed for the DEPARTMENT OF ENERGY under U.S. GOVERNMENT contract DE-AC05-00OR22725 UT-BATTELLE, LLC. Oak Ridge, Tennessee
UT-BATTELLE
PROJECT NAME
NATIONAL COMPACT STELLARATOR EXPERIMENT
PORT 15 WINDING FORM SEAL ASSEMBLY

VERSION NO.	PLANT	BLDG	FL	SHT	OF	TYPE	CLASS
5	ORNL	5700	3	1	1	A	U
RELEASE LEVEL	SE122-372						
Fabrication	REV 0						