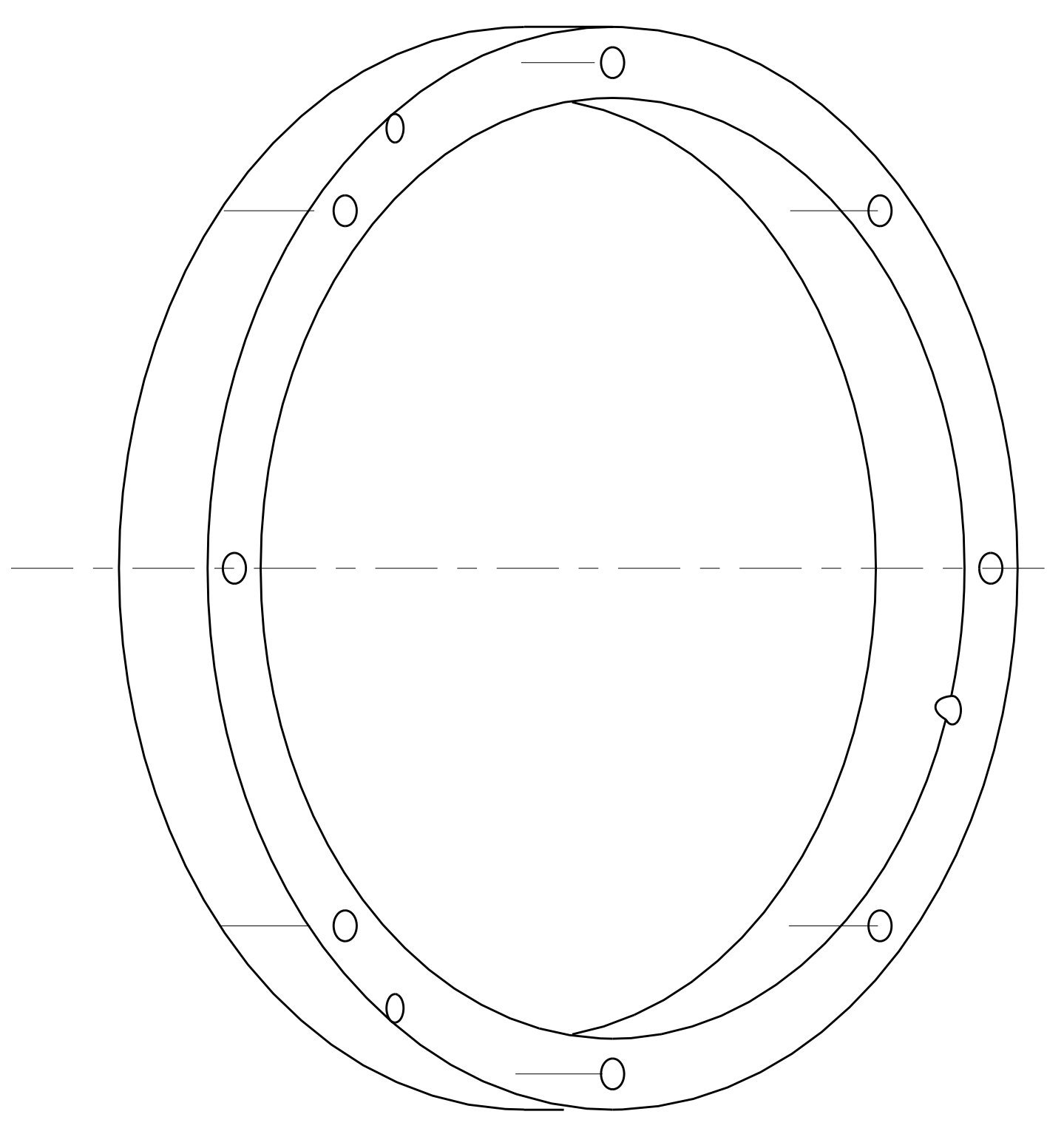
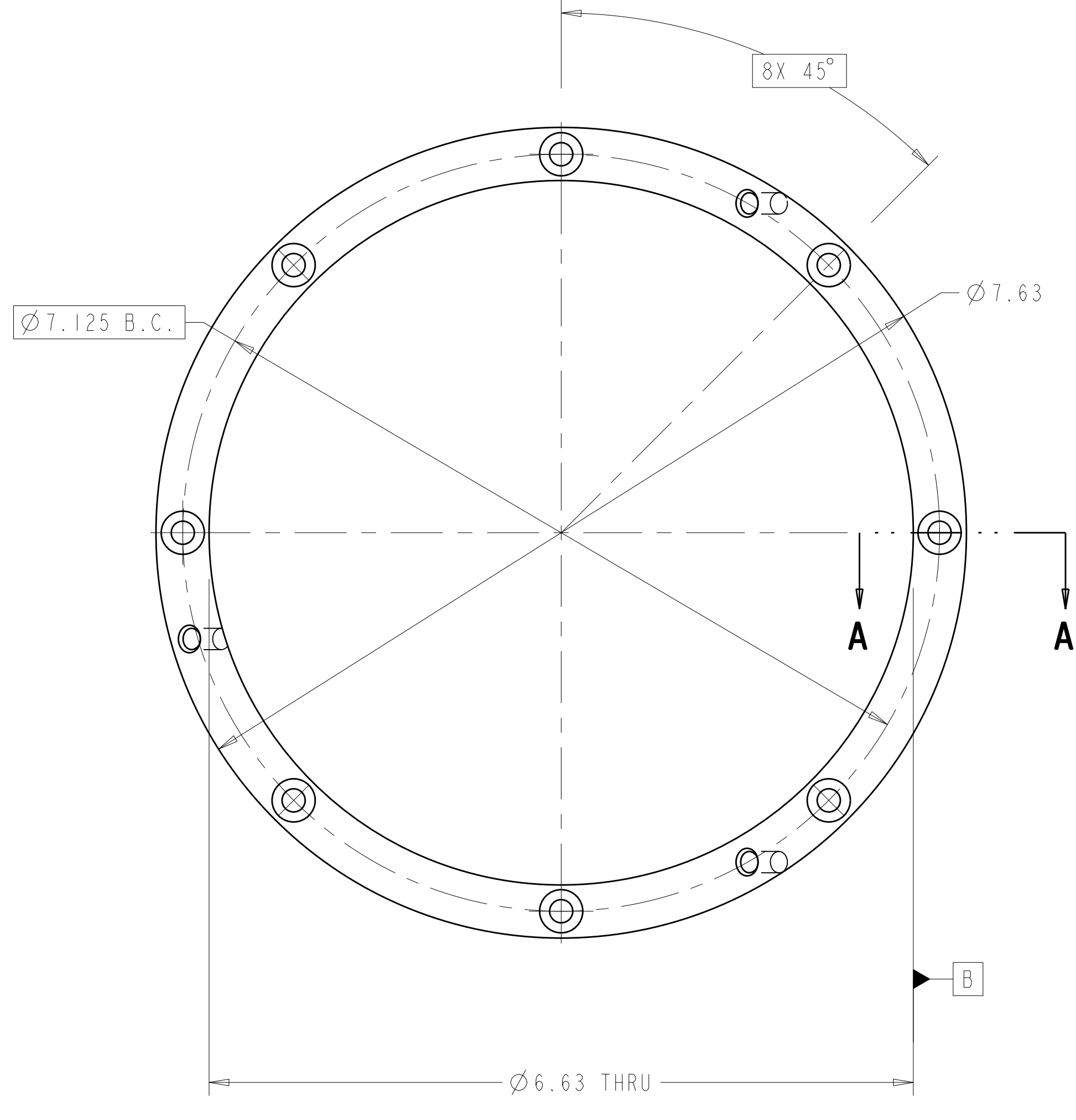
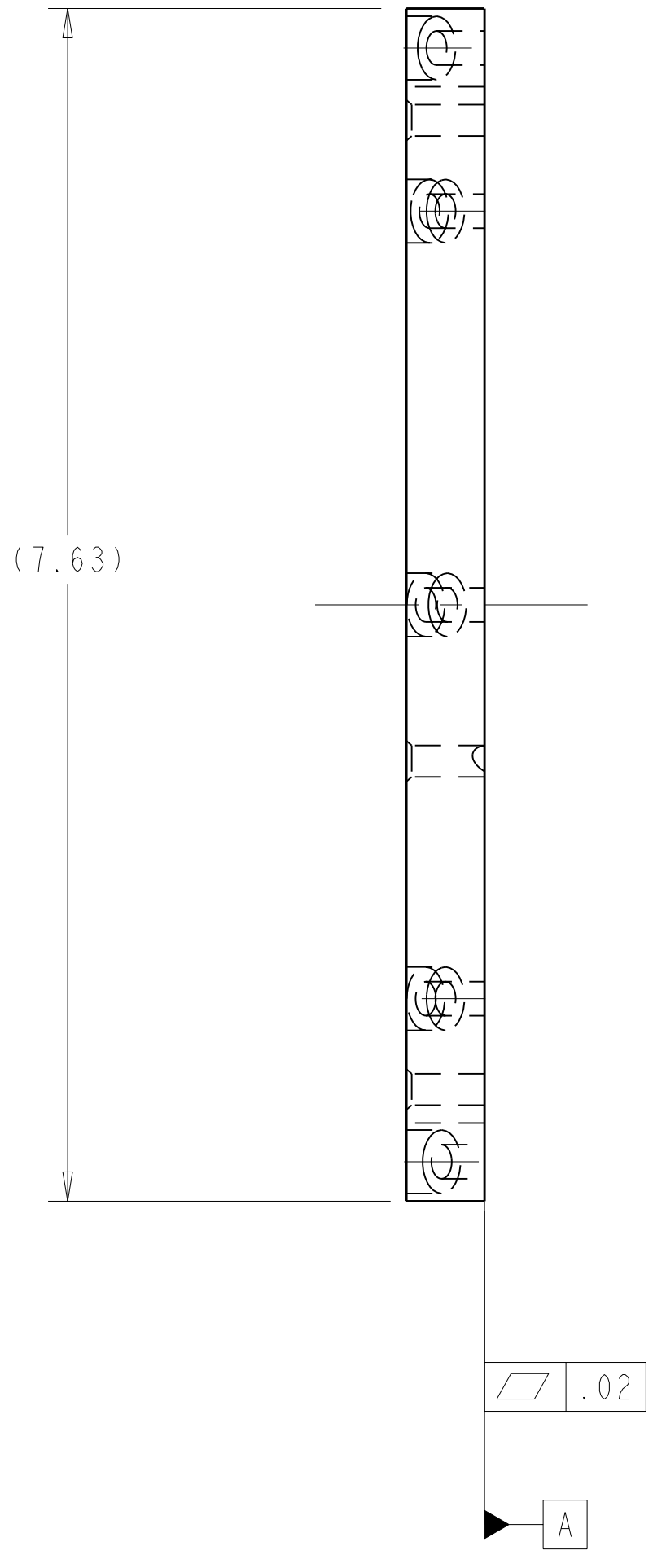
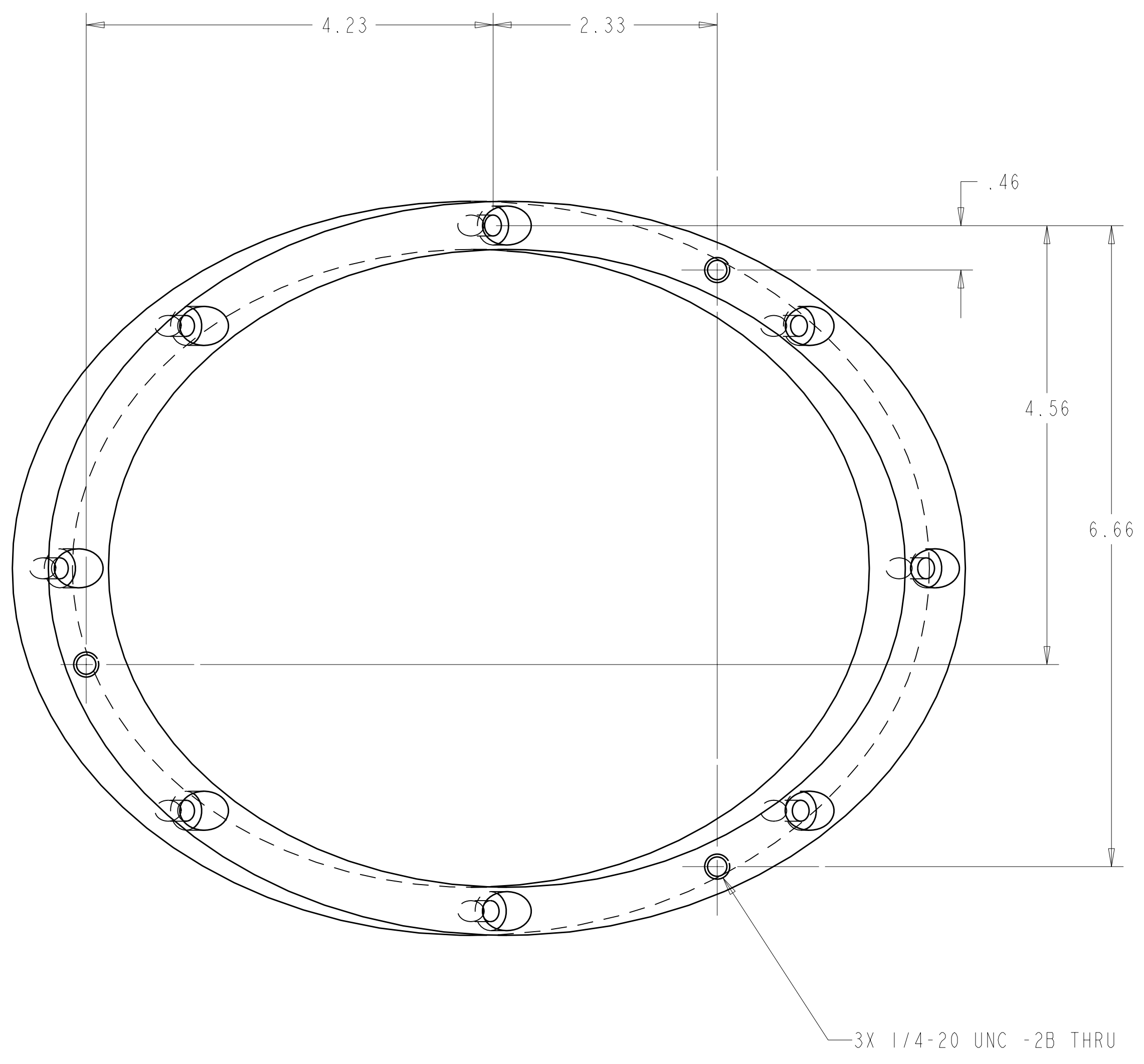
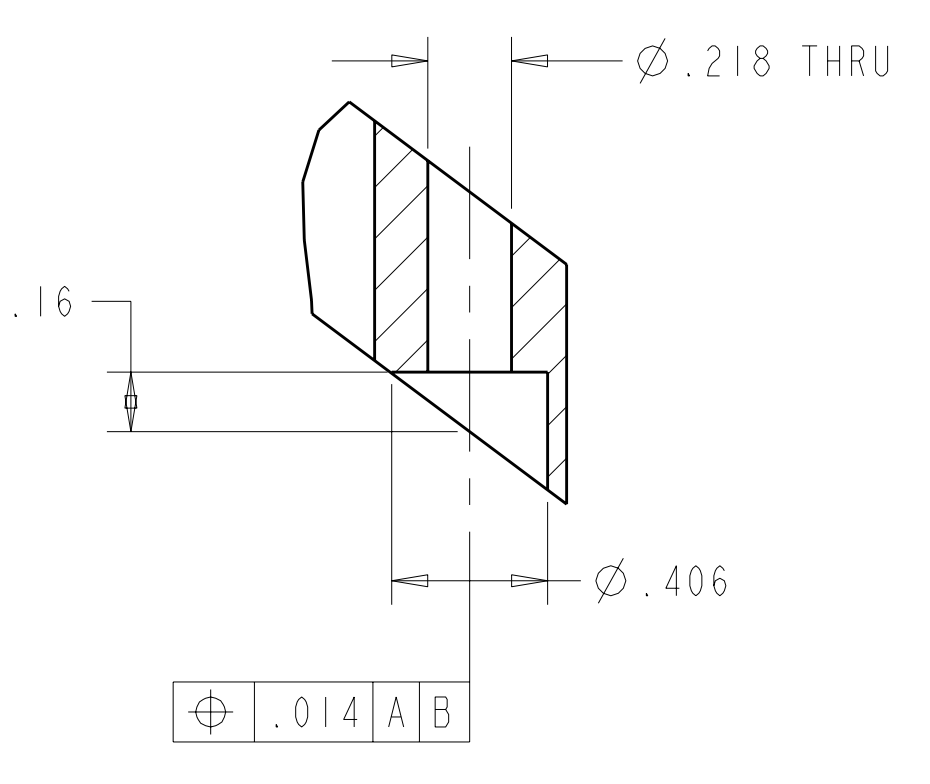
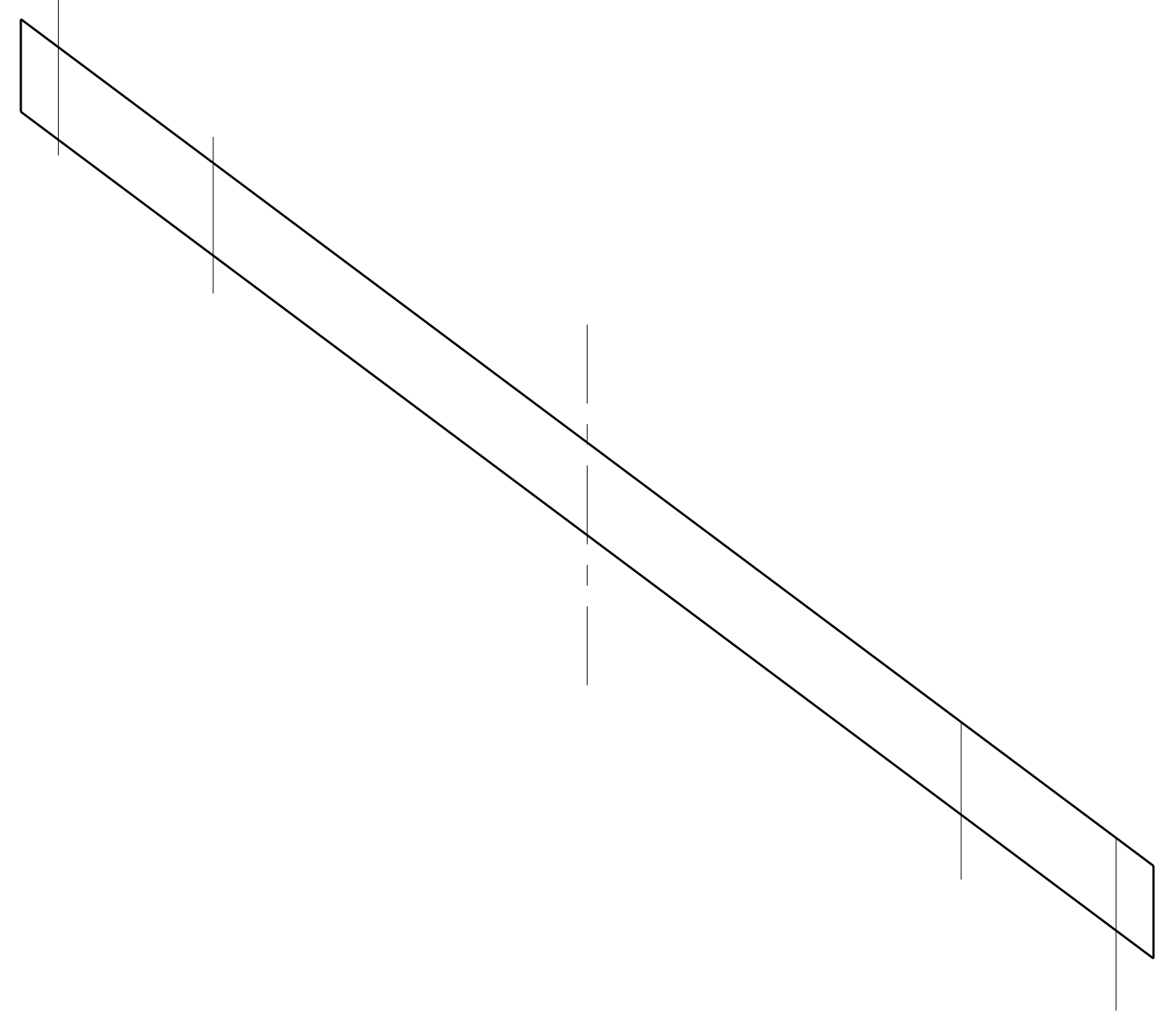
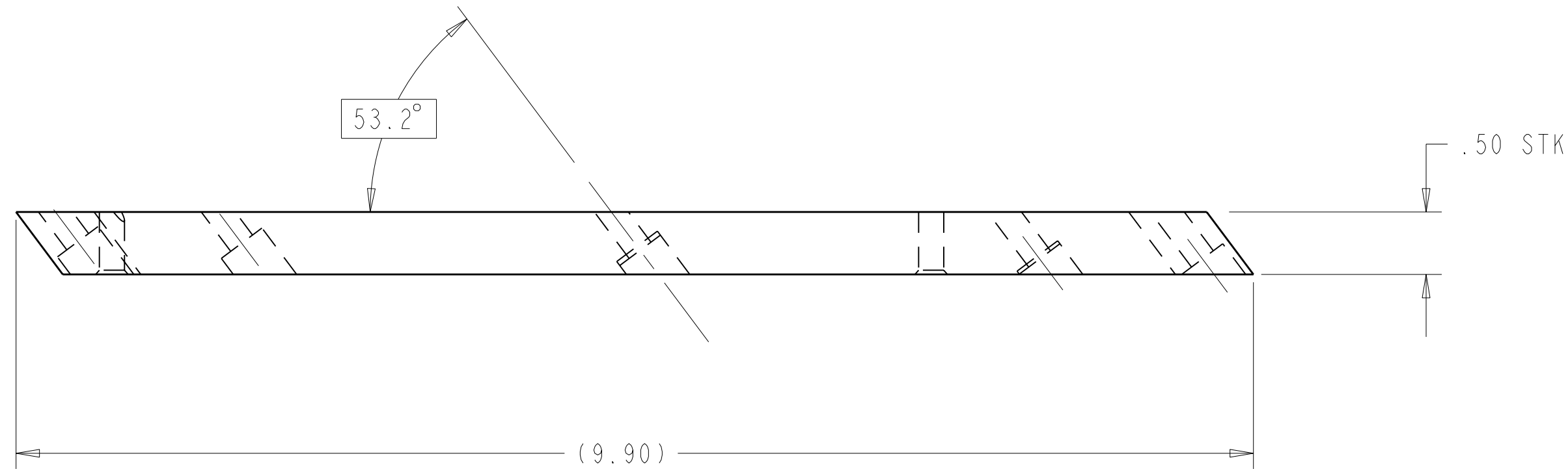


- NOTES
- DRAWING PREPARED IN ACCORDANCE WITH ASME Y14.100-2004.
  - INTERPRET DIMENSIONS AND TOLERANCES PER ASME Y14.5M-1994.
  - DIMENSIONS ARE IN INCHES.
  - PART TO BE MANUFACTURED FROM PRO/ENGINEER DATA FILE SE122-381.PRT. DIMENSIONS SHOWN ARE FOR PART VERIFICATION ONLY.



FLAT ORIENTATION

INSTALLED ORIENTATION

**RELEASED FOR  
FABRICATION / INSTALLATION**  
PPPL Drafting:

**-1 PORT 18 WINDING FORM SEAL OUTER PLATE** [4]  
SCALE 1.000

REV	DESCRIPTION	BY	DATE	CHK	DEPT	DATE	PE	REQ	DATE	ORNL	DOE	DATE
0	ORIGINAL ISSUE	RAH	01/07	SP		01/07						

AR	CAGE CODE	PART OR IDENTIFYING NO	NOMENCLATURE OR DESCRIPTION	MATERIAL	SPECIFICATION	FIND NO
4	AR	-1	PORT 18 WINDING FORM SEAL OUTER PLATE	GAROLITE	G-11	I

NEXT ASSEMBLY      PARTS LIST

NO REPRESENTATION OR WARRANTY, EXPRESSED OR IMPLIED, IS MADE AS TO THE ACCURACY, COMPLETENESS OR USEFULNESS OF THE INFORMATION OR STATEMENTS CONTAINED IN THESE DRAWINGS, OR THAT THE USE OR DISCLOSURE OF ANY INFORMATION, APPARATUS, METHOD OR PROCESS DISCLOSED IN THESE DRAWINGS MAY NOT INFRINGE PRIVATE RIGHTS OF OTHERS. NO LIABILITY IS ASSUMED WITH RESPECT TO THE USE OF, OR FOR DAMAGES RESULTING FROM THE USE OF, ANY INFORMATION, APPARATUS, METHOD OR PROCESS DISCLOSED IN THESE DRAWINGS. DRAWINGS MADE AVAILABLE FOR INFORMATION TO BIDDER ARE NOT TO BE USED FOR OTHER PURPOSES, AND ARE TO BE RETURNED UPON REQUEST OF THE FORWARDING CONTRACTOR.

**P** THIS DRAWING PRODUCED ON PRO-ENGINEER

SCALE NOTED		DES P. L. GORANSON 01/07	Oak Ridge National Laboratory managed for the DEPARTMENT OF ENERGY under U.S. GOVERNMENT contract DE-AC05-00OR22725 UT-BATTELLE, LLC, Oak Ridge, Tennessee	
TOLERANCES UNLESS OTHERWISE SPECIFIED		DRW R. A. HURD 01/07	<b>UT-BATTELLE</b>	
FRACTIONS ± .01		CHK S. PARSON 01/07	PROJECT NAME: NATIONAL COMPACT STELLARATOR EXPERIMENT	
XX DECIMALS ± .01		DEPT :	PORT 18 WINDING FORM SEAL OUTER PLATE	
XXX DECIMALS ± .005		PE :	VERSION NO. 4	
ANGLES ± 0°15'		CR :	PLANT ORNL	
BREAK SHARP EDGES OR MAX		PJ :	BLDG 5700	
FINISH .125 UNLESS OTHERWISE SPECIFIED		REQ :	FL 3	
		REP :	SHT 1	
		PPPL DRFT J. SIEGEL 01/07	OF 1	
			TYPE I	
			CLASS U	
			RELEASE LEVEL Fabrication	
			SE122-381	
			REV 0	