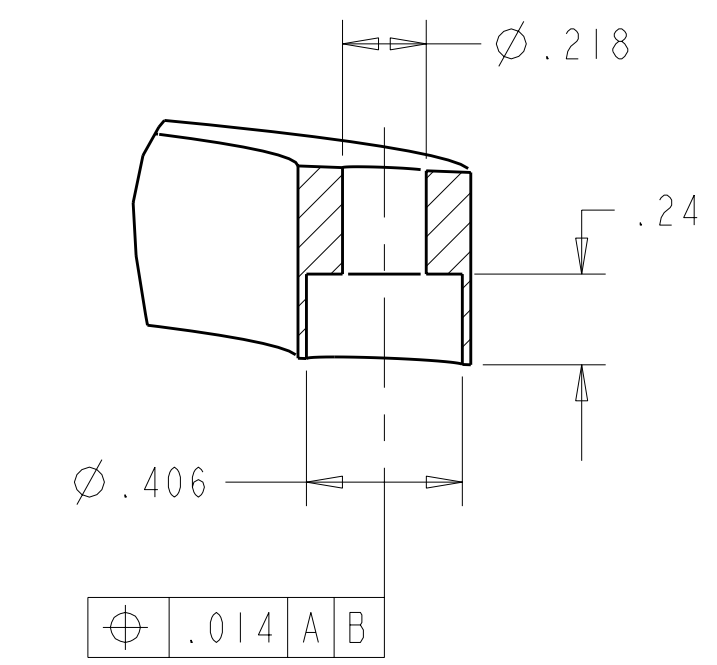
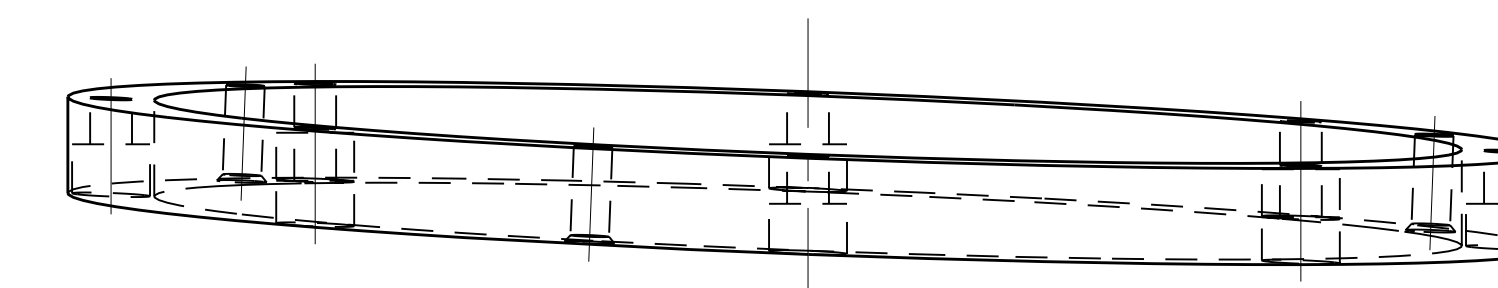
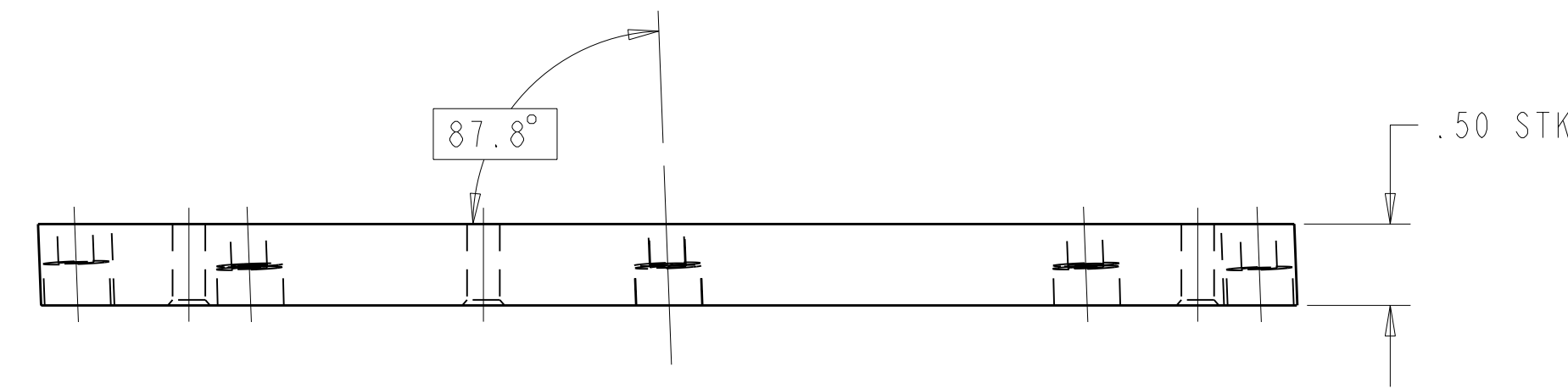
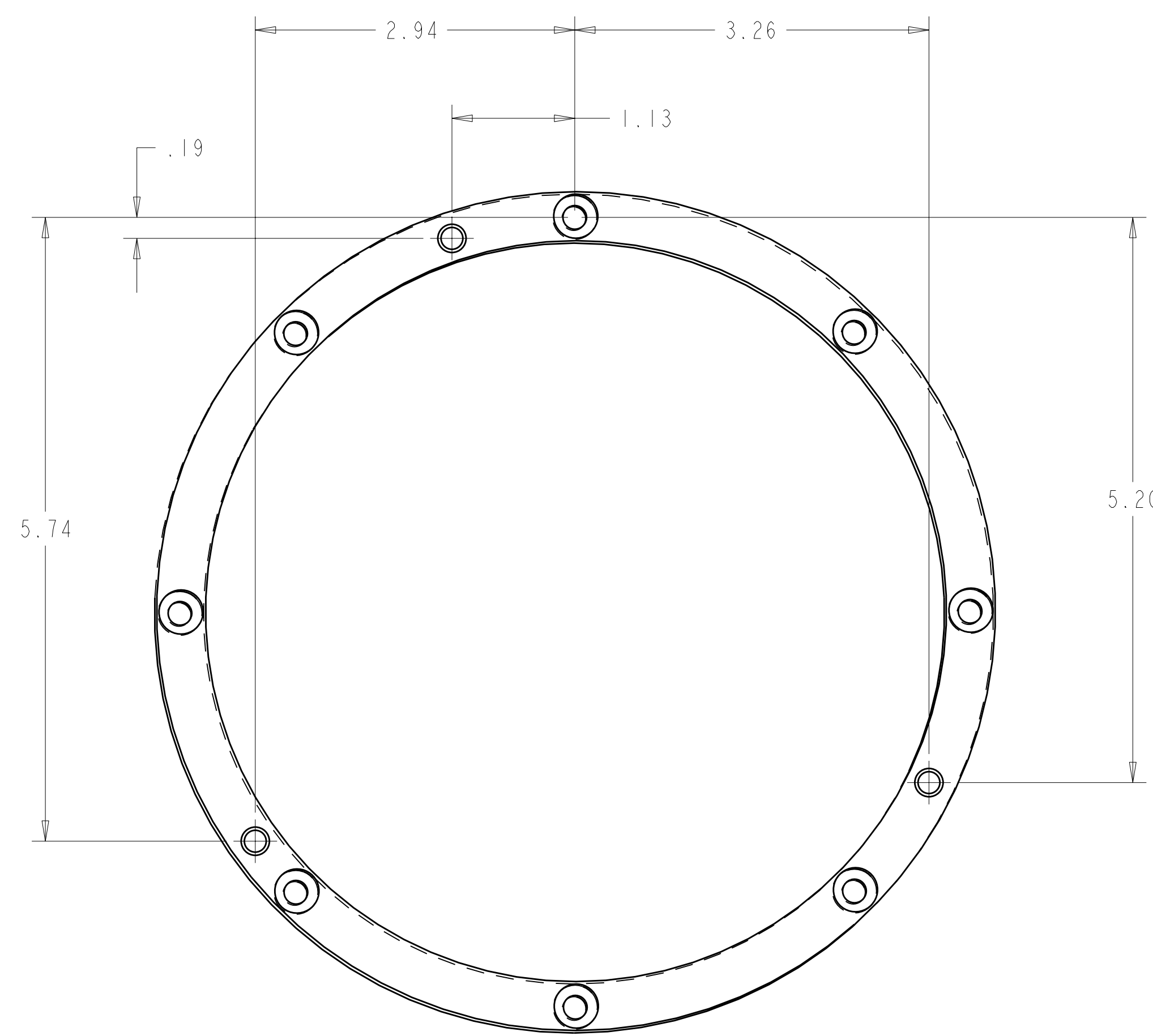


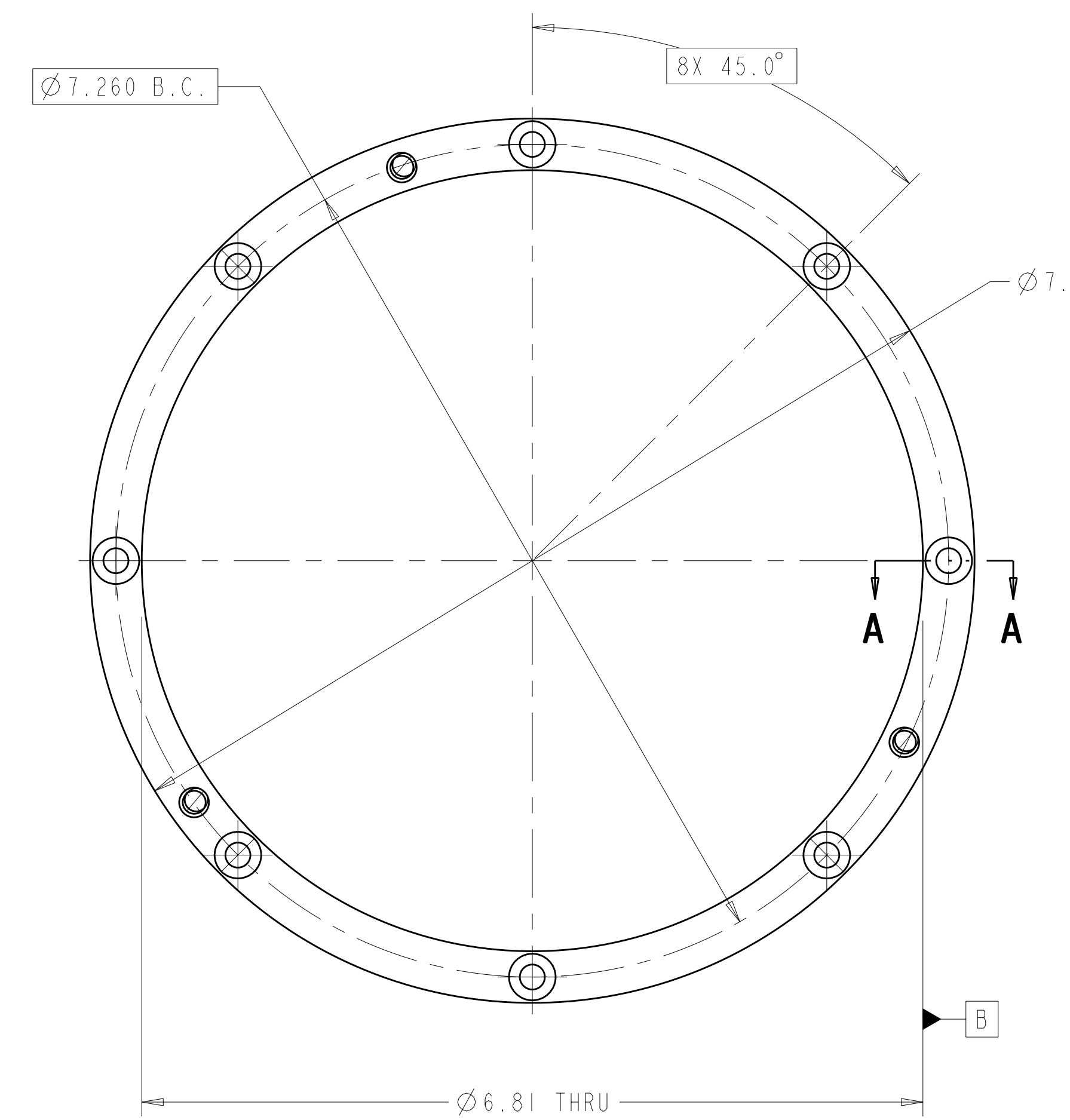
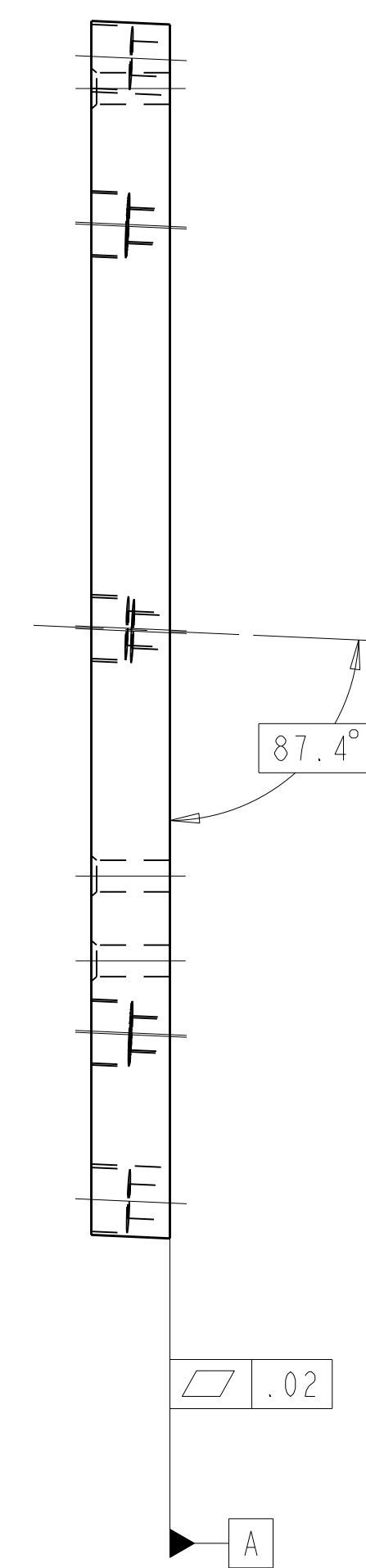
- NOTES
1. DRAWING PREPARED IN ACCORDANCE WITH ASME Y14.100-2004.
 2. INTERPRET DIMENSIONS AND TOLERANCES PER ASME Y14.5M-1994.
 3. DIMENSIONS ARE IN INCHES
 - 4 PART TO BE MANUFACTURED FROM PRO/ENGINEER DATA FILE SE122-385.PRT. DIMENSIONS SHOWN ARE FOR PART VERIFICATION ONLY.



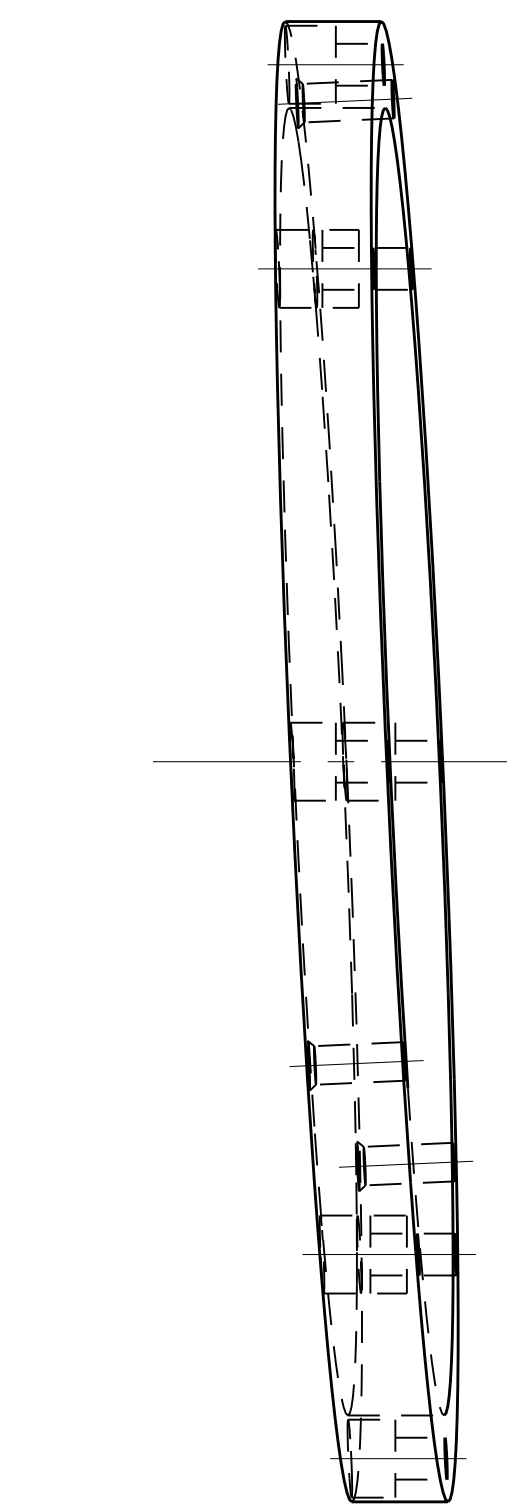
SECTION A-A
TYP 8X
SCALE 2.000



FLAT ORIENTATION



INSTALLED ORIENTATION



**RELEASED FOR
FABRICATION / INSTALLATION**
PPPL Drafting:

-1 PORT 8 WINDING FORM SEAL OUTER PLATE 4
SCALE 0.083

AR	CAGE CODE	PART OR IDENTIFYING NO	NOMENCLATURE OR DESCRIPTION	MATERIAL	SPECIFICATION	FIND NO
4	AR	-1	PORT 8 SEAL PLATE	GAROLITE	G-11	1
			NEXT ASSEMBLY	PARTS LIST		

NO REPRESENTATION OR WARRANTY, EXPRESSED OR IMPLIED, IS MADE AS TO THE ACCURACY, COMPLETENESS OR USEFULNESS OF THE INFORMATION OR STATEMENTS CONTAINED IN THESE DRAWINGS, OR THAT THE USE OR DISCLOSURE OF ANY INFORMATION, APPARATUS, METHOD OR PROCESS DISCLOSED IN THESE DRAWINGS MAY NOT INFRINGE PRIVATE RIGHTS OF OTHERS. NO LIABILITY IS ASSUMED WITH RESPECT TO THE USE OF, OR FOR DAMAGES RESULTING FROM THE USE OF, ANY INFORMATION, APPARATUS, METHOD OR PROCESS DISCLOSED IN THESE DRAWINGS. DRAWINGS MADE AVAILABLE FOR PURPOSES, AND ARE TO BE RETURNED UPON REQUEST OF THE FORWARDING CONTRACTOR.

P THIS DRAWING PRODUCED ON PRO-ENGINEER

REV	DESCRIPTION	BY	DATE	CHK	DEPT	PE	REQ	DATE	ORNL	DOE	DATE
0	ORIGINAL ISSUE	MTR	01/07	SP							

SCALE NOTED	DES P GORANSON 01/07	DRW MT BROWN 01/07	CHK S PARSON 01/07	SECT :	DEPT :	PE :	CR :	PJ :	RD :	PPPL DRFT J SIEGEL 01/07	VERSION NO. 6	PLANT ORNL	BLDG 5700	FL 3	SHT 1	OF 1	TYPE I	CLASS S	U
TOLERANCES UNLESS OTHERWISE SPECIFIED	Oak Ridge National Laboratory managed for the DEPARTMENT OF ENERGY under U.S. GOVERNMENT CONTRACT DE-AC05-00OR22725 UT-BATTELLE, LLC, Oak Ridge, Tennessee PROJECT NAME: NATIONAL COMPACT STELLARATOR EXPERIMENT PORT 8 WINDING FORM SEAL PLATE OUTER PLATE RELEASE LEVEL Fabrication SE122-385 REV 0																		