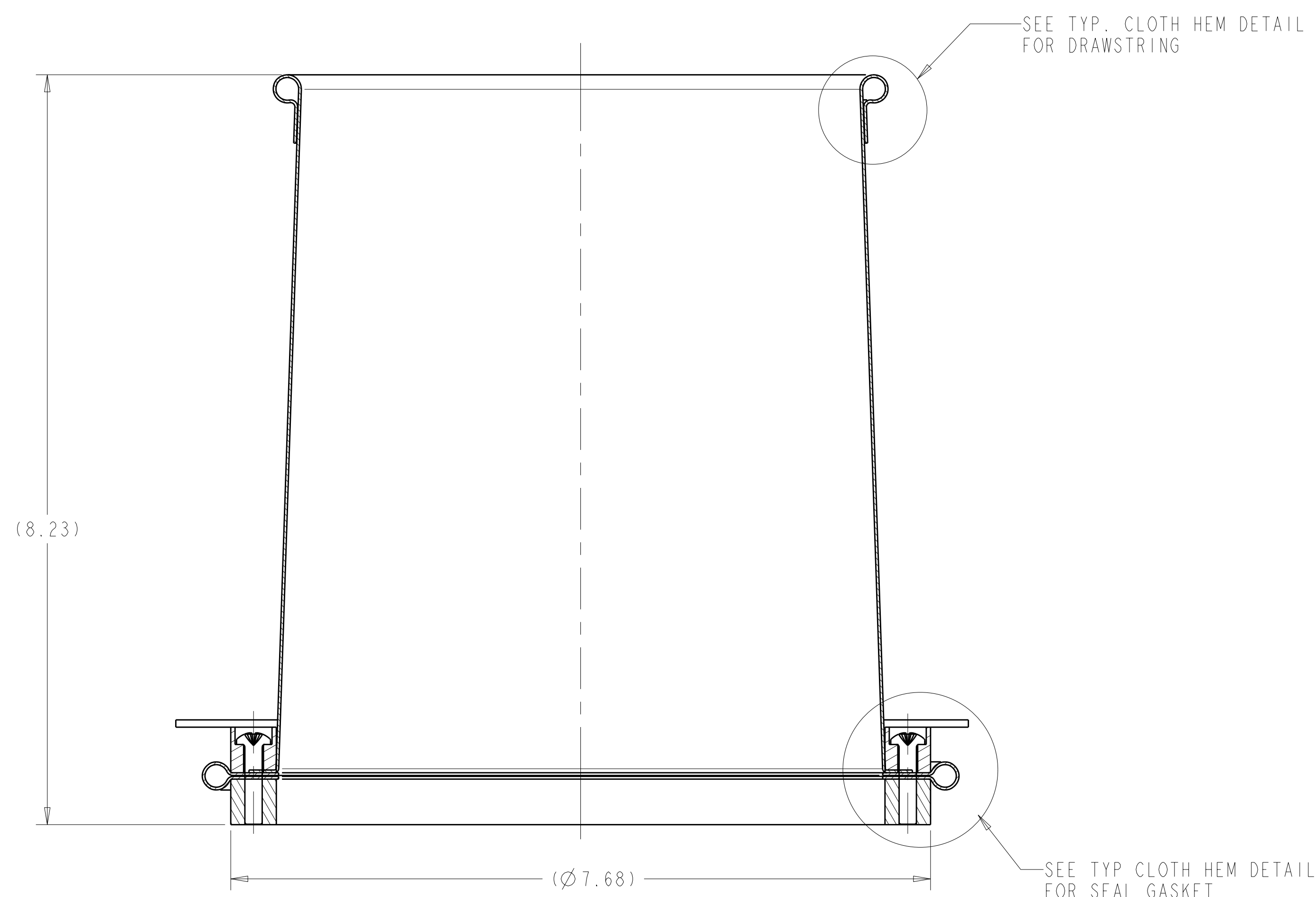
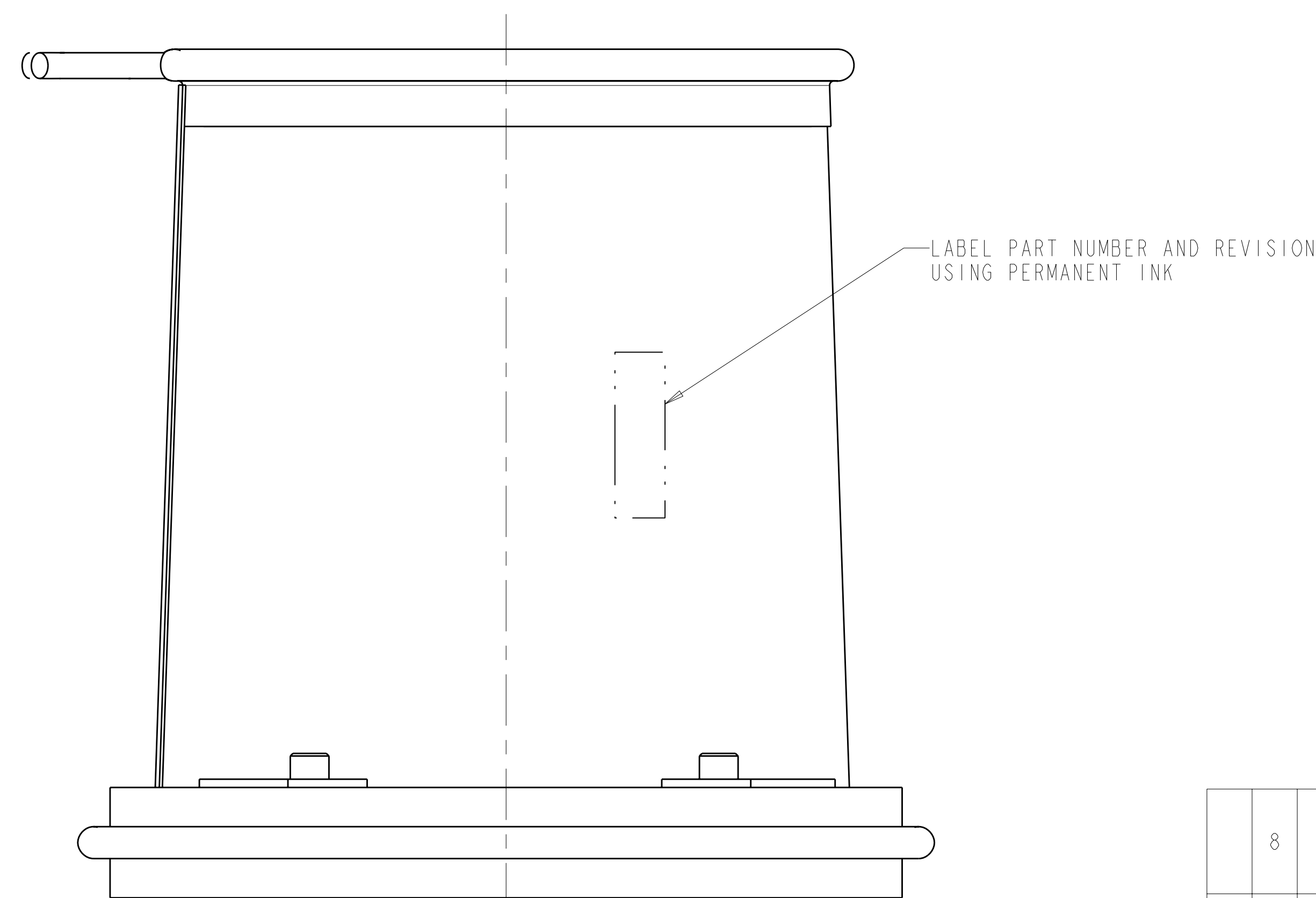


ISOMETRIC VIEW



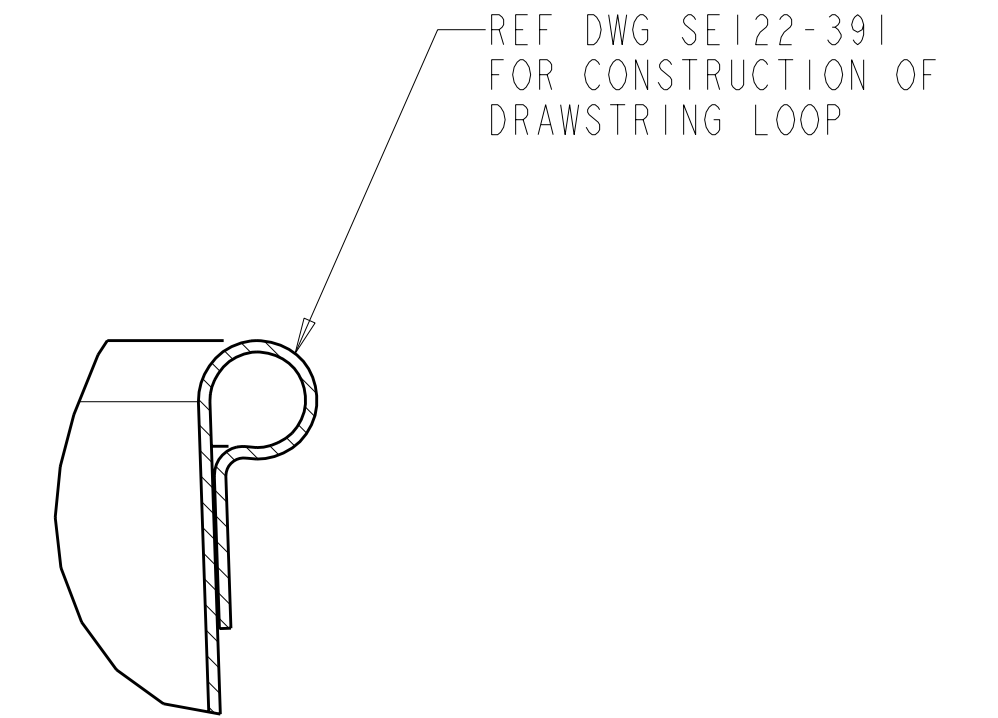
SECTION A-A



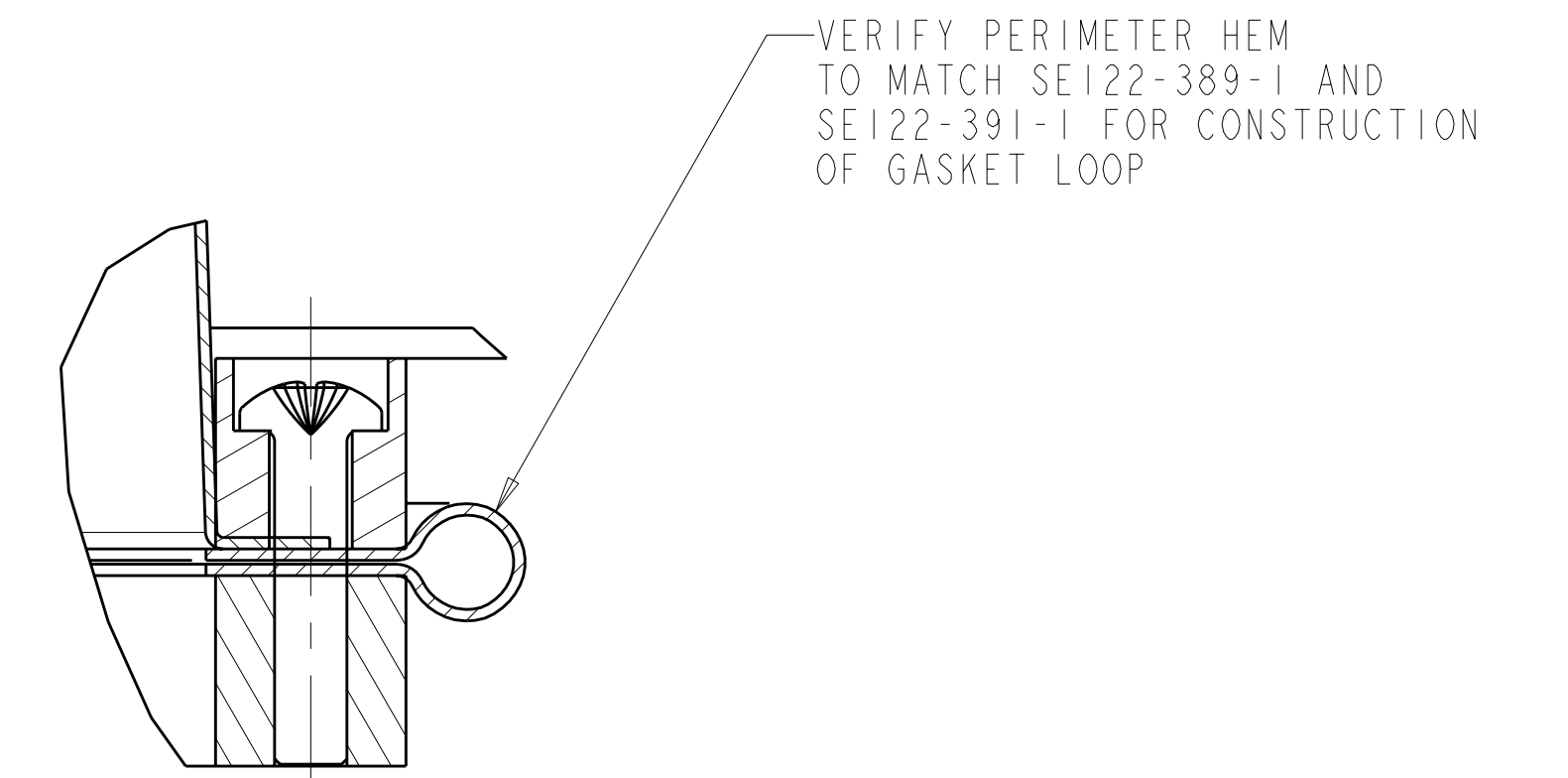
1 SPACER PORT WINDING FORM SEAL ASSEMBLY
SCALE 1.000

NOTES

1. DRAWING PREPARED IN ACCORDANCE WITH ASME Y14.100-2004.
2. INTERPRET DIMENSIONS AND TOLERANCES PER ASME Y14.5M-1994.
3. DIMENSIONS ARE IN INCHES.



TYPICAL CLOTH HEM DETAIL FOR DRAWSTRING
SCALE 2.000



TYPICAL CLOTH HEM DETAIL FOR SEAL GASKET
SCALE 2.000

RELEASED FOR FABRICATION / INSTALLATION
PPPL Drafting:

REV	DESCRIPTION	BY	DATE	CHK	DEPT	DATE	PE	REQ	DATE	ORNL	DOE	DATE
0	ORIGINAL ISSUE	MTR	01/07	SP		01/07						
1	REVISION OR ISSUE PURPOSE											

CAGE CODE	PART OR IDENTIFYING NO	NOMENCLATURE OR DESCRIPTION	MATERIAL	SPECIFICATION	FIND NO
8	94070A247	#10-24 UNC X 1.00 LG PAN HEAD PHILLIPS MACHINE SCREW	BRASS	MCMaster CARR P.O. BOX 740100 ATLANTA, GA 30374-0100 (404) 346-7000 WWW.MCMaster.COM	7
3	93465A537	1/4-20 UNC X .50 LG SHCS			6
3	SE122-399-1	PORT CLIP			5
1	SE122-391-1	SPACER PORT WINDING FORM SEAL BOOT ASSEMBLY			4
1	SE122-390-1	SPACER PORT WINDING FORM SEAL INNER PLATE			3
1	SE122-389-1	SPACER PORT WINDING FORM SEAL OUTER PLATE			2
AR	X	-1			1

← NEXT ASSEMBLY

NO REPRESENTATION OR WARRANTY, EXPRESSED OR IMPLIED, IS MADE AS TO THE ACCURACY, COMPLETENESS OR USEFULNESS OF THE INFORMATION OR STATEMENTS CONTAINED IN THESE DRAWINGS, OR THAT THE USE OR DISCLOSURE OF ANY INFORMATION, APPARATUS, METHOD OR PROCESS DISCLOSED IN THESE DRAWINGS MAY NOT INFRINGE PRIVATE RIGHTS OF OTHERS. NO LIABILITY IS ASSUMED WITH RESPECT TO THE USE OF, OR FOR DAMAGES RESULTING FROM THE USE OF, ANY INFORMATION, APPARATUS, METHOD OR PROCESS DISCLOSED IN THESE DRAWINGS. DRAWINGS MADE AVAILABLE FOR PURPOSES, AND ARE TO BE RETURNED UPON REQUEST OF THE FORWARDING CONTRACTOR.

P THIS DRAWING PRODUCED ON PRO-ENGINEER

SCALE NOTED

DES	PL GORANSON	01/07
DRW	MT BROWN	01/07
CHK	S PARSON	01/07
SECT		
DEPT		
PE		
CR		
PJ		
REQ		
FINISH		

UT-BATTELLE		Oak Ridge National Laboratory managed for the DEPARTMENT OF ENERGY under U.S. GOVERNMENT contract DE-AC05-00OR22725 UT-BATTELLE, LLC. Oak Ridge, Tennessee	
NATIONAL COMPACT STELLARATOR EXPERIMENT			
SPACER PORT WINDING FORM SEAL ASSEMBLY			
PPPL DRFT	J SIEGEL	01/07	
VERSION NO.	6	PLANT	ORNL
BLDG	5700	FL	3
SHT	1	OF	1
TYPE	A	CLASS	U
REV	0	RELEASE LEVEL	Fabrication
DRAWING APPROVALS		SE122-388	