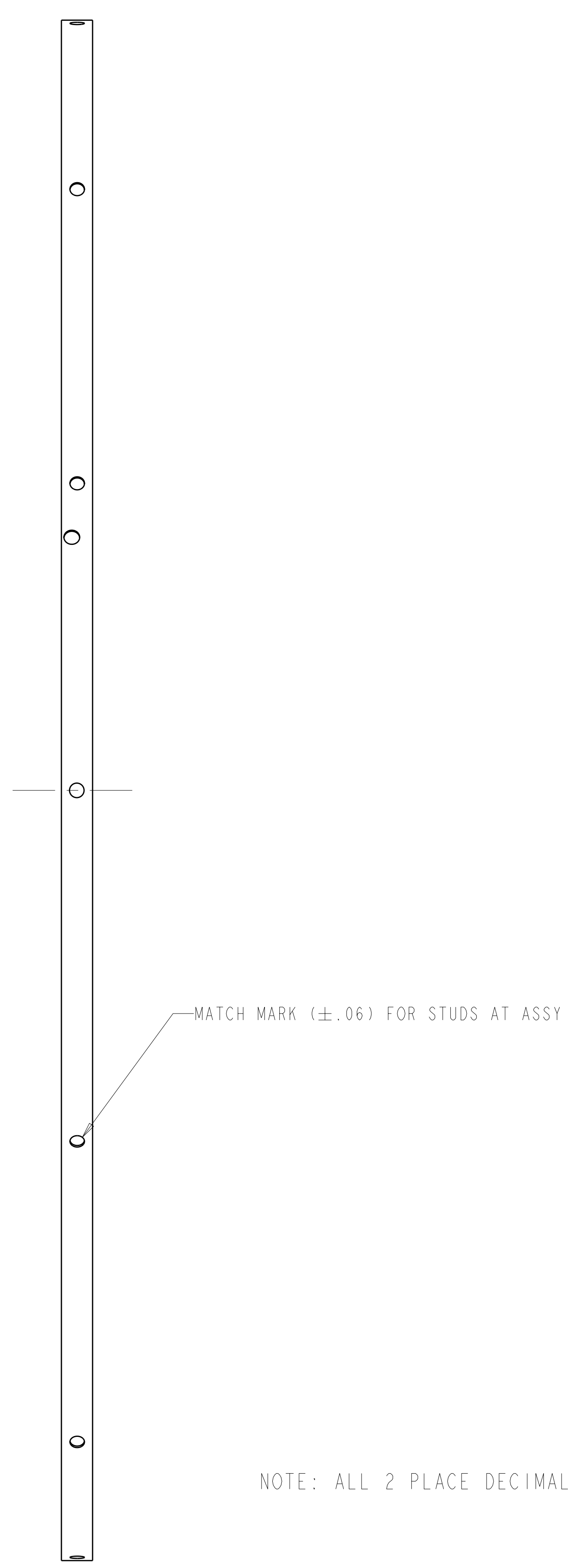
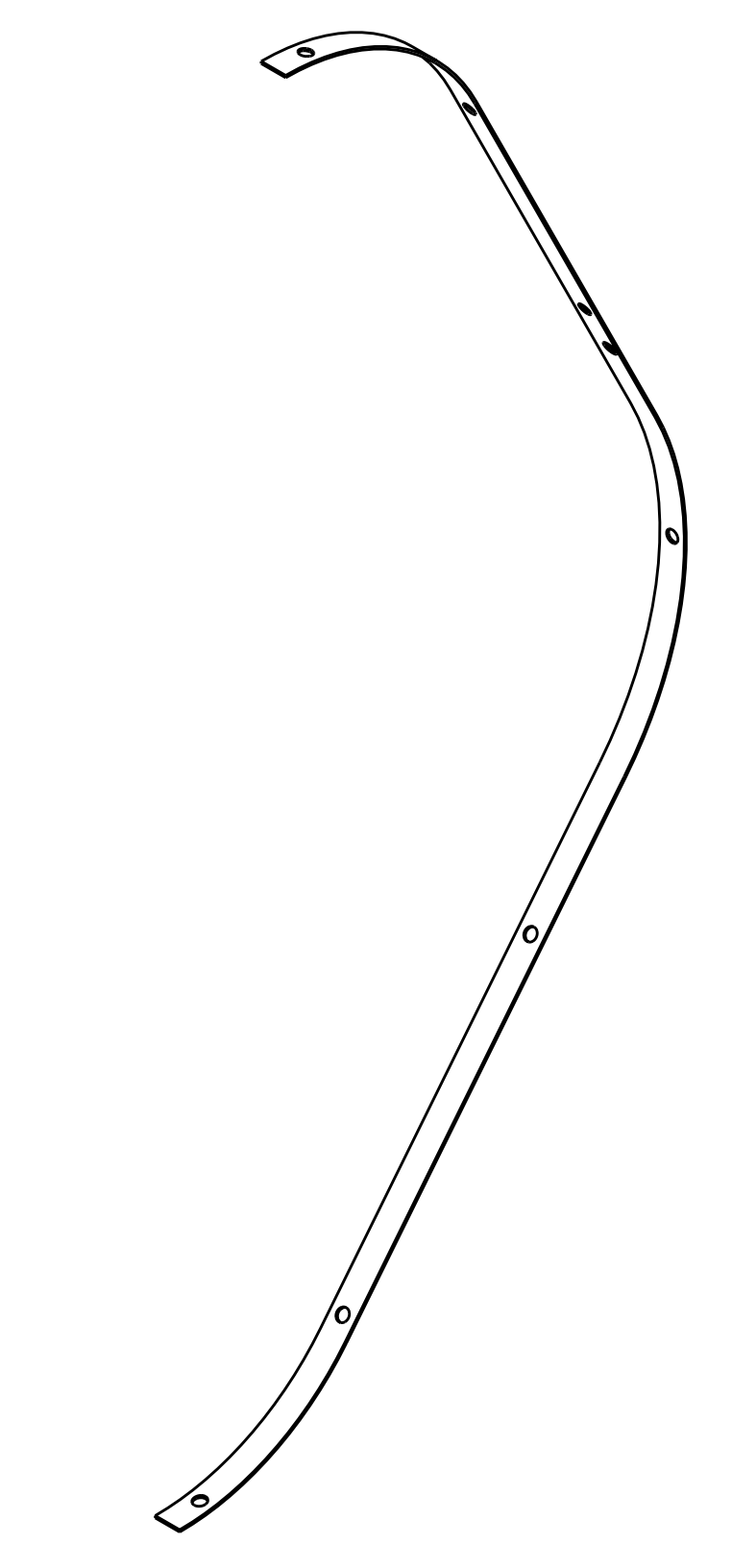


INSTALLED FORM
SCALE .50
FORM AROUND MATING PART AT ASSY [5]

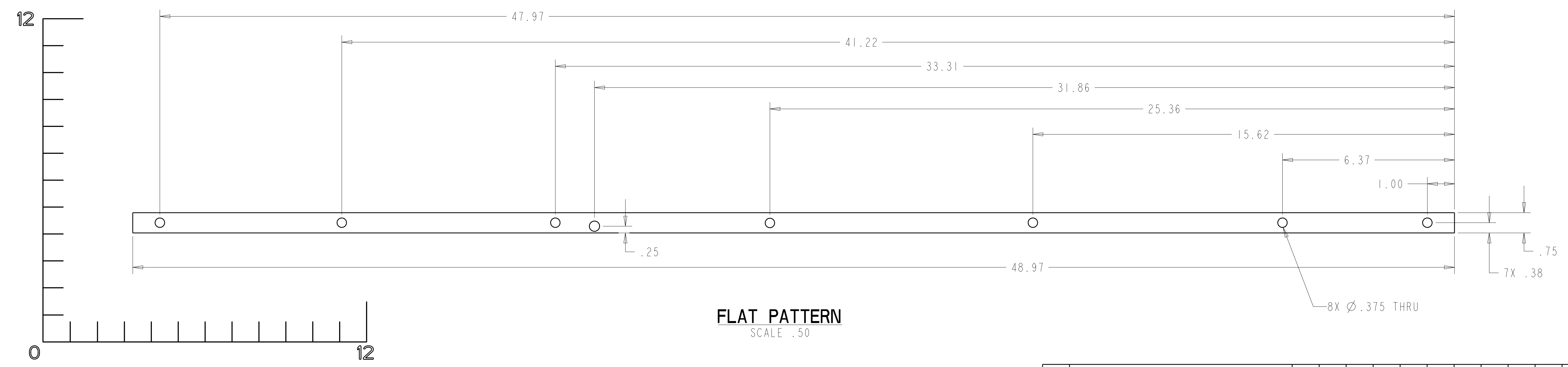


1 NEUTRAL BEAM PORT BOOT RETAINER STRAP AT MAN PORT [4] [5]
SCALE .50

- NOTES
- DRAWING PREPARED IN ACCORDANCE WITH ASME Y14.100-2004.
 - INTERPRET DIMENSIONS AND TOLERANCES PER ASME Y14.5M-1994.
 - DIMENSIONS ARE IN INCHES
 - FLAT PART TO BE MANUFACTURED FROM PRO/ENGINEER DATA FILE SE122-394-FLAT.PRT. DIMENSIONS SHOWN ARE FOR PART VERIFICATION ONLY.
 - FORM TO MATCH CONTOUR OF PORT AT INSTALLATION.
 - MAGNETIC PERMEABILITY NOT TO EXCEED 1.02 AS TESTED BY A SEVERN INDICATOR. AVAILABLE FROM:
SEVERN ENGINEERING
AUBURN, ALABAMA 36830
WWW.SEVERNENGINEERING.COM



ISOMETRIC VIEW
SCALE .25



FLAT PATTERN
SCALE .50

**RELEASED FOR
FABRICATION / INSTALLATION**
PPPL Drafting:

CAGE CODE	PART OR IDENTIFYING NO	NOMENCLATURE OR DESCRIPTION	MATERIAL	SPECIFICATION	FIND NO
SE122-394-1	-1	NEUTRAL BEAM PORT BOOT RETAINER STRAP AT MAN PORT	16 GA (.06 THK) 316L SST	ASTM A240	I
NEXT ASSEMBLY			PARTS LIST		

1:1 SCALE AT FULL SIZE

NO REPRESENTATION OR WARRANTY, EXPRESSED OR IMPLIED, IS MADE AS TO THE ACCURACY, COMPLETENESS OR USEFULNESS OF THE INFORMATION OR STATEMENTS CONTAINED IN THESE DRAWINGS, OR THAT THE USE OR DISCLOSURE OF ANY INFORMATION, APPARATUS, METHOD OR PROCESS DISCLOSED IN THESE DRAWINGS MAY NOT INFRINGE PRIVATE RIGHTS OF OTHERS. NO LIABILITY IS ASSUMED WITH RESPECT TO THE USE OF, OR FOR DAMAGES RESULTING FROM THE USE OF, ANY INFORMATION, APPARATUS, METHOD OR PROCESS DISCLOSED IN THESE DRAWINGS. DRAWINGS MADE AVAILABLE FOR PURPOSES, AND ARE TO BE RETURNED UPON REQUEST OF THE FORWARDING CONTRACTOR.

P THIS DRAWING PRODUCED ON PRO-ENGINEER

REV	DESCRIPTION	BY	DATE	CHK	DEPT	DATE	PE	REQ	DATE	ORNL	DOE	DATE
0	ORIGINAL ISSUE	MTR	01/07	SP		01/07						
REVISION OR ISSUE PURPOSE												

SCALE NOTED		DES	PL	DRW	CHK	SECT	DEPT	FRAC	XX DEC	XXX DEC	ANGLES	BREAK	FINISH	PPPL	DRFT	DATE	VERSION NO.	PLANT	BLDG	FL	SHT	OF	TYPE	CLASS
TOLERANCES UNLESS OTHERWISE SPECIFIED		PL	GORANSON	MT	BROWN	S	PARSON		±.03	±.005	±0°15'	OR MAX	±.125 UNLESS OTHERWISE SPECIFIED	PPPL	DRFT	J SIEGEL	5	ORNL	5700	3	1	1	S	U
NATIONAL COMPACT STELLARATOR EXPERIMENT																								
NEUTRAL BEAM PORT BOOT RETAINER STRAP AT MAN PORT																								
RELEASE LEVEL Fabrication																								
SE122-394																								
REV 0																								

B SE122-394