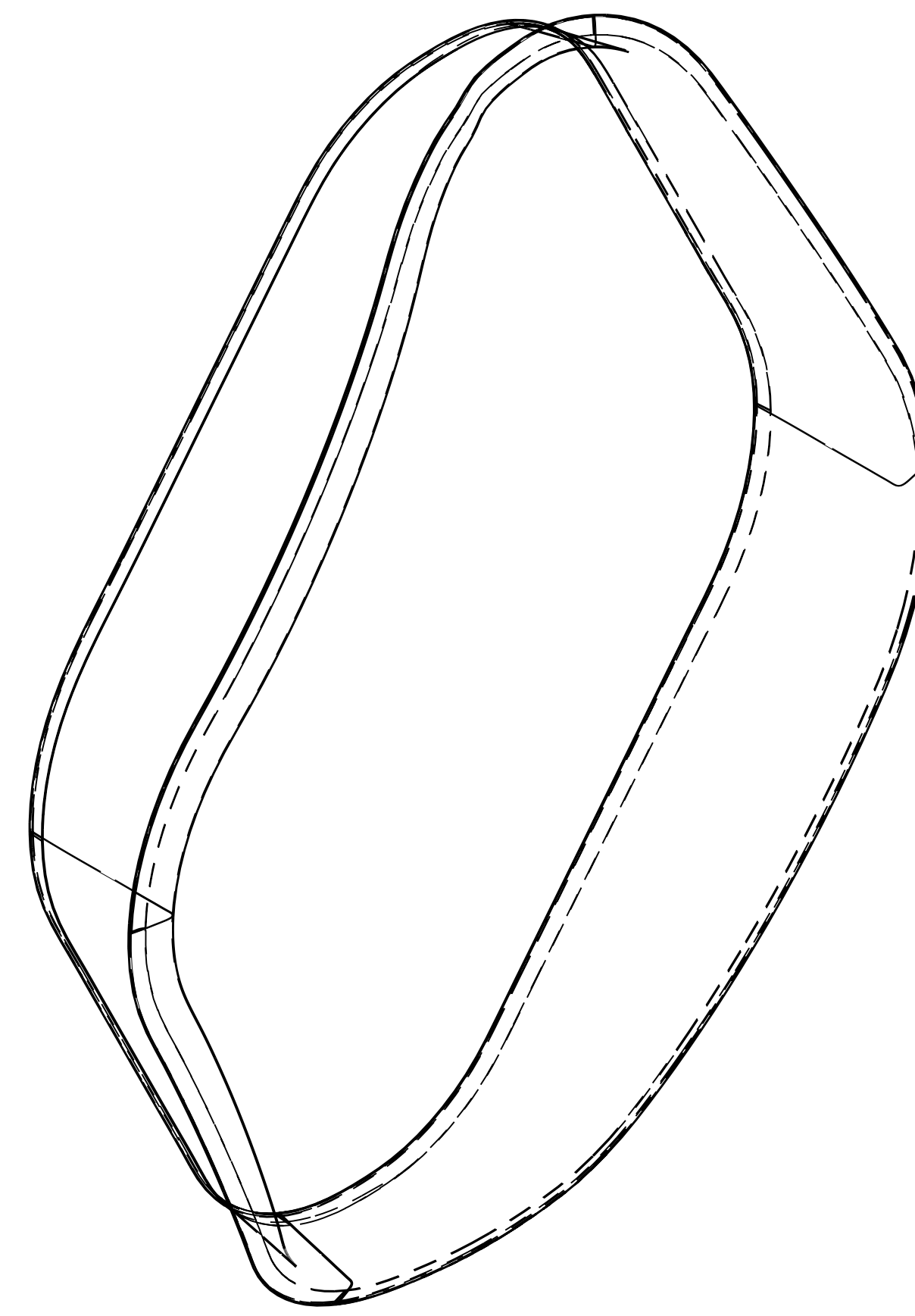
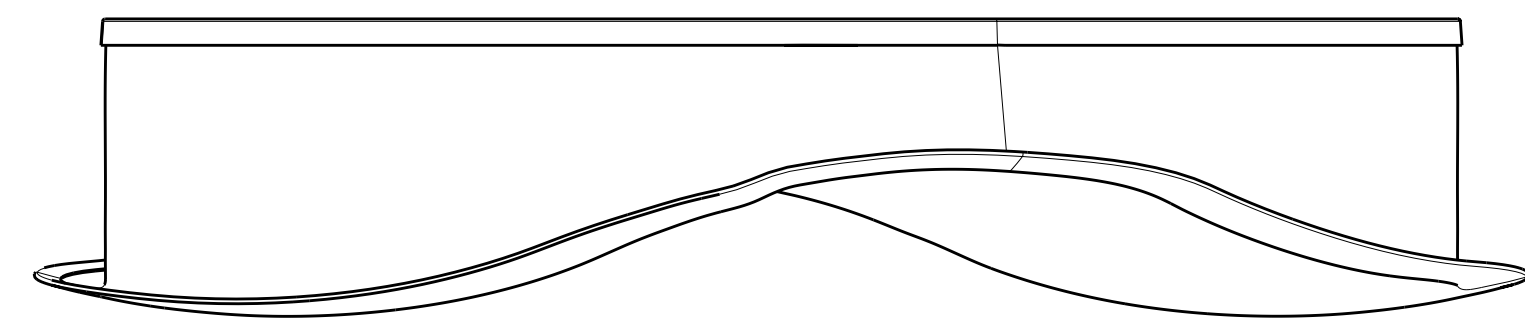
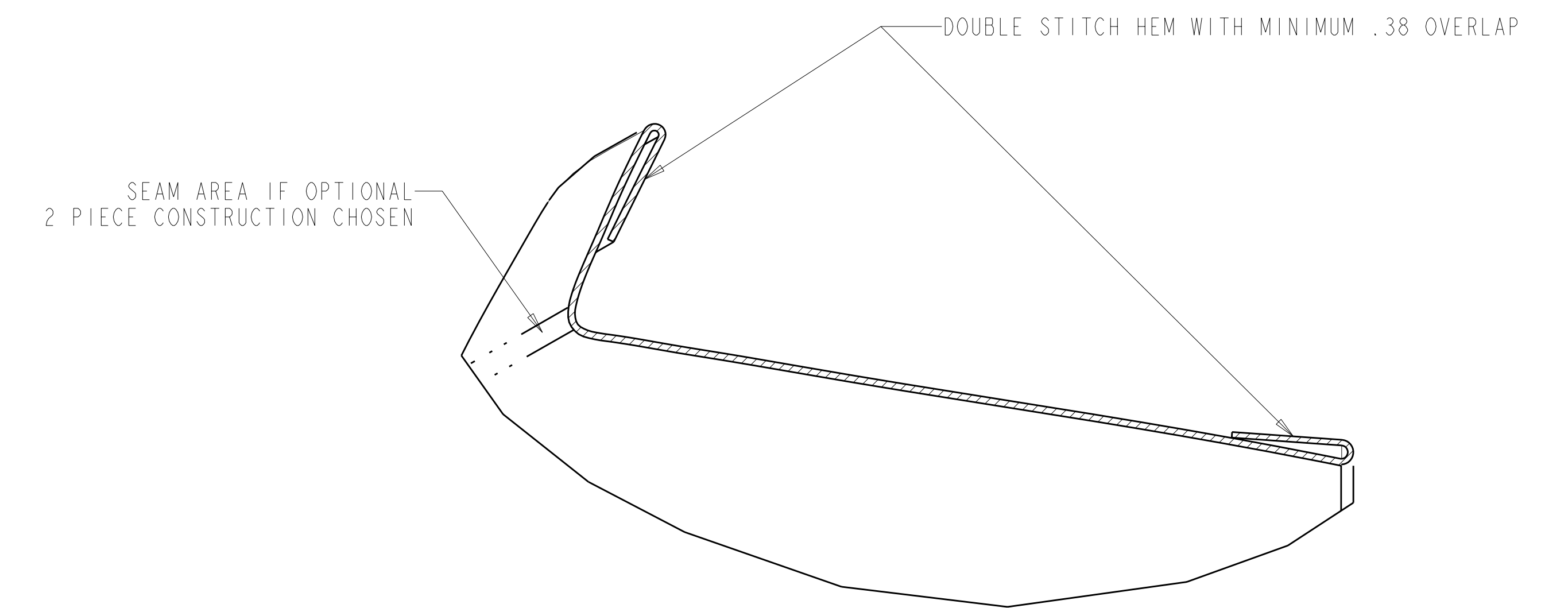


NOTES

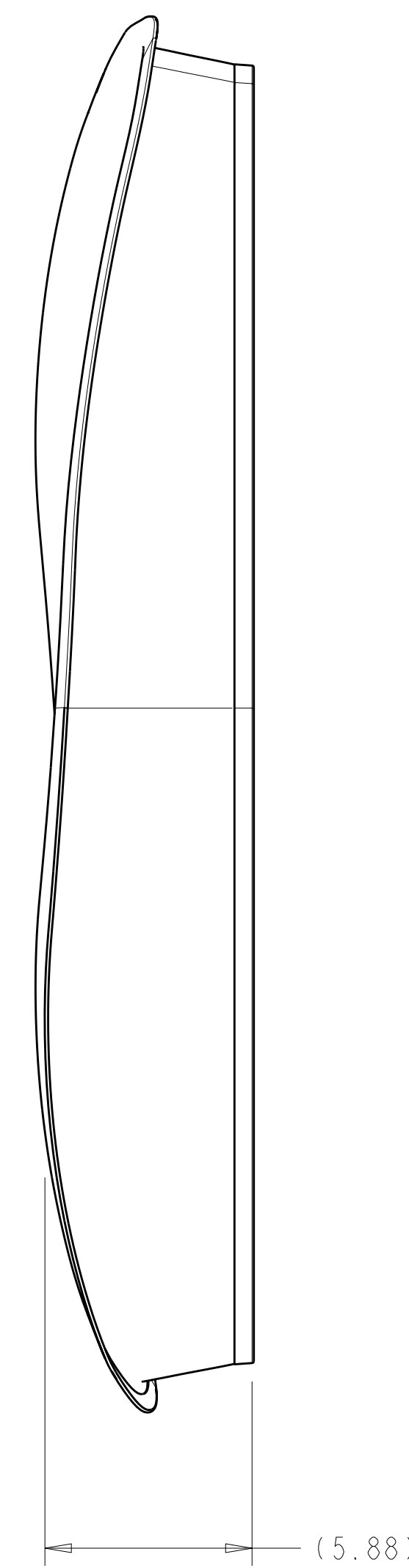
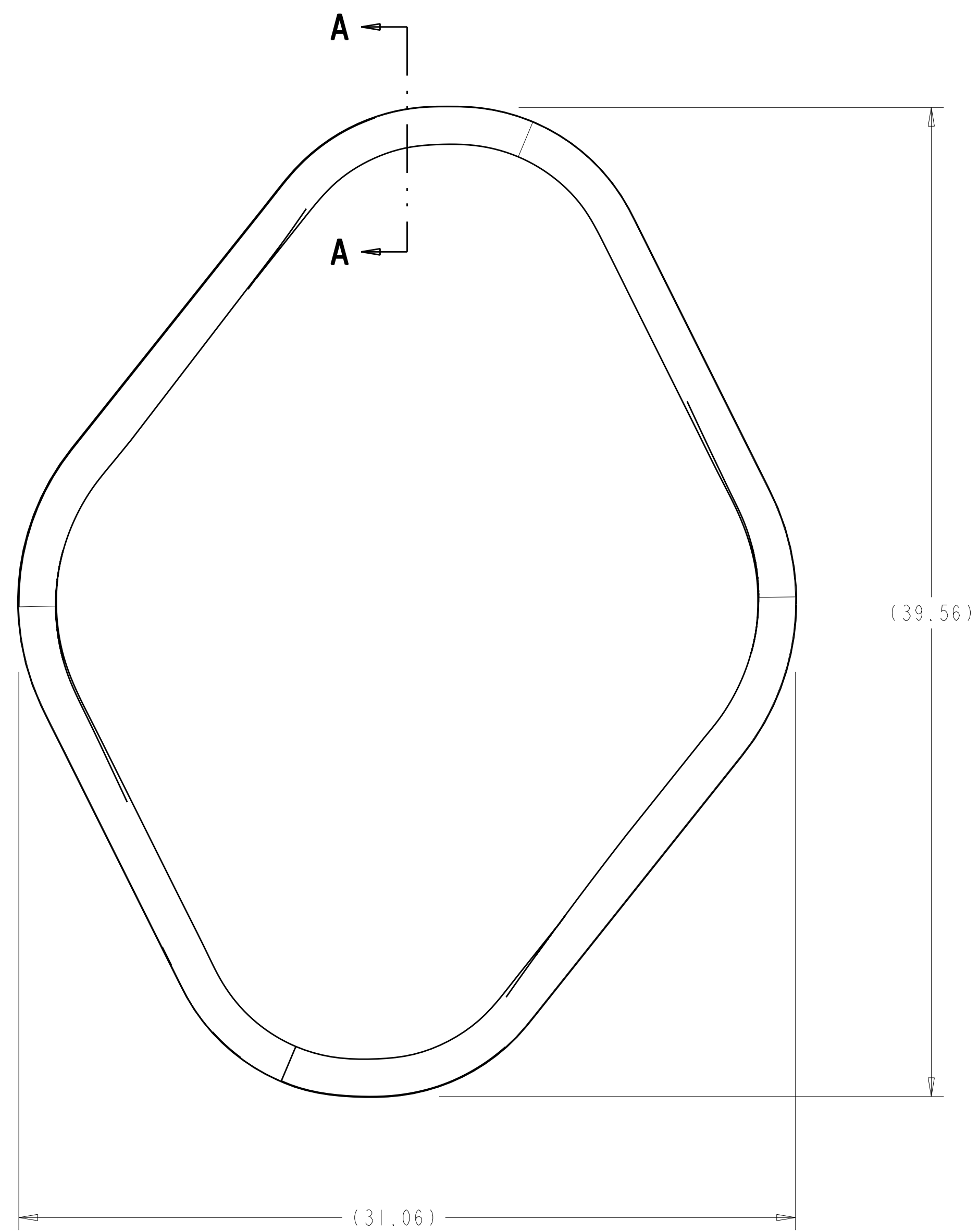
1. DRAWING PREPARED IN ACCORDANCE WITH ASME Y14.100-2004.
2. INTERPRET DIMENSIONS AND TOLERANCES PER ASME Y14.5M-1994.
3. DIMENSIONS ARE IN INCHES
4. FLAT PATTERNS TO BE CREATED FROM FULL SIZE PLOT. VERIFY PLOT SIZE WITH 1:1 SCALE GRAPH PROVIDED ON DRAWING.
5. FLAT PATTERNS SHALL MATCH FULL SIZE PLOT WITHIN +/- .06.



ISOMETRIC VIEW



SECTION A-A  
SCALE 2.00



-1 NEUTRAL BEAM SEAL BOOT [4]  
SCALE .25

**RELEASED FOR  
FABRICATION / INSTALLATION**  
PPPL Drafting:

CAGE CODE	PART OR IDENTIFYING NO	NOMENCLATURE OR DESCRIPTION	MATERIAL	SPECIFICATION	FIND NO
SE122-396-1	-1	NEUTRAL BEAM SEAL BOOT		NCSX-PRL-12-001	1

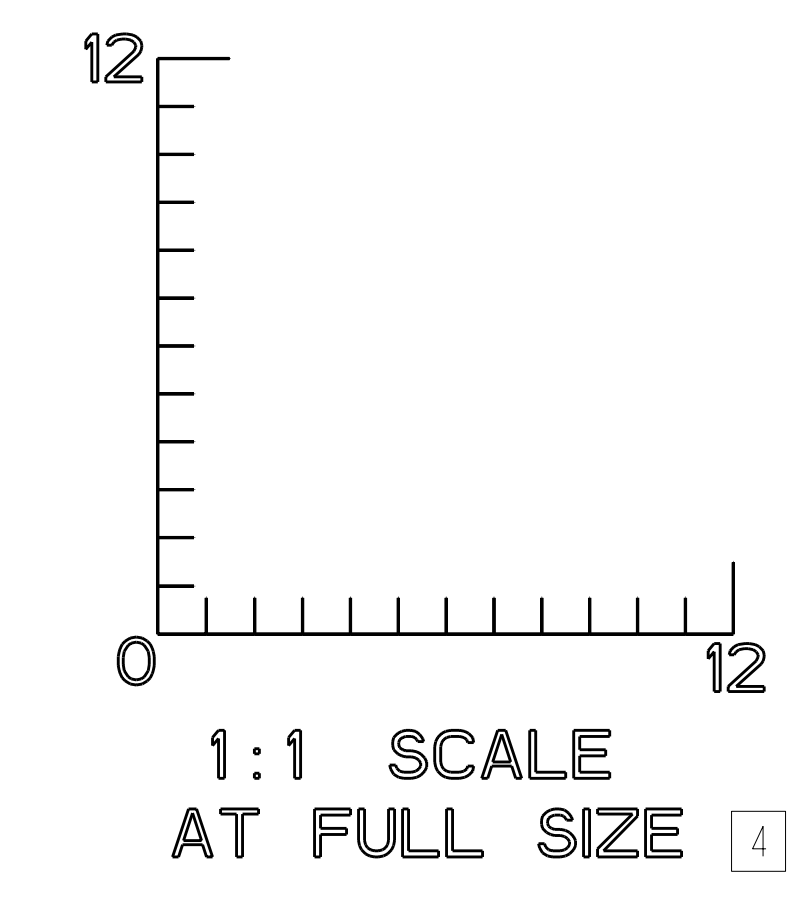
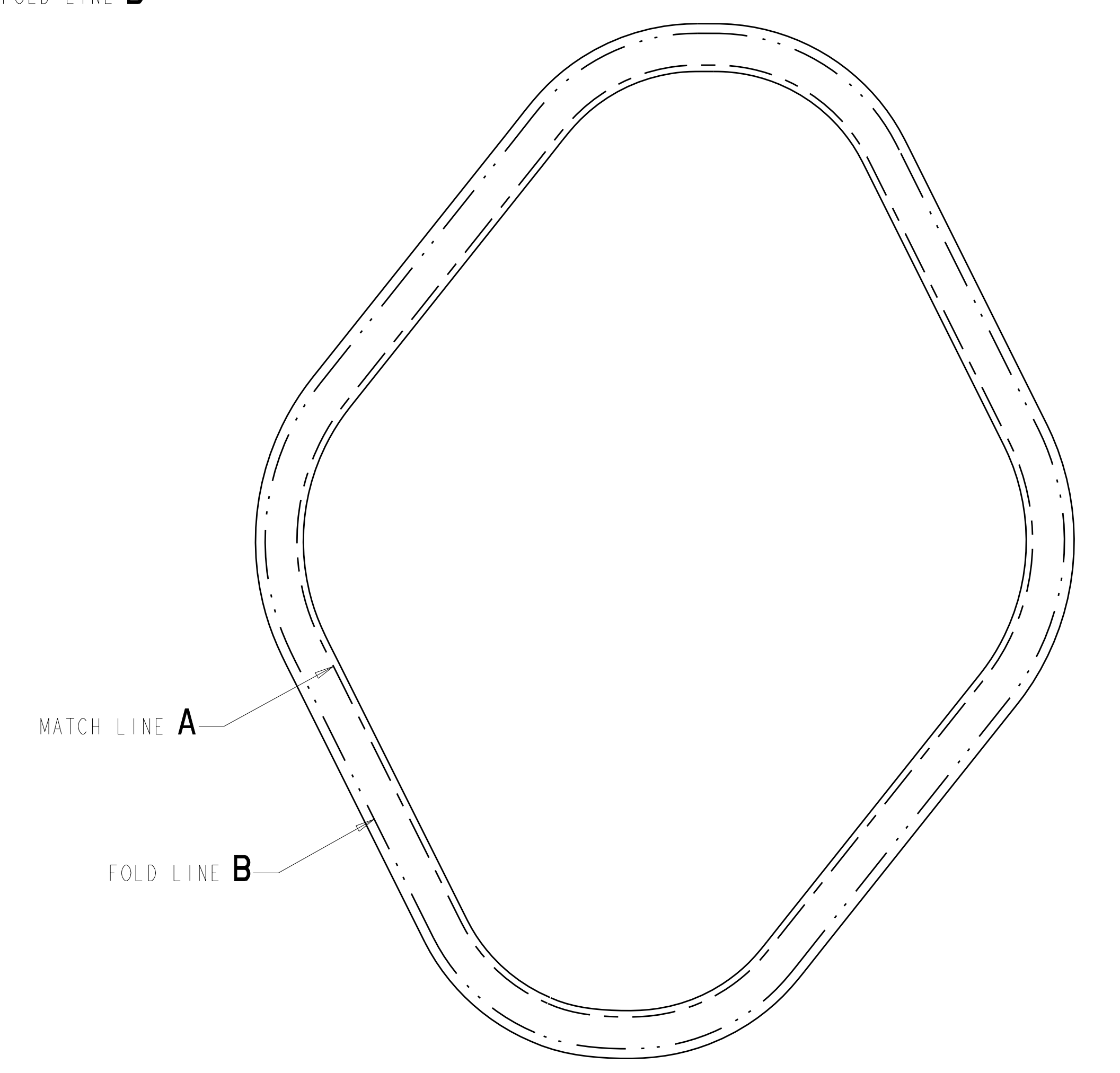
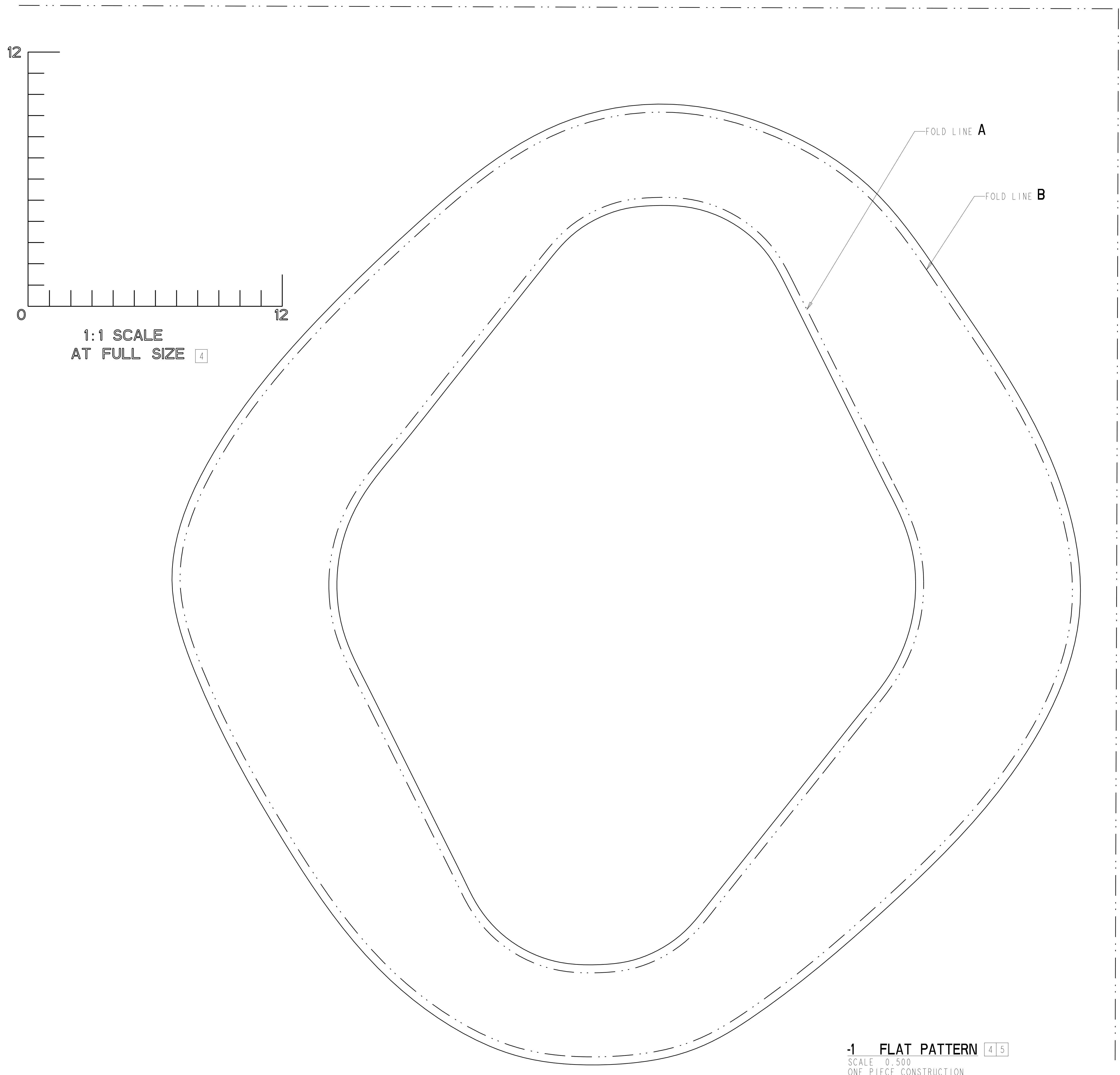
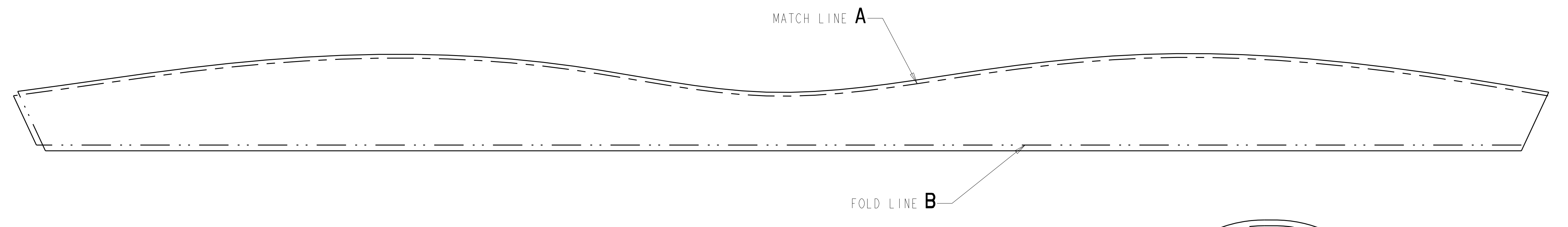
NEXT ASSEMBLY      PARTS LIST

NO REPRESENTATION OR WARRANTY, EXPRESSED OR IMPLIED, IS MADE AS TO THE ACCURACY, COMPLETENESS OR USEFULNESS OF THE INFORMATION OR STATEMENTS CONTAINED IN THESE DRAWINGS, OR THAT THE USE OR DISCLOSURE OF ANY INFORMATION, APPARATUS, METHOD OR PROCESS DISCLOSED IN THESE DRAWINGS MAY NOT INFRINGE PRIVATE RIGHTS OF OTHERS. NO LIABILITY IS ASSUMED WITH RESPECT TO THE USE OF, OR FOR DAMAGES RESULTING FROM THE USE OF, ANY INFORMATION, APPARATUS, METHOD OR PROCESS DISCLOSED IN THESE DRAWINGS. DRAWINGS MADE AVAILABLE FOR INFORMATION TO BIDDER ARE NOT TO BE USED FOR OTHER PURPOSES, AND ARE TO BE RETURNED UPON REQUEST OF THE FORWARDING CONTRACTOR.

**P** THIS DRAWING PRODUCED ON PRO-ENGINEER

REV	DESCRIPTION	BY	DATE	CHK	DEPT	DATE	PE	REQ	DATE	ORNL	DOE	DATE
0	ORIGINAL ISSUE	MTR	01/07	SP		01/07						

SCALE NOTED		DES	PL GORANSON	01/07	Oak Ridge National Laboratory managed for the DEPARTMENT OF ENERGY under U.S. GOVERNMENT contract DE-AC05-00OR22725 UT-BATTELLE, LLC, Oak Ridge, Tennessee	
TOLERANCES UNLESS OTHERWISE SPECIFIED		DRW	MT BROWN	01/07	UT-BATTELLE	
FRACTIONS		CHK	S. PARSON	01/07	PROJECT NAME: NATIONAL COMPACT STELLARATOR EXPERIMENT	
XX DECIMALS ±.01		SECT			NEUTRAL BEAM SEAL BOOT	
XXX DECIMALS ±.005		DEPT			VERSION NO. 4	
ANGLES ±0°15'		PE			PLANT ORNL	
BREAK SHARP EDGES OR MAX		CR			BLDG 5700	
FINISH .125 UNLESS OTHERWISE SPECIFIED		PJ			FL 3	
		REG			SHT 1	
		REP			OF 2	
		PPPL DRFT	J SIEGEL	01/07	TYPE S	
		DATE			CLASS U	
		DRAWING APPROVALS			REV 0	
		DATE			RELEASE LEVEL Fabrication	
					SE122-396	



-1 FLAT PATTERN [4] [5]  
 SCALE: 0.25  
 (OPTIONAL 2 PIECE CONSTRUCTION)

-1 FLAT PATTERN [4] [5]  
 SCALE: 0.500  
 ONE PIECE CONSTRUCTION

**RELEASED FOR  
 FABRICATION / INSTALLATION**  
 PPPL Drafting:

Oak Ridge National Laboratory managed for the DEPARTMENT OF ENERGY under U.S. GOVERNMENT contract DE-AC05-00OR22725 UT-BATTELLE, LLC, Oak Ridge, Tennessee <small>PROJECT NAME</small>									
<b>UT-BATTELLE</b> <b>NATIONAL COMPACT STELLARATOR EXPERIMENT</b>									
<b>NEUTRAL BEAM SEAL BOOT</b>									
VERSION NO. 4	PLANT ORNL	BLDG 5700	FL 3	SHT OF 2	TYPE S	CLASS U			
RELEASE LEVEL Fabrication		SE 122-396				REV 0			