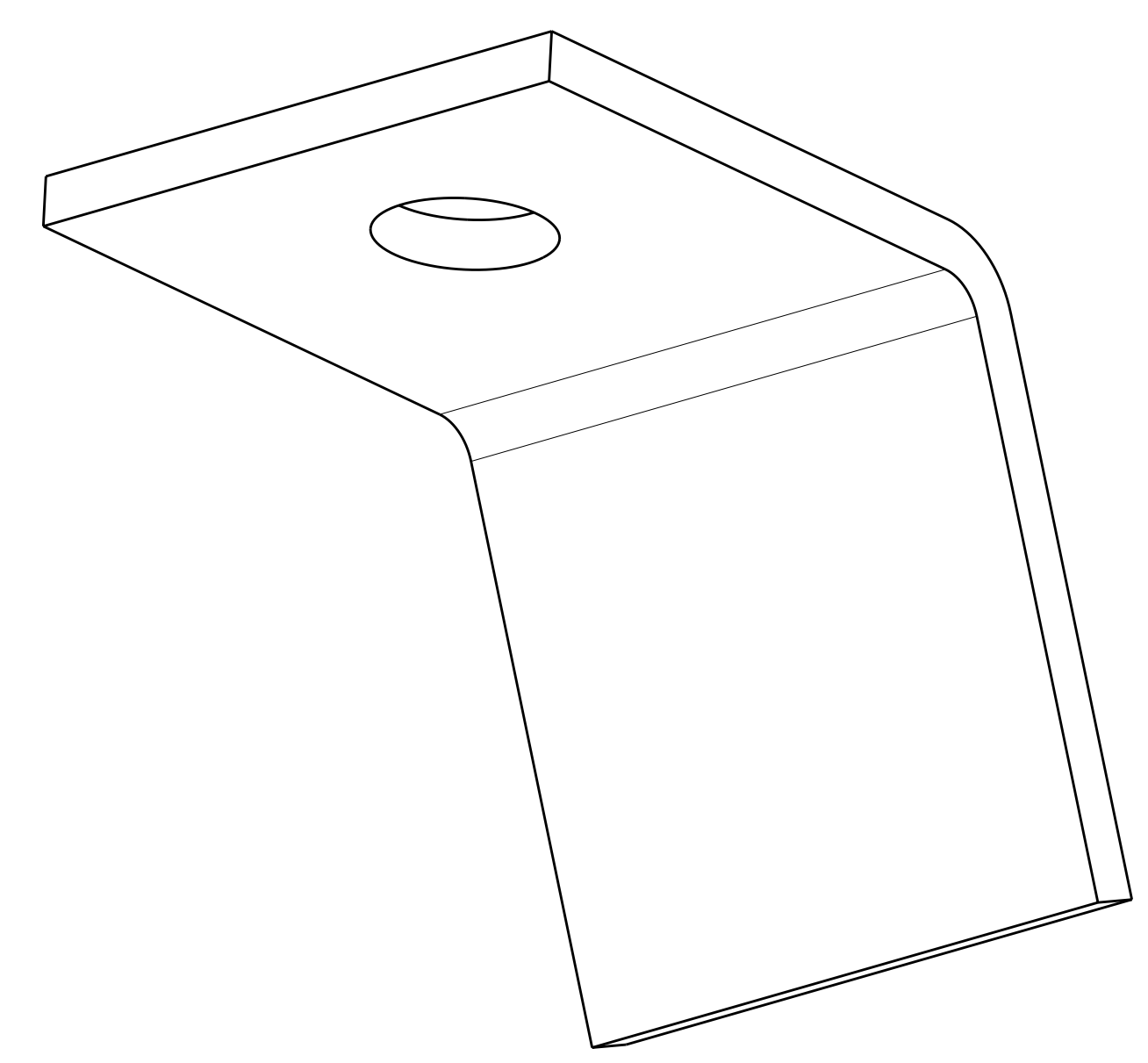
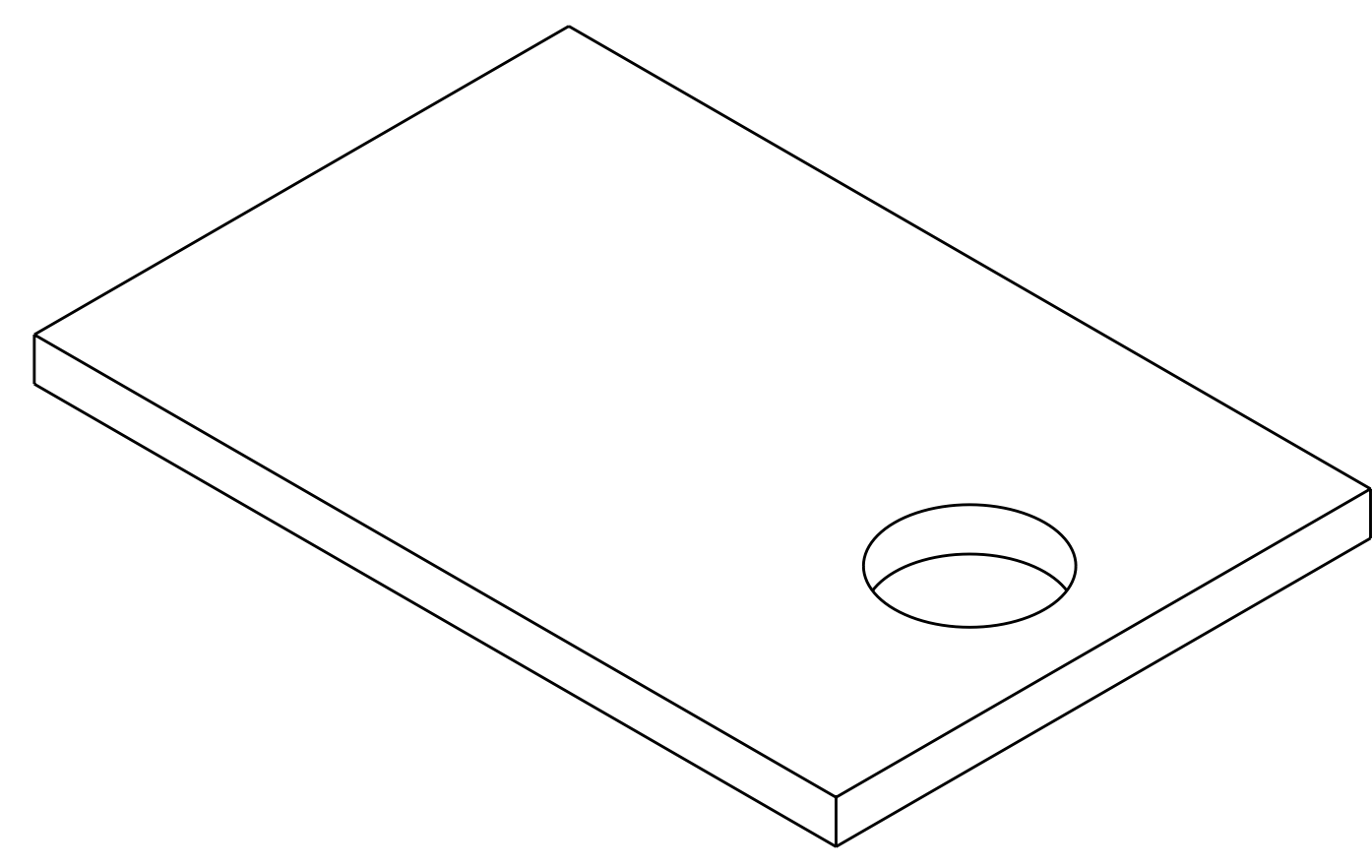


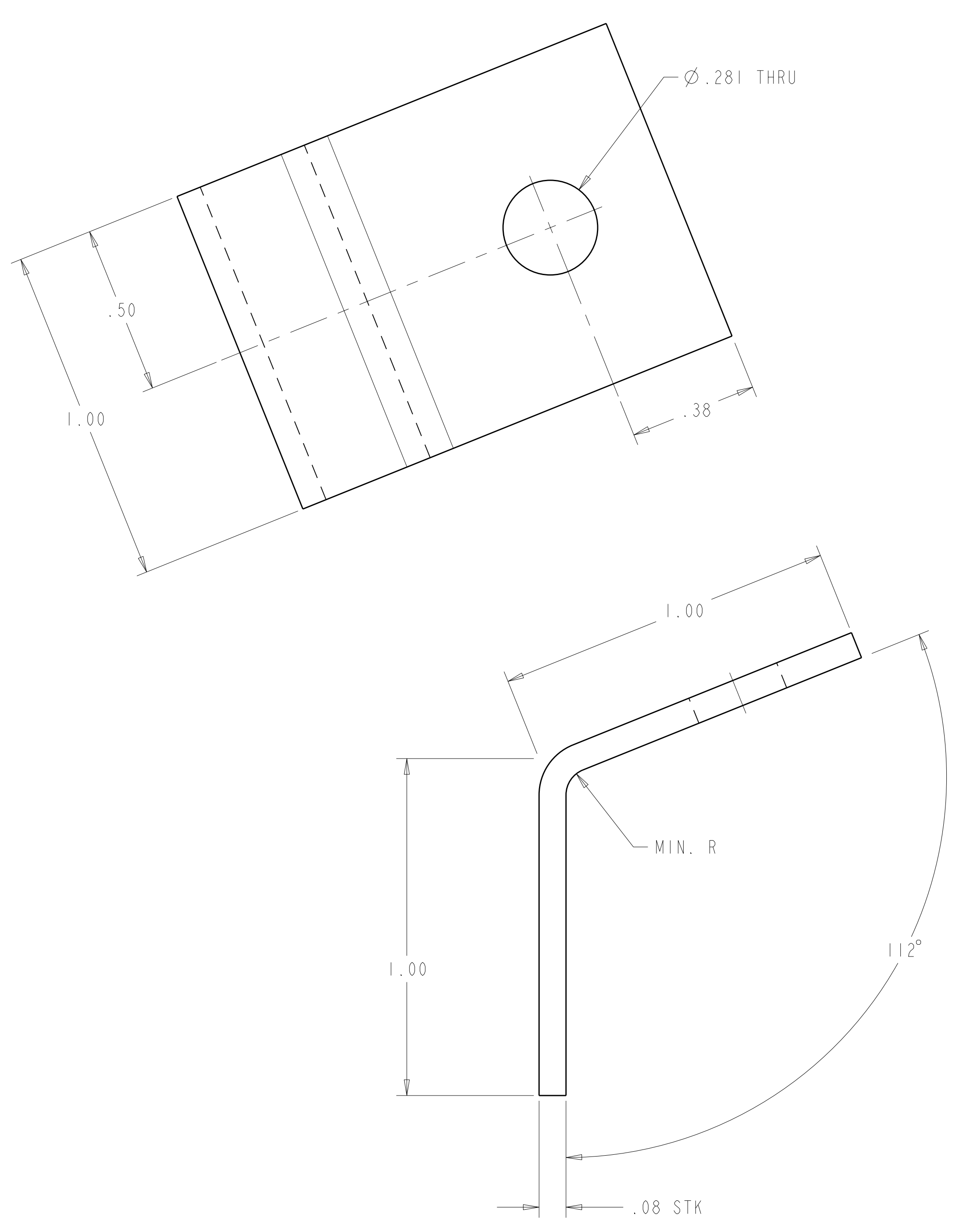
- NOTES
1. DRAWING PREPARED IN ACCORDANCE WITH ASME Y14.100-2004.
 2. INTERPRET DIMENSIONS AND TOLERANCES PER ASME Y14.5M-1994.
 3. DIMENSIONS ARE IN INCHES.
 4. MAGNETIC PERMEABILITY NOT TO EXCEED 1.02 AS TESTED BY A SEVERN INDICATOR. AVAILABLE FROM:
SEVERN ENGINEERING
AUBURN, ALABAMA 36830
WWW.SEVERNENGINEERING.COM



ISOMETRIC VIEW

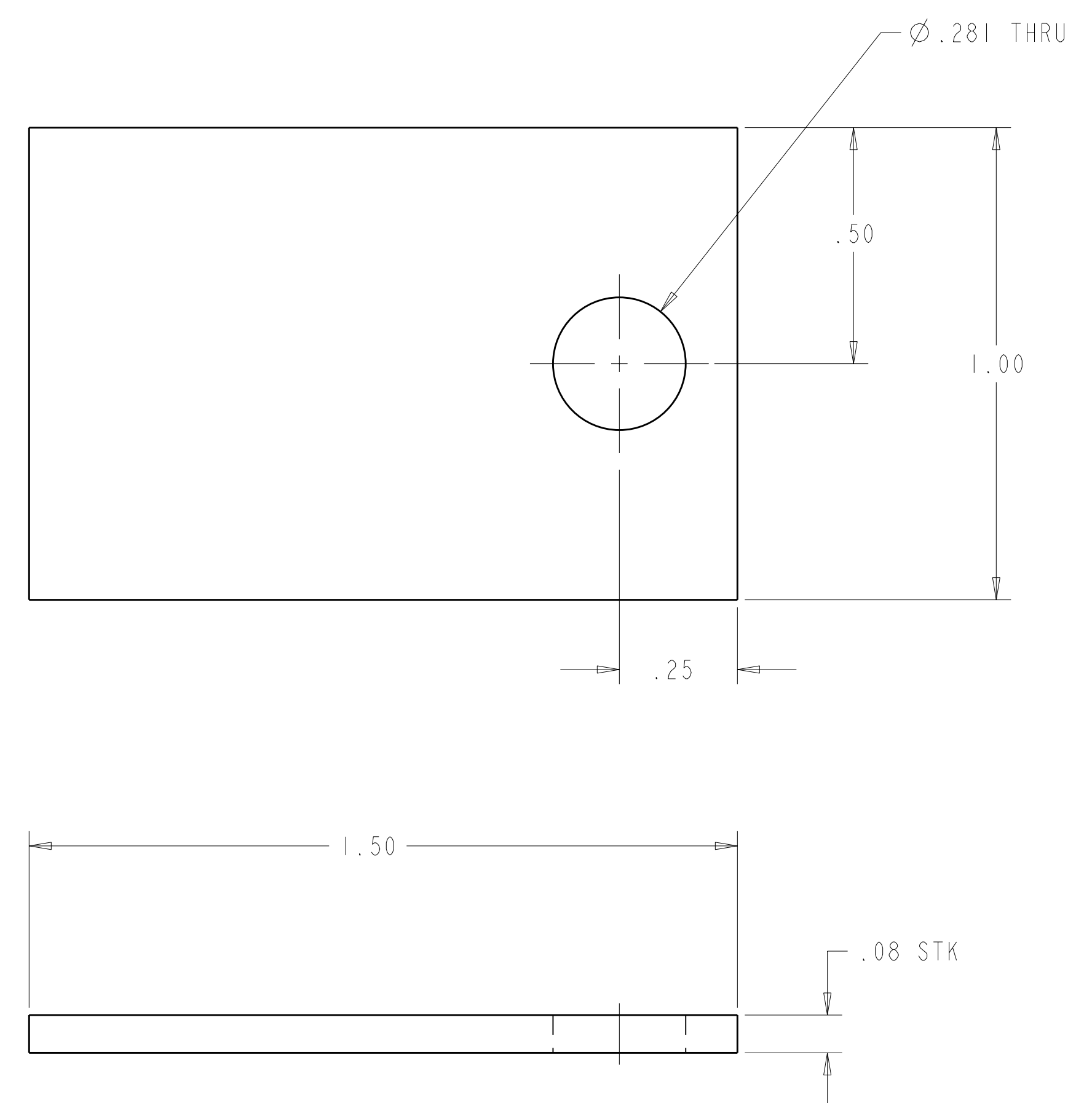


ISOMETRIC VIEW



-2 PORT CLIP
SCALE 4.00

NOTE: ALL 2 PLACE DECIMALS TOL = ±.03



-1 PORT CLIP
SCALE 4.00

**RELEASED FOR
FABRICATION / INSTALLATION**
 PPPL Drafting:

REV	DESCRIPTION	BY	DATE	CHK	DEPT	DATE	PE	REQ	DATE	ORNL	DOE	DATE	REVISION APPROVAL	CAGE CODE	PART OR IDENTIFYING NO	NOMENCLATURE OR DESCRIPTION	MATERIAL	SPECIFICATION	FIND NO	
0	ORIGINAL ISSUE	GMW	01/07	SP		01/07														

REV	DESCRIPTION	BY	DATE	CHK	DEPT	DATE	PE	REQ	DATE	ORNL	DOE	DATE	REVISION APPROVAL	CAGE CODE	PART OR IDENTIFYING NO	NOMENCLATURE OR DESCRIPTION	MATERIAL	SPECIFICATION	FIND NO	
1																				

NO REPRESENTATION OR WARRANTY, EXPRESSED OR IMPLIED, IS MADE AS TO THE ACCURACY, COMPLETENESS OR USEFULNESS OF THE INFORMATION OR STATEMENTS CONTAINED IN THESE DRAWINGS, OR THAT THE USE OR DISCLOSURE OF ANY INFORMATION, APPARATUS, METHOD OR PROCESS DISCLOSED IN THESE DRAWINGS MAY NOT INFRINGE PRIVATE RIGHTS OF OTHERS. NO LIABILITY IS ASSUMED WITH RESPECT TO THE USE OF, OR FOR DAMAGES RESULTING FROM THE USE OF, ANY INFORMATION, APPARATUS, METHOD OR PROCESS DISCLOSED IN THESE DRAWINGS. DRAWINGS MADE AVAILABLE FOR INFORMATION TO BIDDER ARE NOT TO BE USED FOR OTHER PURPOSES, AND ARE TO BE RETURNED UPON REQUEST OF THE FORWARDING CONTRACTOR.

P THIS DRAWING PRODUCED ON PRO-ENGINEER

SCALE NOTED
TOLERANCES UNLESS OTHERWISE SPECIFIED

FRACTIONS :
XX DECIMALS ±.03
XXX DECIMALS ±.005
ANGLES ±0°15'
BREAK SHARP EDGES OR MAX FINISH .125 UNLESS OTHERWISE SPECIFIED

DES P. L. GORANSON 01/07
DRW G. MCGINNIS 01/07
CHK S. PARSON 01/07

PPPL DRFT J. SIEGEL 01/07

Oak Ridge National Laboratory managed for the DEPARTMENT OF ENERGY under U.S. GOVERNMENT contract DE-AC05-00OR22725 UT-BATTELLE, LLC. Oak Ridge, Tennessee

UT-BATTELLE

NATIONAL COMPACT STELLARATOR EXPERIMENT

WINDING FORM SEAL PORT CLIP

VERSION NO. 3
PLANT ORNL
BLDG 5700
FL 3
SHT 1
OF 1
TYPE I
CLASS S
RELEASE LEVEL Fabrication
SE122-399
REV 0