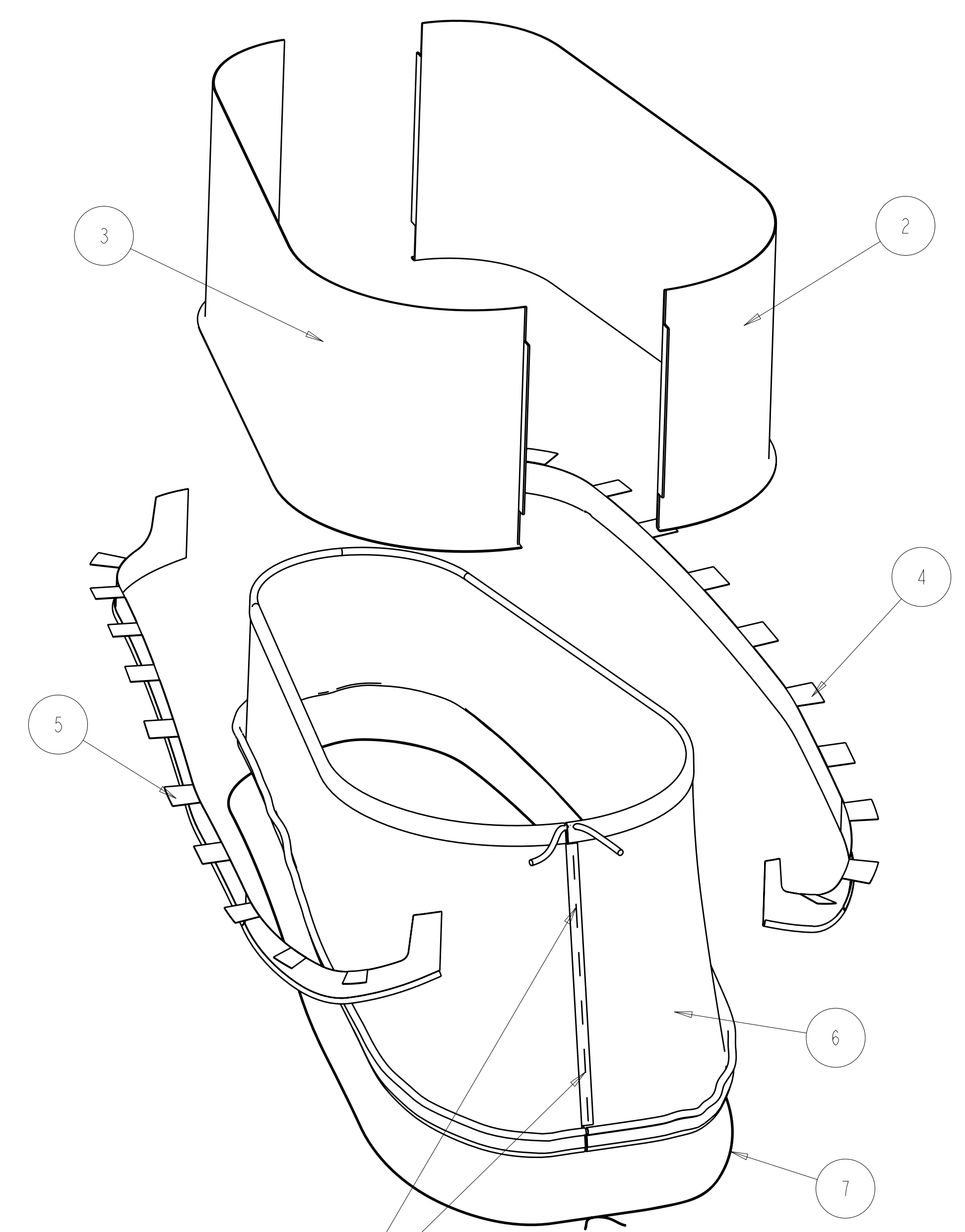
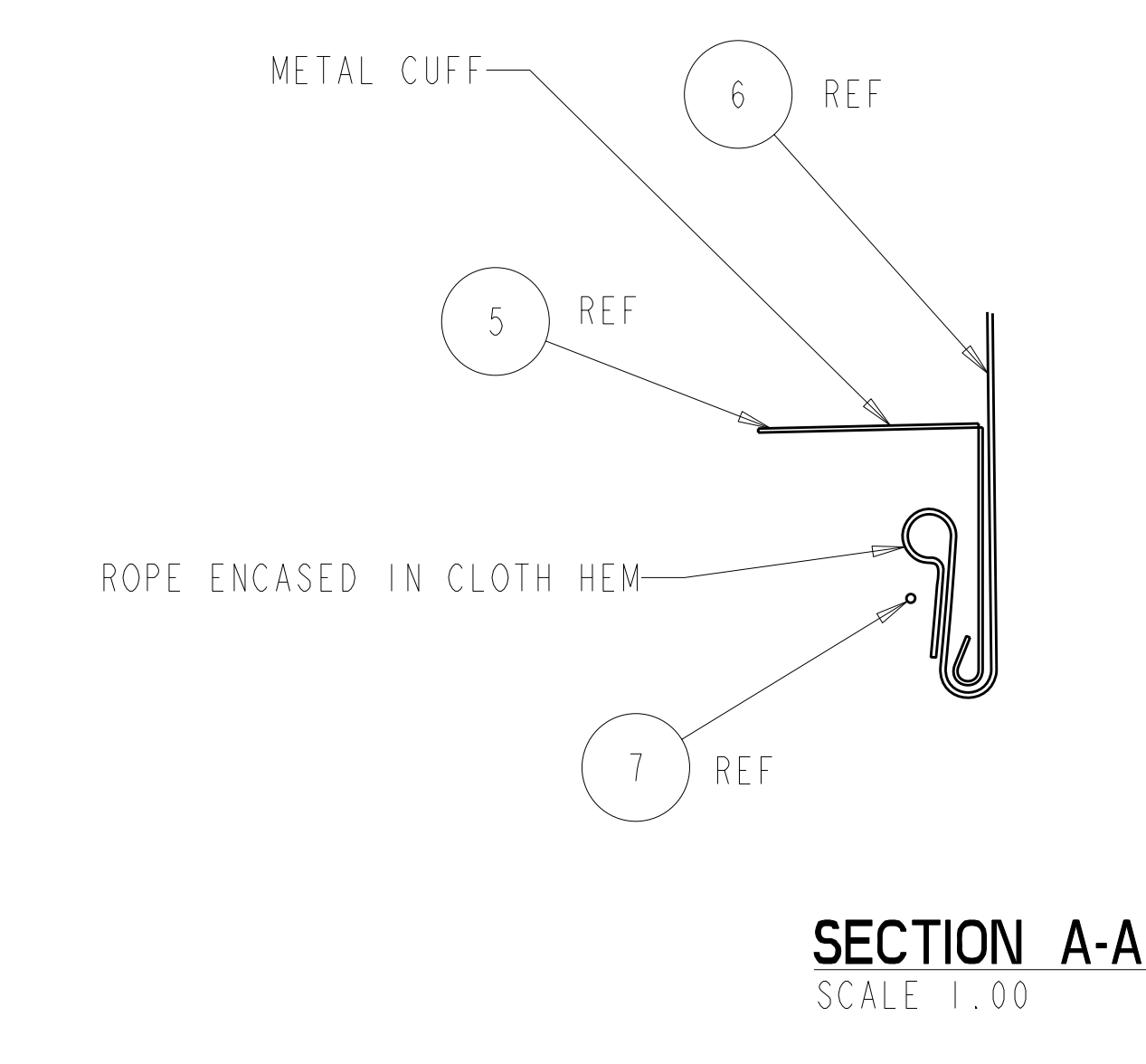
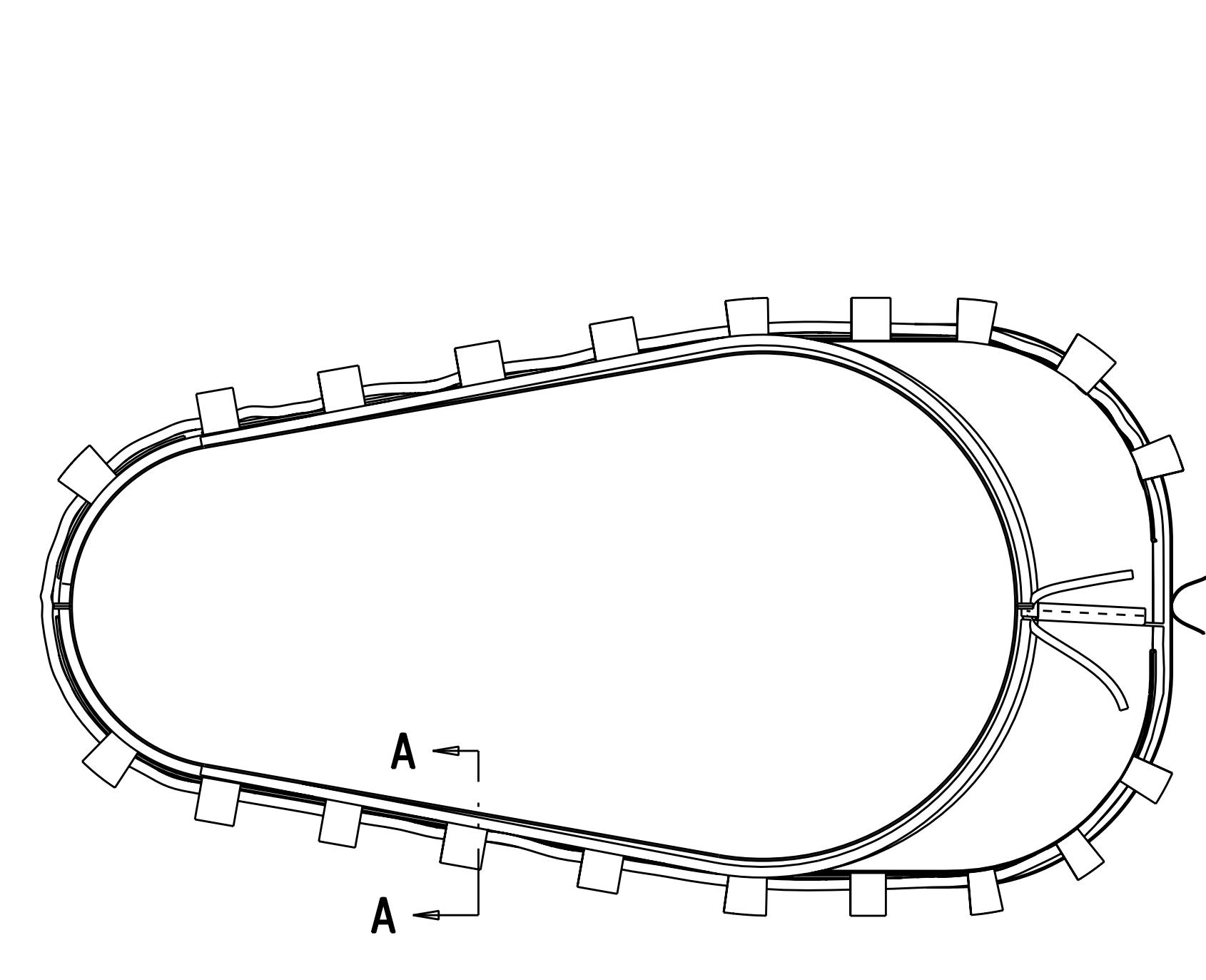
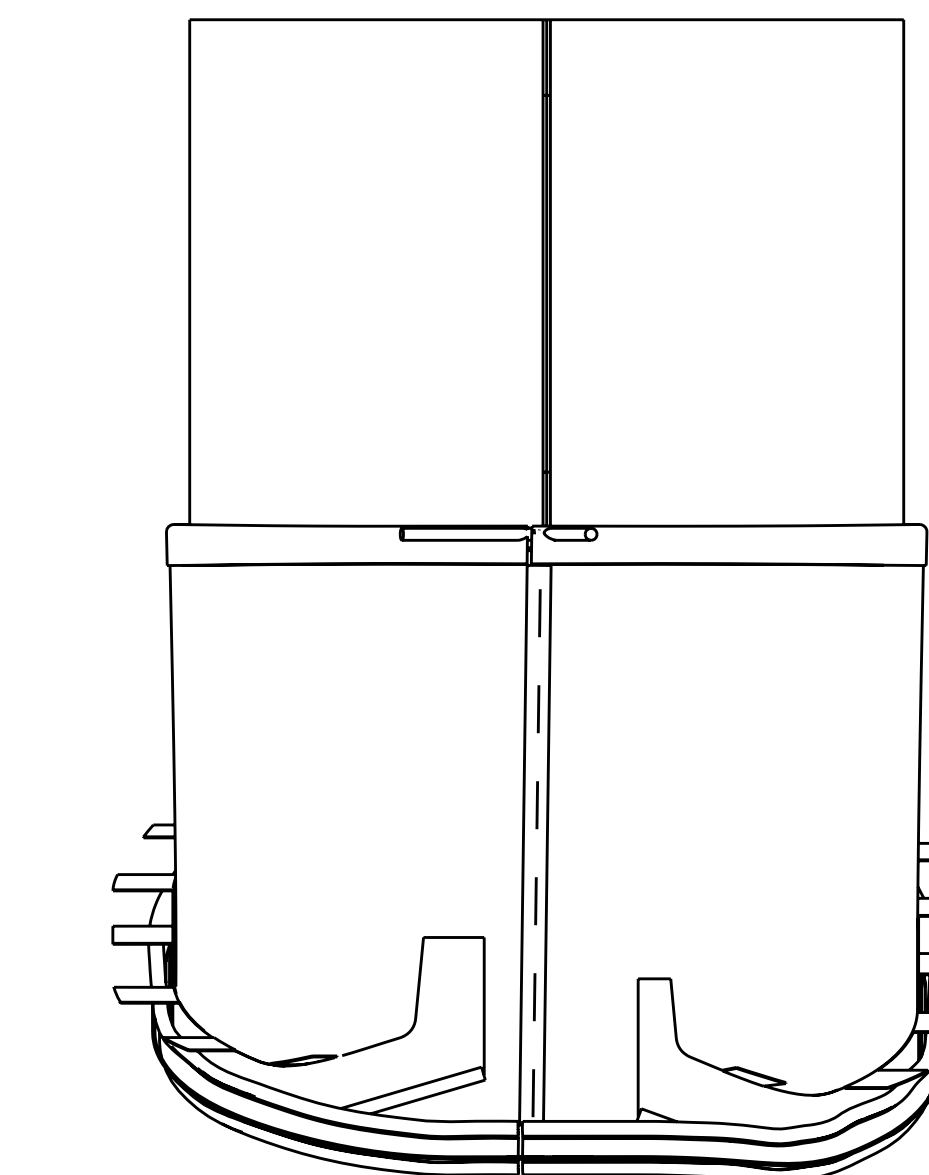
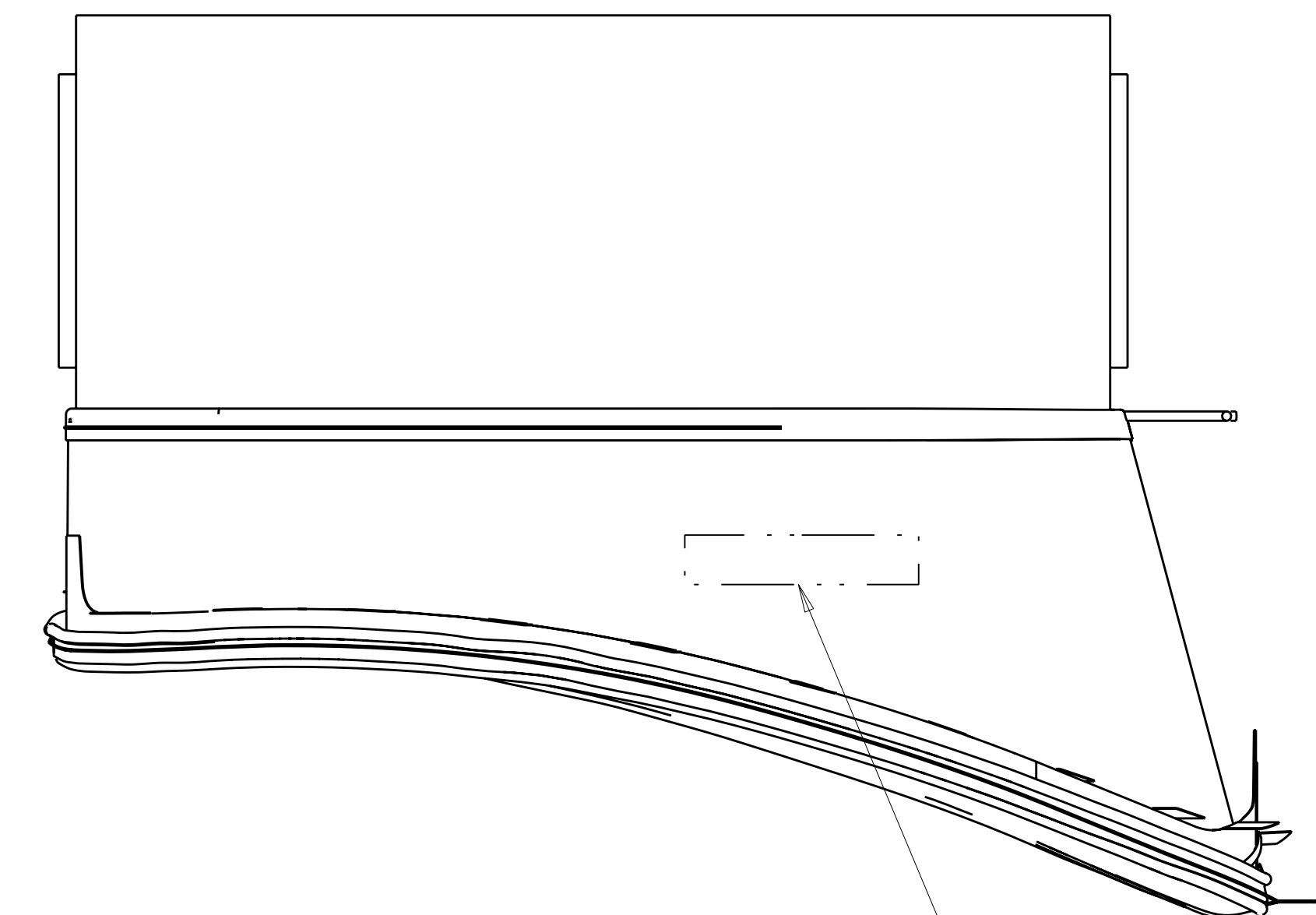
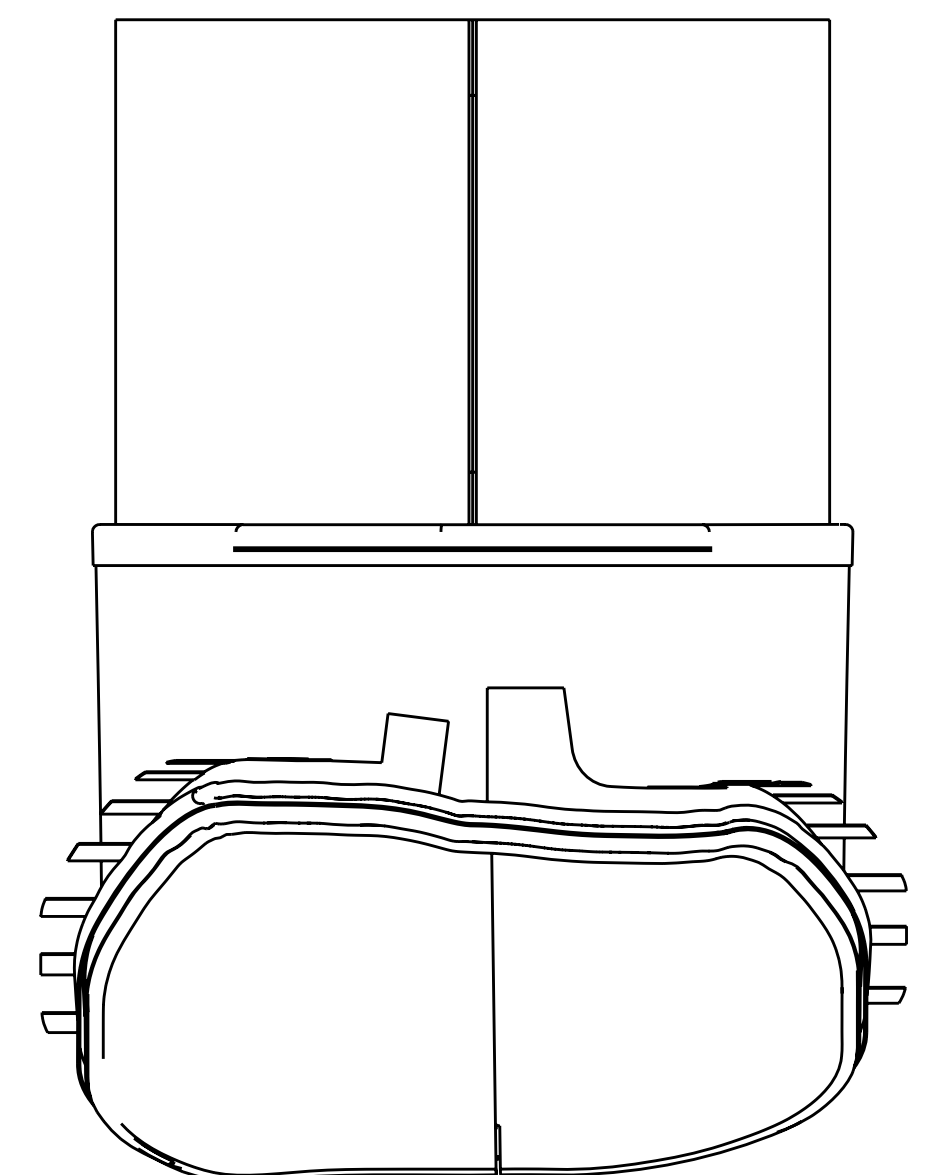


- NOTES
- DRAWING PREPARED IN ACCORDANCE WITH ASME Y14.100-2004.
 - INTERPRET DIMENSIONS AND TOLERANCES PER ASME Y14.5M-1994.
 - DIMENSIONS ARE IN INCHES.
 - METAL PARTS: MAGNETIC PERMEABILITY NOT TO EXCEED 1.02 AS TESTED BY A SEVERN INDICATOR. AVAILABLE FROM:
SEVERN ENGINEERING
AUBURN, ALABAMA 36830
WWW.SEVERNGINEERING.COM



1 8 STAPLE OR SEW BOOT AT HEM DURING FINAL INSTALLATION. SEE DRAWING SE100-002.



LABEL PART NUMBER AND REVISION USING PERMANENT INK

1 PORT 12 SEAL ASSEMBLY
SCALE .25

REV	DESCRIPTION	BY	DATE	CHK	DEPT	DATE	PE	REQ	DATE	ORNL	DOE	DATE
0	ORIGINAL ISSUE											
1	ADDED ITEM 8 AND NOTE 4, PER ECN# 5378	SD	07/08	MC		07/08						

CAGE CODE	PART OR IDENTIFYING NO	NOMENCLATURE OR DESCRIPTION	MATERIAL	SPECIFICATION	FIND NO
AR	60135A61	3/8 STAPLE	STAINLESS	MCMaster CARR ATLANTA, GA 30374 404-346-7000 WWW.MCMaster.COM	8
AR	9270K16	.05 Ø WIRE	316L SST ANNEALED		7
I	SE122-405	PORT 12 BOOT ASSEMBLY			6
I	SE122-404	PORT 12 SEAL CUFF RH			5
I	SE122-403	PORT 12 SEAL CUFF LH			4
I	SE122-402-2	PORT 12 SEAL SHIELD LH			3
I	SE122-402-1	PORT 12 SEAL SHIELD RH			2
AR	-1	PORT 12 SEAL ASSEMBLY			1

RELEASED FOR FABRICATION / INSTALLATION
PPPL Drafting

NO REPRESENTATION OR WARRANTY, EXPRESSED OR IMPLIED, IS MADE AS TO THE ACCURACY, COMPLETENESS OR USEFULNESS OF THE INFORMATION OR STATEMENTS CONTAINED IN THESE DRAWINGS, OR THAT THE USE OR DISCLOSURE OF ANY INFORMATION, APPARATUS, METHOD OR PROCESS DISCLOSED IN THESE DRAWINGS MAY NOT INFRINGE PRIVATE RIGHTS OF OTHERS. NO LIABILITY IS ASSUMED WITH RESPECT TO THE USE OF, OR FOR DAMAGES RESULTING FROM THE USE OF, ANY INFORMATION, APPARATUS, METHOD OR PROCESS DISCLOSED IN THESE DRAWINGS. DRAWINGS MADE AVAILABLE FOR INFORMATION TO BIDDER ARE NOT TO BE USED FOR OTHER PURPOSES, AND ARE TO BE RETURNED UPON REQUEST OF THE FORWARDING CONTRACTOR.

P THIS DRAWING PRODUCED ON PRO-ENGINEER

SCALE NOTED	DES P GORANSON 01/07	U.S. GOVERNMENT CONTRACT DE-AC05-00OR22725			
TOLERANCES UNLESS OTHERWISE SPECIFIED	DRW G MCGINNIS 01/07	UT-BATTELLE			
FRACTIONS	CHK S PARSON 01/07	PROJECT NAME			
XX DECIMALS ±.01	SECT :	NATIONAL COMPACT STELLARATOR EXPERIMENT			
XXX DECIMALS ±.005	DEPT :	PORT 12 WINDING FORM SEAL ASSEMBLY			
ANGLES ±0°15'	PE :	VERSION NO. 2			
BREAK SHARP EDGES OR MAX	CR :	PLANT ORNL	BLDG 5700	FL 3	SHT 1 OF 1
FINISH ±.025 UNLESS OTHERWISE SPECIFIED	PJ :	RELEASE LEVEL	SE122-401		TYPE A
	RD :	Fabrication	REV I		
	REV :	DRAWING APPROVALS			