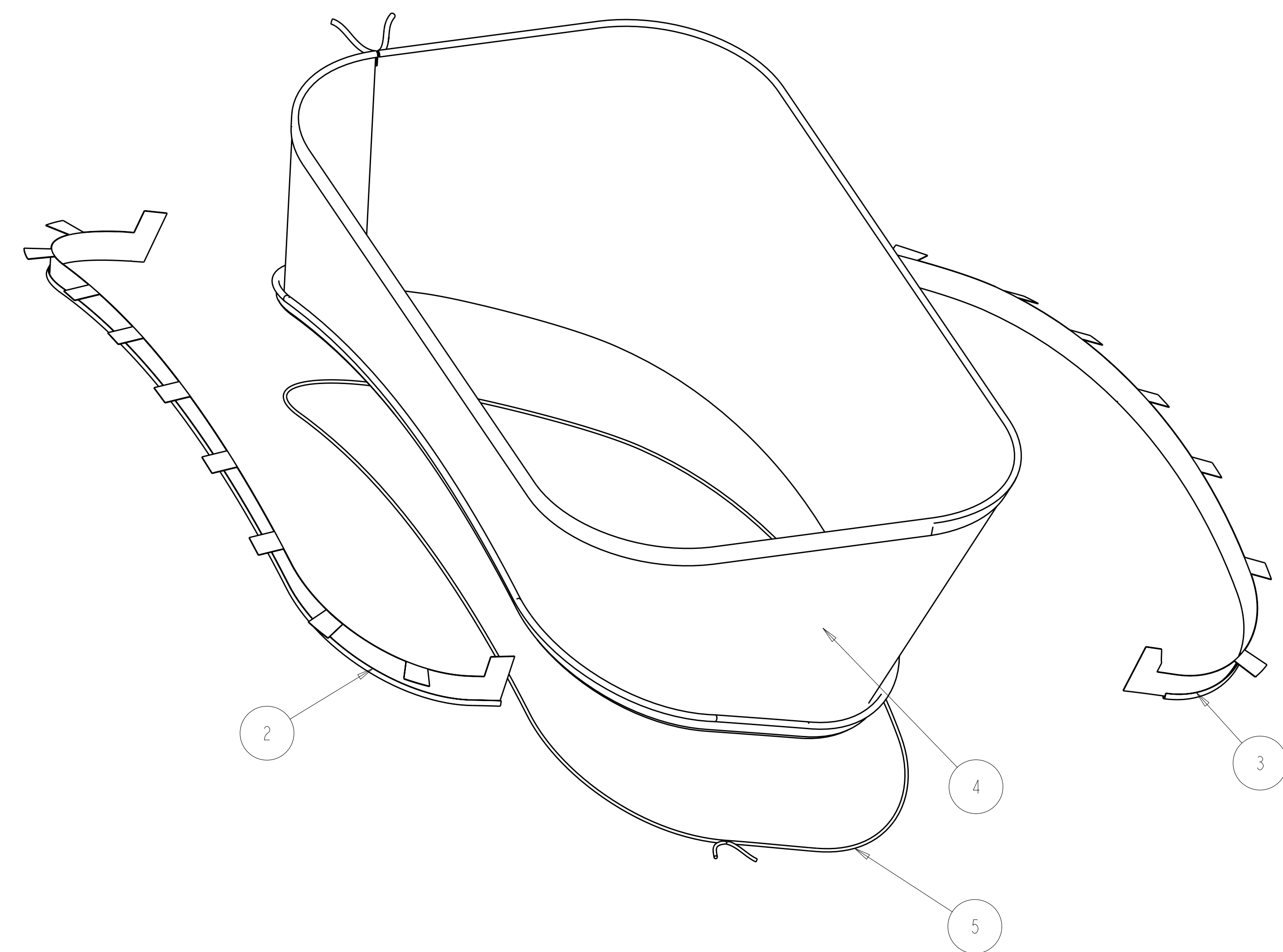
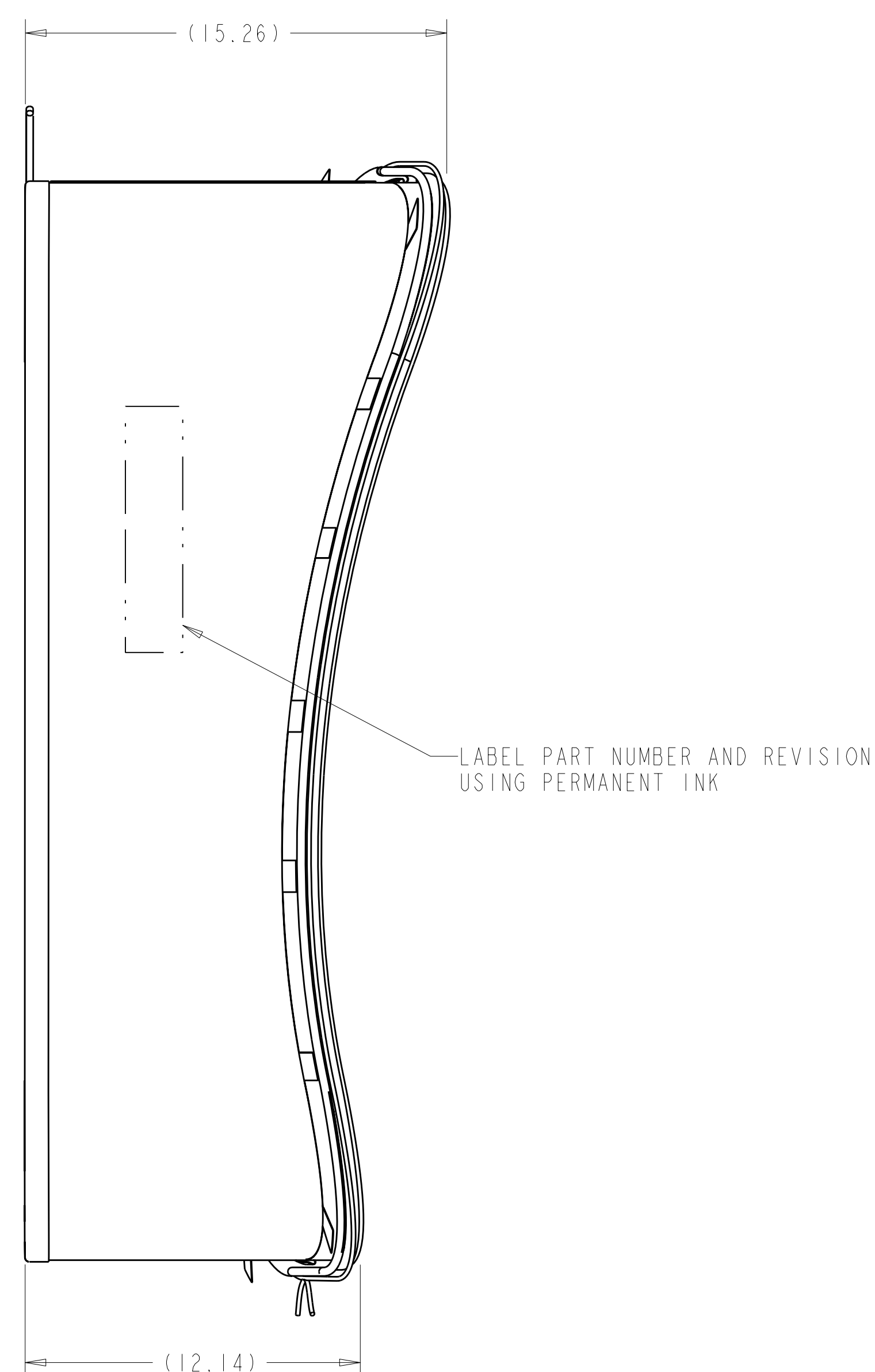
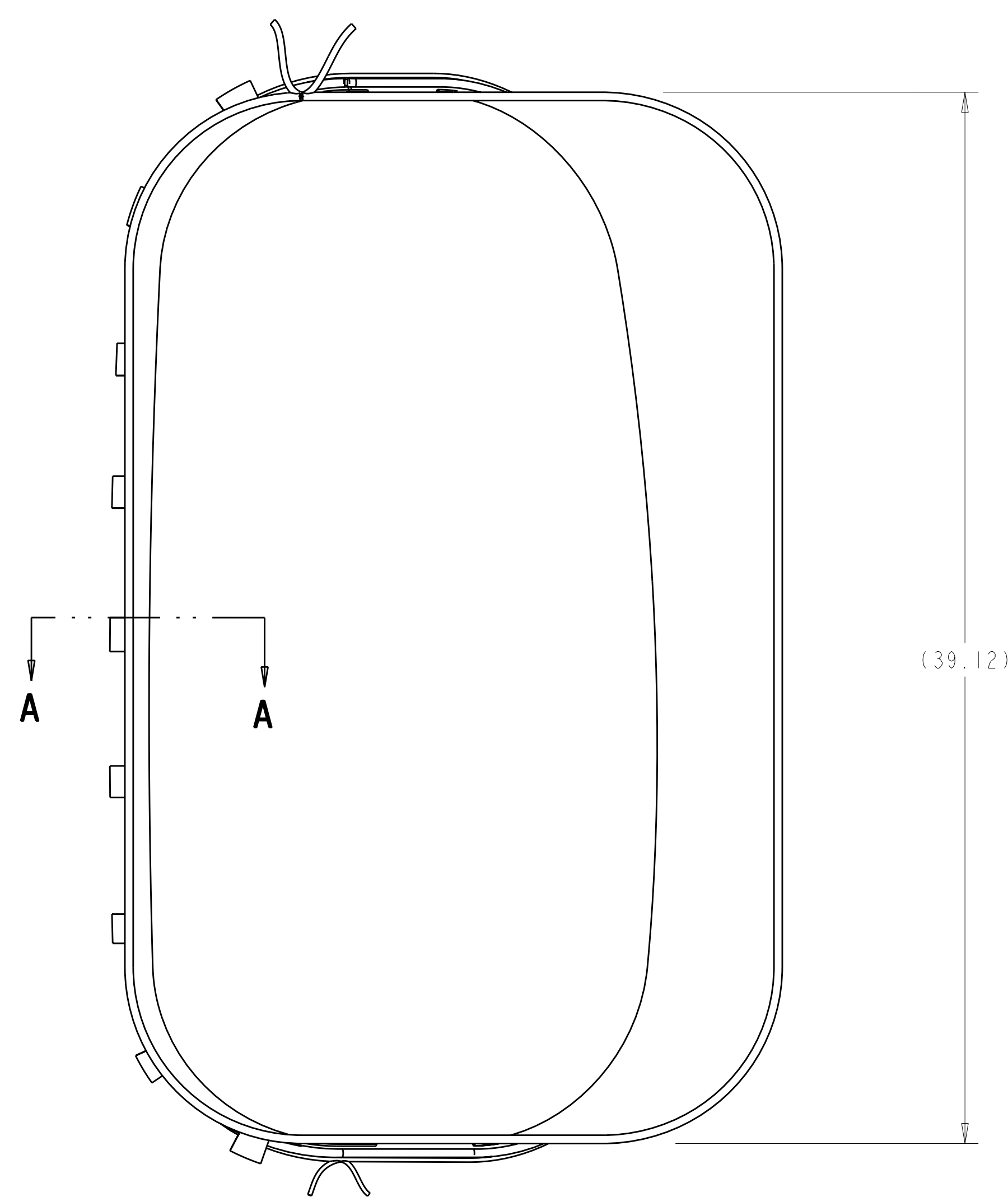


- NOTES
1. DRAWING PREPARED IN ACCORDANCE WITH ASME Y14.100-2004.
 2. INTERPRET DIMENSIONS AND TOLERANCES PER ASME Y14.5M-1994.
 3. DIMENSIONS ARE IN INCHES



EXPLODED ISOMETRIC VIEW

**RELEASED FOR
FABRICATION / INSTALLATION**
PPPL Drafting:

-1 PORT 4 SEAL ASSEMBLY
SCALE .25

AR	CAGE CODE	PART OR IDENTIFYING NO	NOMENCLATURE OR DESCRIPTION	MATERIAL	SPECIFICATION	FIND NO
	92705K16		.05Ø WIRE	316L ANNEALED	MCMASTER CARR ATLANTA, GA 30374 404-346-1000 WWW.MCMASTER.COM	5
1	SE122-409-1		PORT 4 SEAL BOOT ASSEMBLY			4
1	SE122-408-1		PORT 4 SEAL CUFF RIGHT SIDE			3
1	SE122-407-1		PORT 4 SEAL CUFF LEFT SIDE			2
AR	-1		PORT 4 SEAL ASSEMBLY			1

PARTS LIST

NO REPRESENTATION OR WARRANTY, EXPRESSED OR IMPLIED, IS MADE AS TO THE ACCURACY, COMPLETENESS OR USEFULNESS OF THE INFORMATION OR STATEMENTS CONTAINED IN THESE DRAWINGS, OR THAT THE USE OR DISCLOSURE OF ANY INFORMATION, APPARATUS, METHOD OR PROCESS DISCLOSED IN THESE DRAWINGS MAY NOT INFRINGE PRIVATE RIGHTS OF OTHERS. NO LIABILITY IS ASSUMED WITH RESPECT TO THE USE OF, OR FOR DAMAGES RESULTING FROM THE USE OF, ANY INFORMATION, APPARATUS, METHOD OR PROCESS DISCLOSED IN THESE DRAWINGS. DRAWINGS MADE AVAILABLE FOR INFORMATION TO BIDDER ARE NOT TO BE USED FOR OTHER PURPOSES, AND ARE TO BE RETURNED UPON REQUEST OF THE FORWARDING CONTRACTOR.

P THIS DRAWING PRODUCED ON PRO-ENGINEER

SCALE NOTED		DES PL GORANSON 01/07	Oak Ridge National Laboratory managed for the DEPARTMENT OF ENERGY under U.S. GOVERNMENT contract DE-AC05-00OR22725 UT-BATTELLE, LLC. Oak Ridge, Tennessee	
TOLERANCES UNLESS OTHERWISE SPECIFIED		DRW G MCGINNIS 01/07	UT-BATTELLE	
FRACTIONS		CHK S PARSON 01/07	PROJECT NAME	
XX DECIMALS ±.01		SECT :	NATIONAL COMPACT STELLARATOR EXPERIMENT	
XXX DECIMALS ±.005		DEPT :	PORT 4 SEAL ASSEMBLY	
ANGLES ±0°15'		PE :	VERSION NO. 7	
BREAK SHARP EDGES OR MAX		CR :	PLANT ORNL	
FINISH .125 UNLESS OTHERWISE SPECIFIED		PJ :	BLDG 5700	
		RD :	FL 3	
		PPPL DRFT J SIEGEL 01/07	SHT OF 1	
			TYPE I	
			CLASS U	
			REV 0	
			RELEASE LEVEL Fabrication	
			SE122-406	

REV	DESCRIPTION	BY	DATE	CHK	DEPT	DATE	PE	REQ	DATE	ORNL	DOE	DATE
0	ORIGINAL ISSUE	GWM	01/07	SP		01/07						

SE122-406