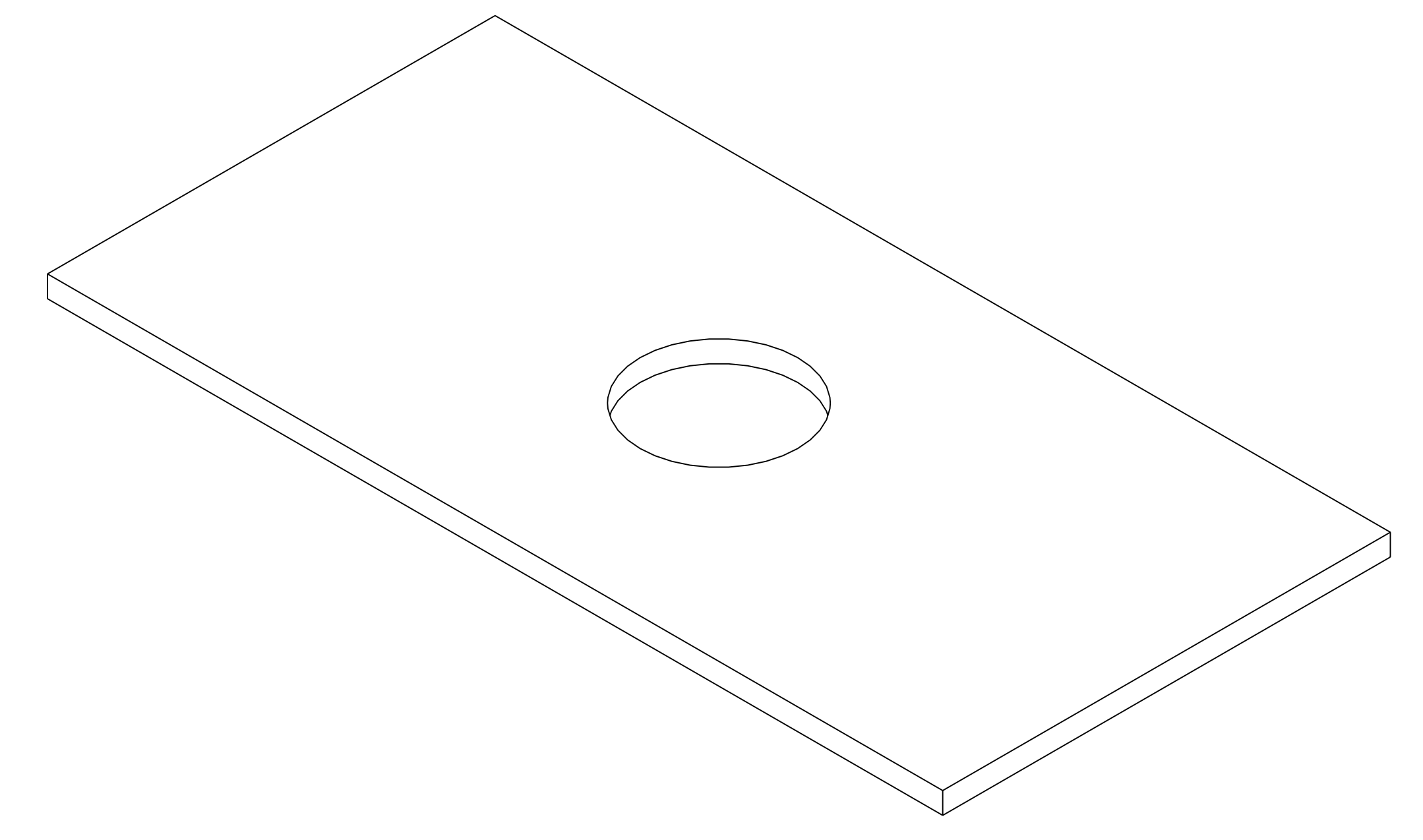
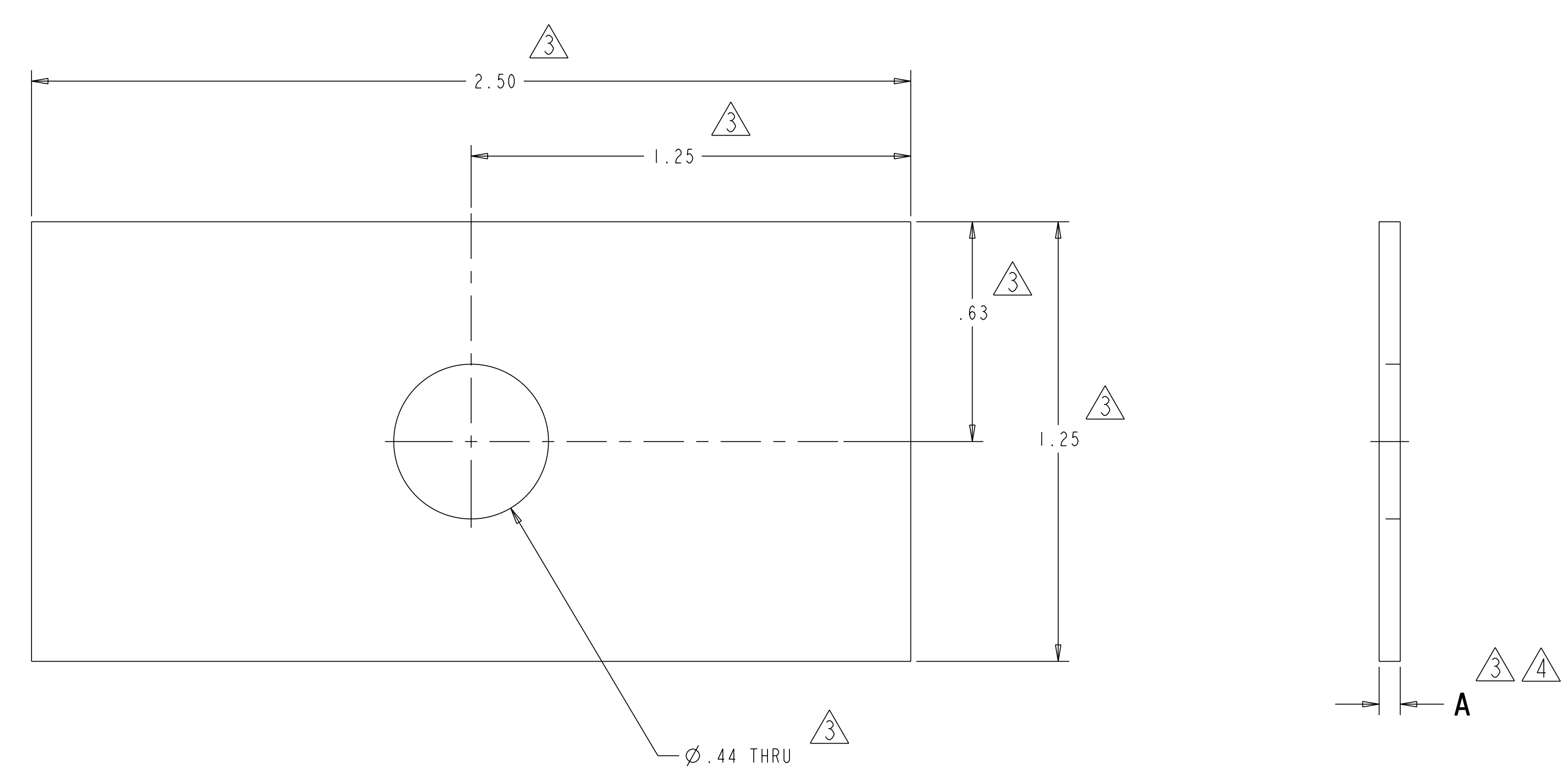


NOTES
 1. INTERPRET DIMENSIONS AND TOLERANCES PER ANSI Y14.5M.
 2. DIMENSIONS ARE IN INCHES.



ISOMETRIC VIEW



-1 GRAFFOIL GASKET
 SCALE 4.00

-2	.125
-1	.06
PART NO	DIM A

REV	DESCRIPTION	BY	DATE	CHK	DEPT	DATE	PE	REQ	DATE	ORNL	DOE	DATE
4	PER ECN NO. 5225, ADDED -2, DIM CHART	GM	03/07									
3	PER ECN NO. 5130	GWM	01/17/04	PLG		05/06						
2	PER ECN NO. 5038	MTB	11/17/04	MJC		12/05						
1	PER ECN NO. 5003	MJC	07/21/05	PLG								

REV	DESCRIPTION	BY	DATE	CHK	DEPT	DATE	PE	REQ	DATE	ORNL	DOE	DATE
4	AR											
3	AR											

CAGE CODE	PART OR IDENTIFYING NO	NOMENCLATURE OR DESCRIPTION	MATERIAL	SPECIFICATION	FIND NO
SE 121-008	-2	GRAFFOIL GASKET	TYPE GTB OR GHL 40 # / CU FT	UCAR CARBON COMPANY, INC COLUMBIA, TN 38402	I
	-1		TYPE GTA 70 # / CU FT	931-380-4360 WWW.UCAR.COM	

← NEXT ASSEMBLY

PARTS LIST

RELEASED FOR FABRICATION / INSTALLATION
 PPPL Drafting

NO REPRESENTATION OR WARRANTY, EXPRESSED OR IMPLIED, IS MADE AS TO THE ACCURACY, COMPLETENESS OR USEFULNESS OF THE INFORMATION OR STATEMENTS CONTAINED IN THESE DRAWINGS, OR THAT THE USE OR DISCLOSURE OF ANY INFORMATION, APPARATUS, METHOD OR PROCESS DISCLOSED IN THESE DRAWINGS MAY NOT INFRINGE PRIVATE RIGHTS OF OTHERS. NO LIABILITY IS ASSUMED WITH RESPECT TO THE USE OF, OR FOR DAMAGES RESULTING FROM THE USE OF, ANY INFORMATION, APPARATUS, METHOD OR PROCESS DISCLOSED IN THESE DRAWINGS. DRAWINGS MADE AVAILABLE FOR INFORMATION TO BIDDER ARE NOT TO BE USED FOR OTHER PURPOSES, AND ARE TO BE RETURNED UPON REQUEST OF THE FORWARDING CONTRACTOR.

P THIS DRAWING PRODUCED ON PRO-ENGINEER

REV	DESCRIPTION	BY	DATE	CHK	DEPT	DATE	PE	REQ	DATE	ORNL	DOE	DATE
4	PER ECN NO. 5225, ADDED -2, DIM CHART	GM	03/07									
3	PER ECN NO. 5130	GWM	01/17/04	PLG		05/06						
2	PER ECN NO. 5038	MTB	11/17/04	MJC		12/05						
1	PER ECN NO. 5003	MJC	07/21/05	PLG								

SCALE	NOTED	DES	DATE
	TOLERANCES UNLESS OTHERWISE SPECIFIED	P GORANSON	4-22-05
	FRACTIONS	G MCGINNIS	4-22-05
	XX DECIMALS ±.01	G. H. JONES	05-04-05
	XXX DECIMALS ±.005		
	ANGLES ±0°15'		
	BREAK SHARP EDGES OR MAX FINISH .125 UNLESS OTHERWISE SPECIFIED		

DES	DATE	PLANT	BLDG	FL	SHT	OF	TYPE	CLASS
P GORANSON	4-22-05	ORNL	5700	3	1	1	S	U

Oak Ridge National Laboratory managed for the DEPARTMENT OF ENERGY under U.S. GOVERNMENT contract DE-AC05-00OR22725 UT-BATTELLE, LLC, Oak Ridge, Tennessee

PROJECT NAME: NATIONAL COMPACT STELLARATOR EXPERIMENT

VACUUM VESSEL HEATING/COOLING GRAFFOIL GASKET DETAIL

PPPL DRFT J. SIEGEL 05/06

VERSION NO. :
 PLANT ORNL BLDG 5700 FL 3 SHT 1 OF 1 TYPE S CLASS U

RELEASE LEVEL :
 Fabrication

SE123-052

REV 4