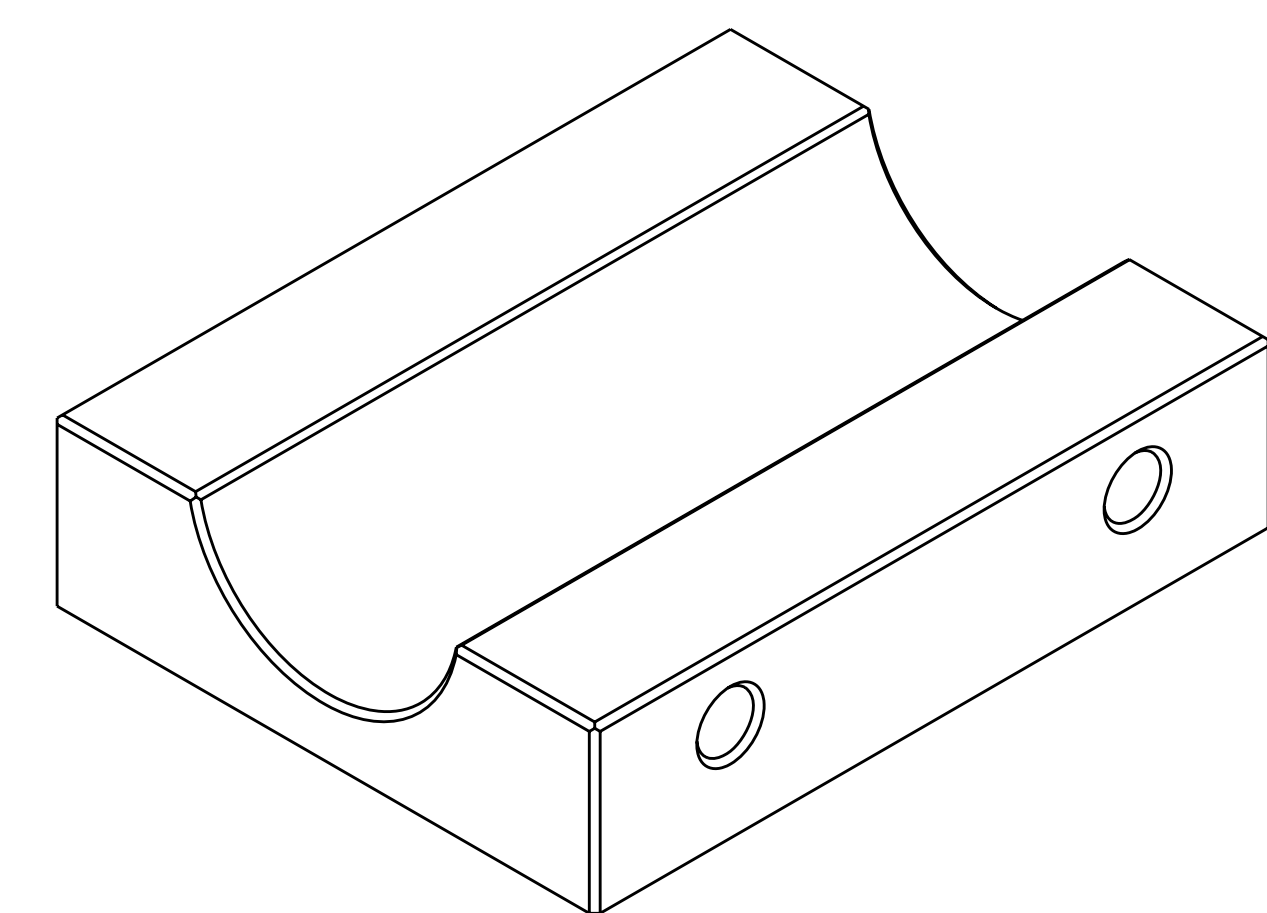
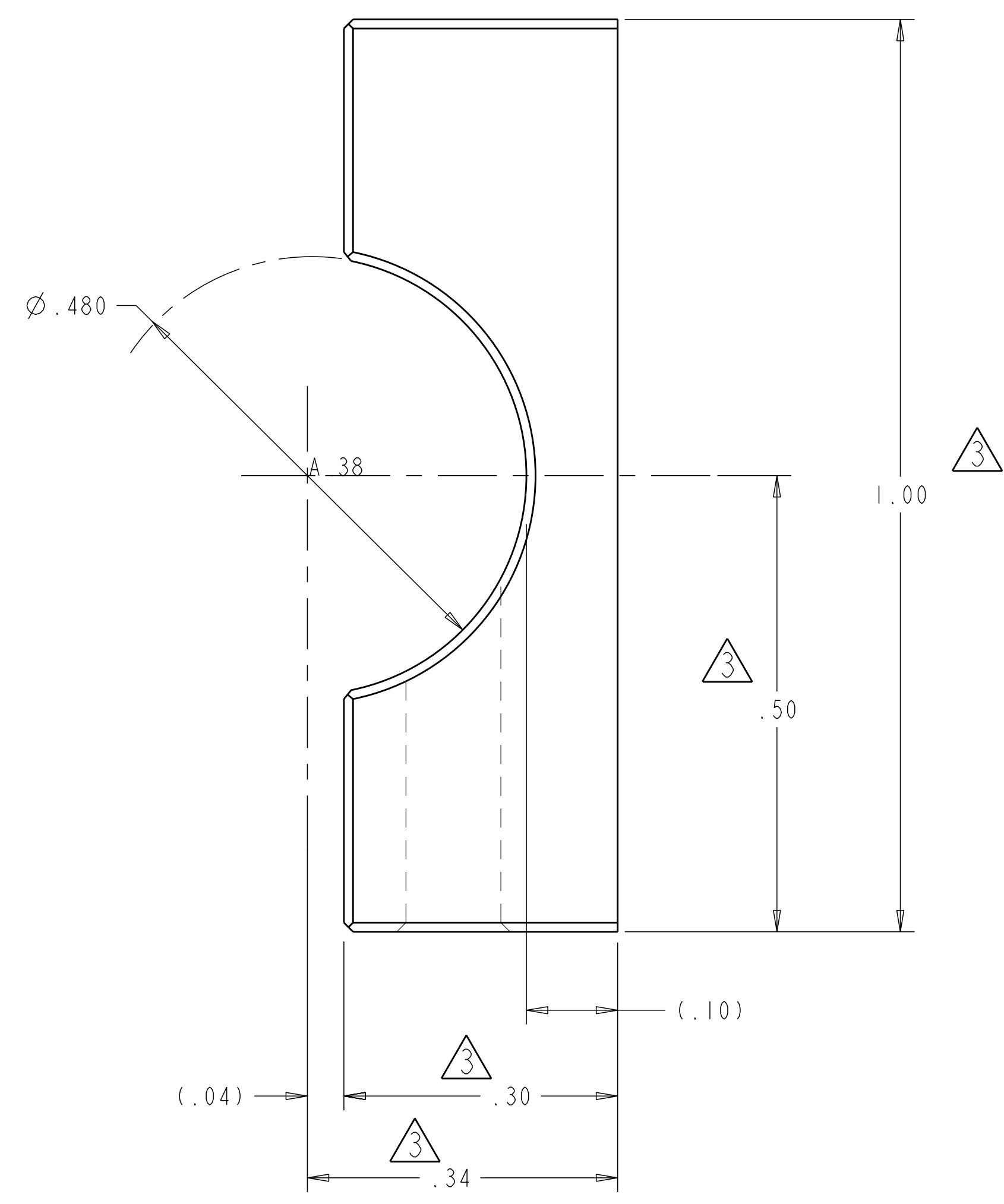
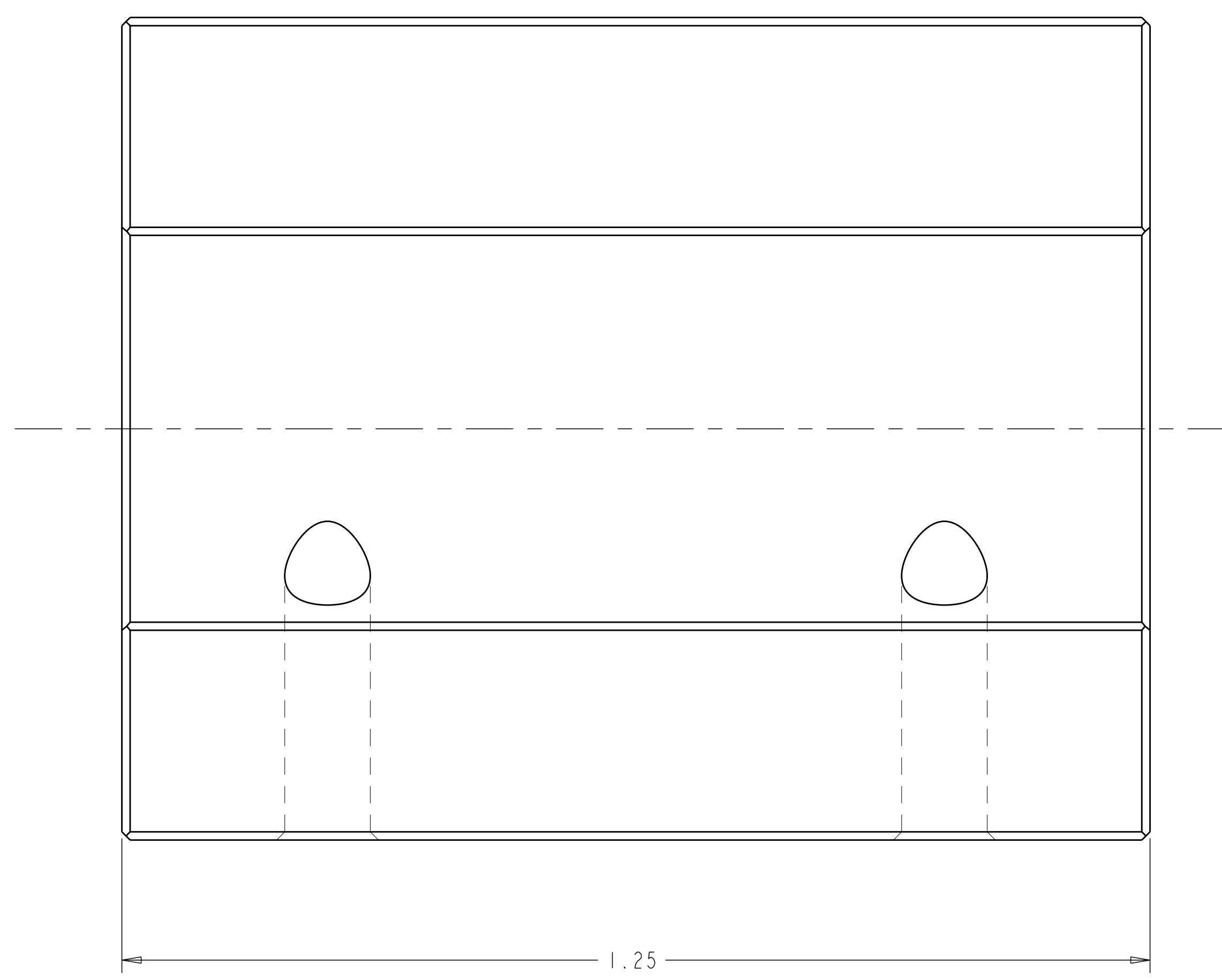
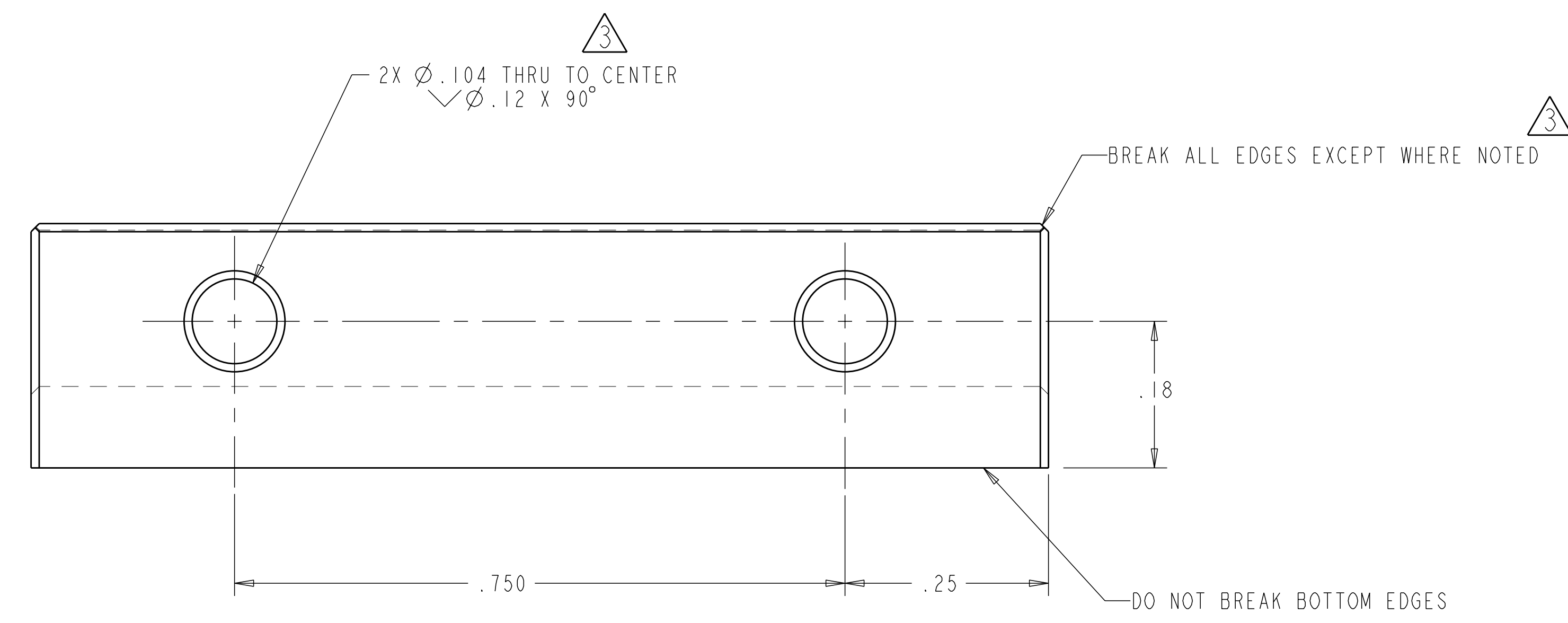


NOTES  
 1. INTERPRET DIMENSIONS AND TOLERANCES PER ANSI Y14.5M.  
 2. DIMENSIONS ARE IN INCHES.



ISOMETRIC VIEW  
 SCALE 4.000



-1 CONDUCTOR  
 SCALE 8.00

**RELEASED FOR  
 FABRICATION / INSTALLATION**  
 PPPL Drafting:

REV	DESCRIPTION	BY	DATE	CHK	DEPT	DATE	PE	REQ	DATE	ORNL	DOE	DATE
3	PER ECN NO. 5130	MJC	02/06	PLG		05/06						
2	PER ECN NO. 5038	MTB	02/05	MJC		12/05						
1	PER ECN NO. 5003	MJC	07/21/05	PLG								

AR	AR	CAGE CODE	PART OR IDENTIFYING NO	NOMENCLATURE OR DESCRIPTION	MATERIAL	SPECIFICATION	FIND NO
AR	AR		-1	CONDUCTOR	ANNEALED CHROMIUM COPPER ALLOY C18200	BRUSH ENGINEERED BRONZE LORAIN, OH 44053 440-960-5660 WWW.BRUSHWELLMAN.COM	I

NO REPRESENTATION OR WARRANTY, EXPRESSED OR IMPLIED, IS MADE AS TO THE ACCURACY, COMPLETENESS OR USEFULNESS OF THE INFORMATION OR STATEMENTS CONTAINED IN THESE DRAWINGS, OR THAT THE USE OR DISCLOSURE OF ANY INFORMATION, APPARATUS, METHOD OR PROCESS DISCLOSED IN THESE DRAWINGS MAY NOT INFRINGE PRIVATE RIGHTS OF OTHERS. NO LIABILITY IS ASSUMED WITH RESPECT TO THE USE OF, OR FOR DAMAGES RESULTING FROM THE USE OF, ANY INFORMATION, APPARATUS, METHOD OR PROCESS DISCLOSED IN THESE DRAWINGS. DRAWINGS MADE AVAILABLE FOR INFORMATION TO BIDDER ARE NOT TO BE USED FOR OTHER PURPOSES, AND ARE TO BE RETURNED UPON REQUEST OF THE FORWARDING CONTRACTOR.

**P** THIS DRAWING PRODUCED ON PRO-ENGINEER

REV	DESCRIPTION	BY	DATE	CHK	DEPT	DATE	PE	REQ	DATE	ORNL	DOE	DATE
3	PER ECN NO. 5130	MJC	02/06	PLG		05/06						
2	PER ECN NO. 5038	MTB	02/05	MJC		12/05						
1	PER ECN NO. 5003	MJC	07/21/05	PLG								

SCALE	NOTED	DES	DATE	DRW	DATE	CHK	DATE	REVISION	DATE	ORNL	DOE	DATE
SCALE	NOTED	P. GORANSON	4-22-05	G. MCGINNIS	4-22-05	G. H. JONES	05-04-05					

VERSION NO.	PLANT	BLDG	FL	SHT	OF	TYPE	CLASS
0	ORNL	5700	3	1	1	S	U

RELEASE LEVEL	SEI23-053	REV
Fabrication	SEI23-053	3

SEI23-053