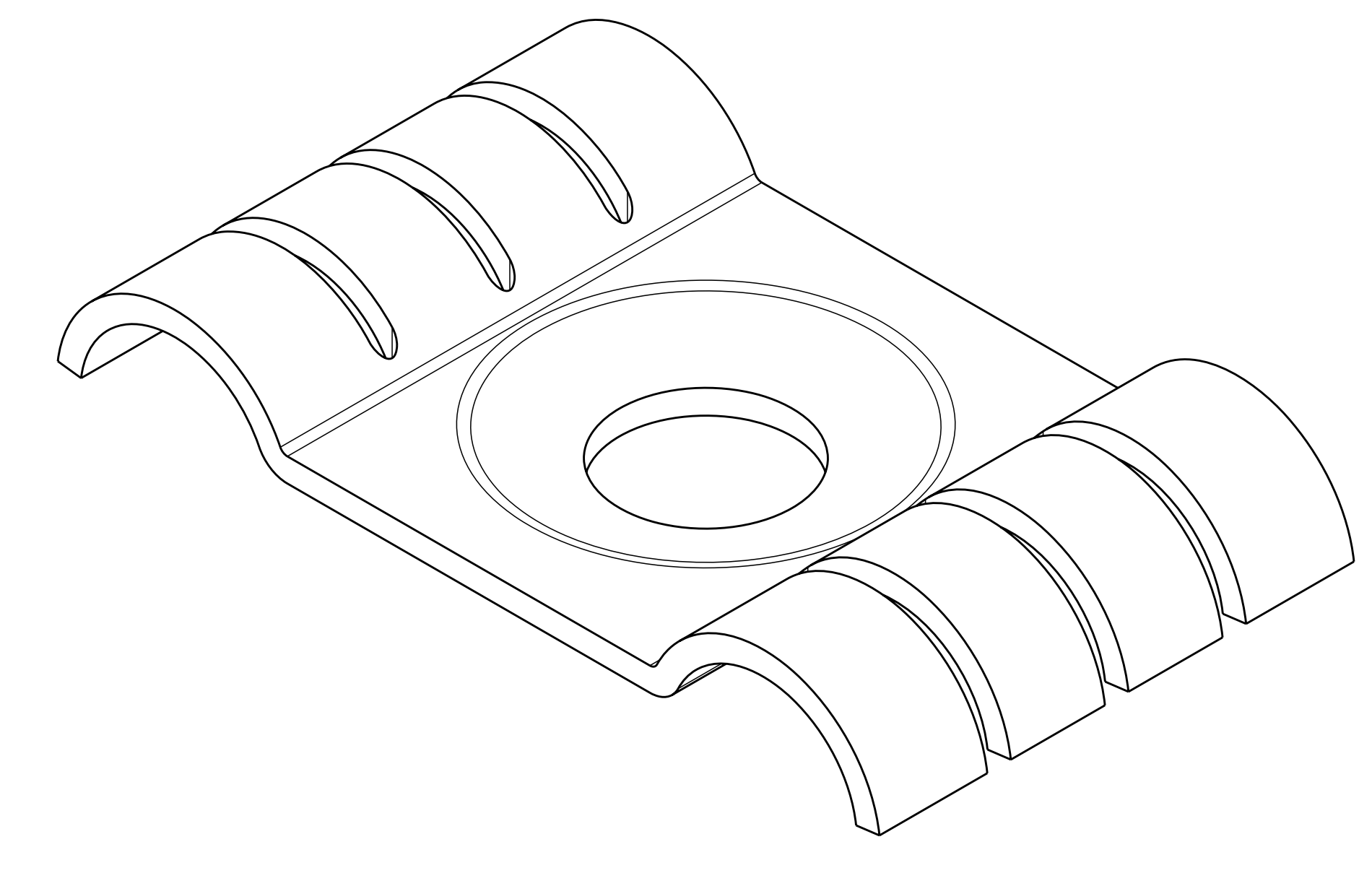
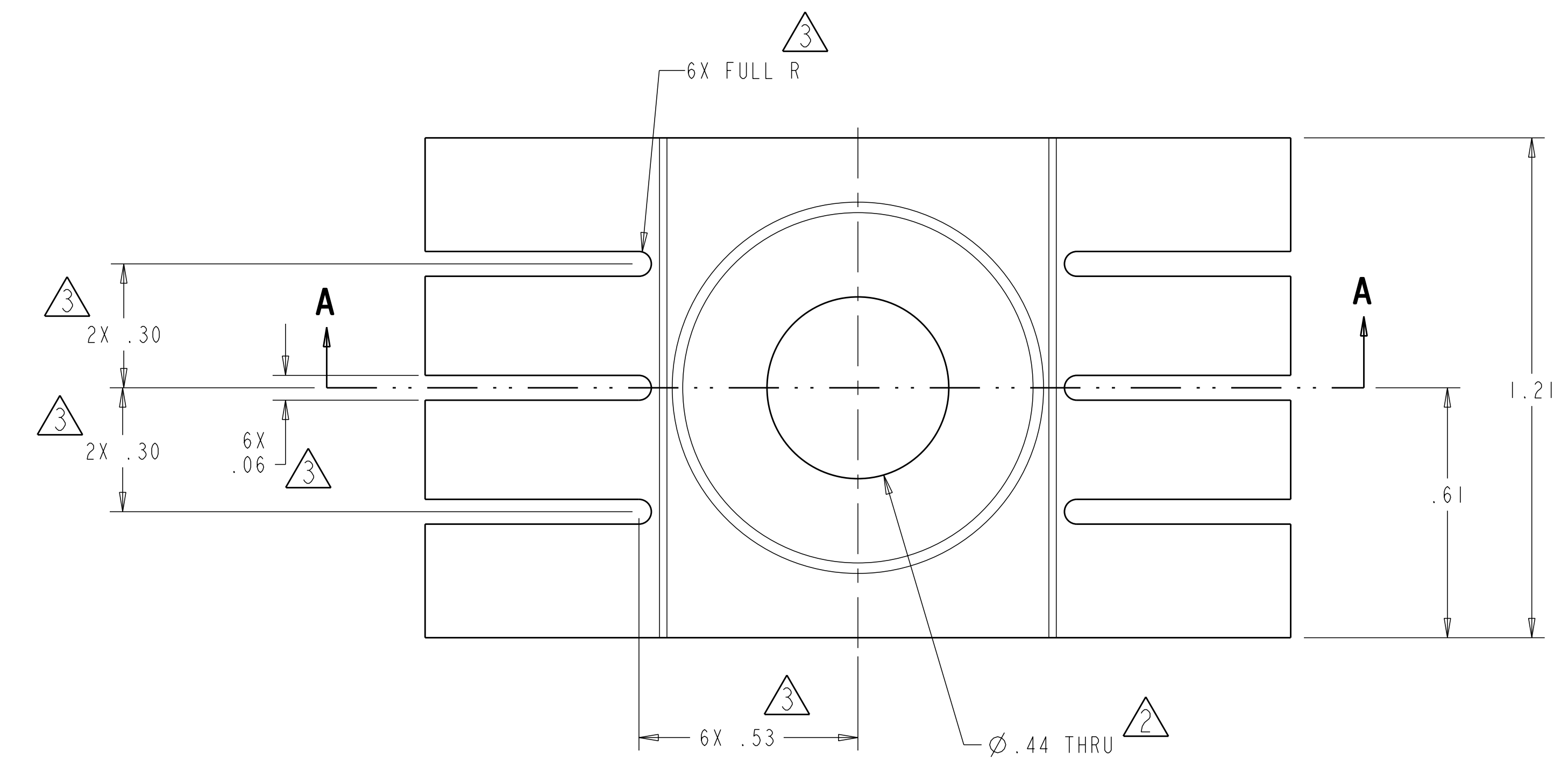
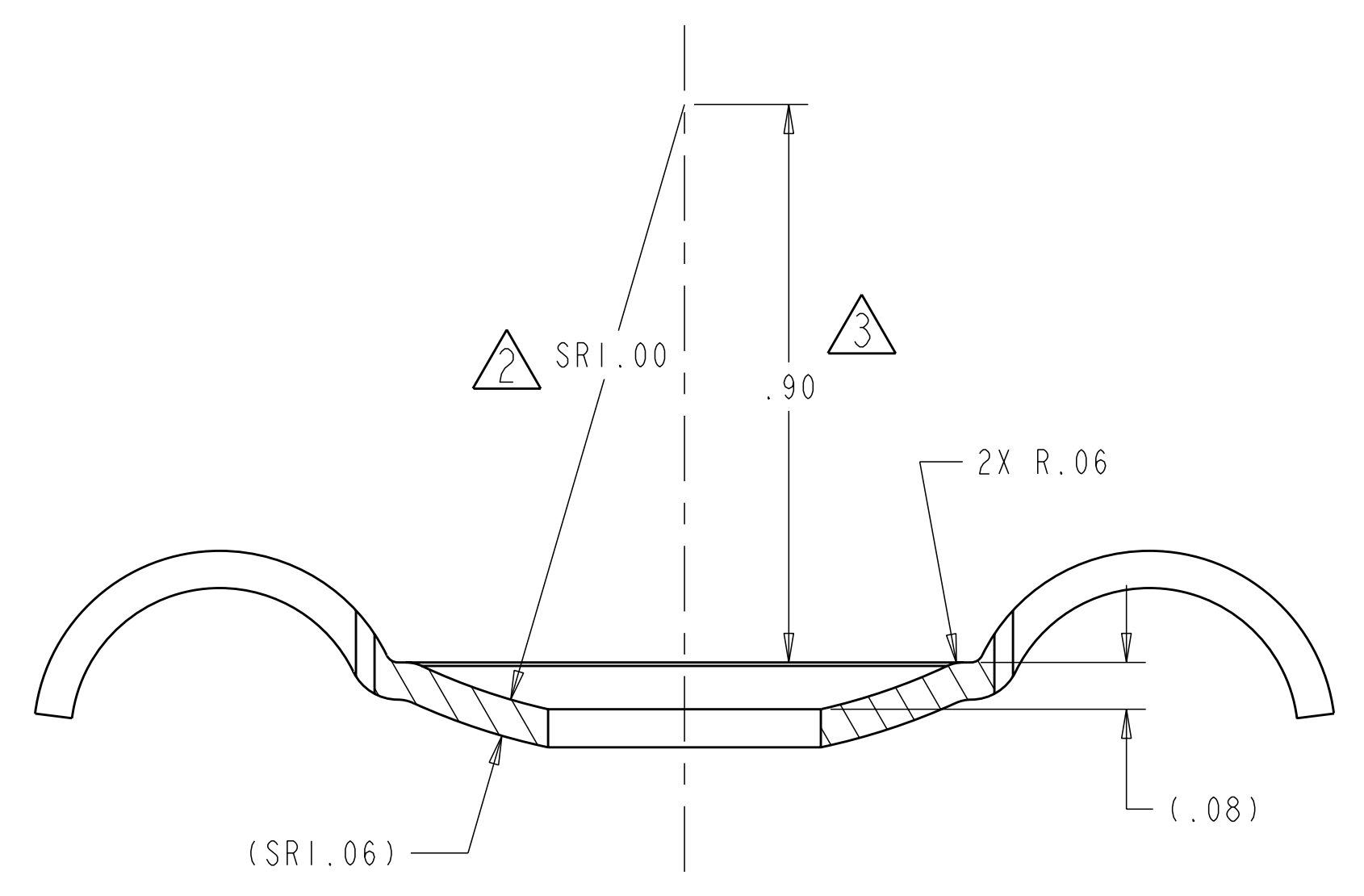
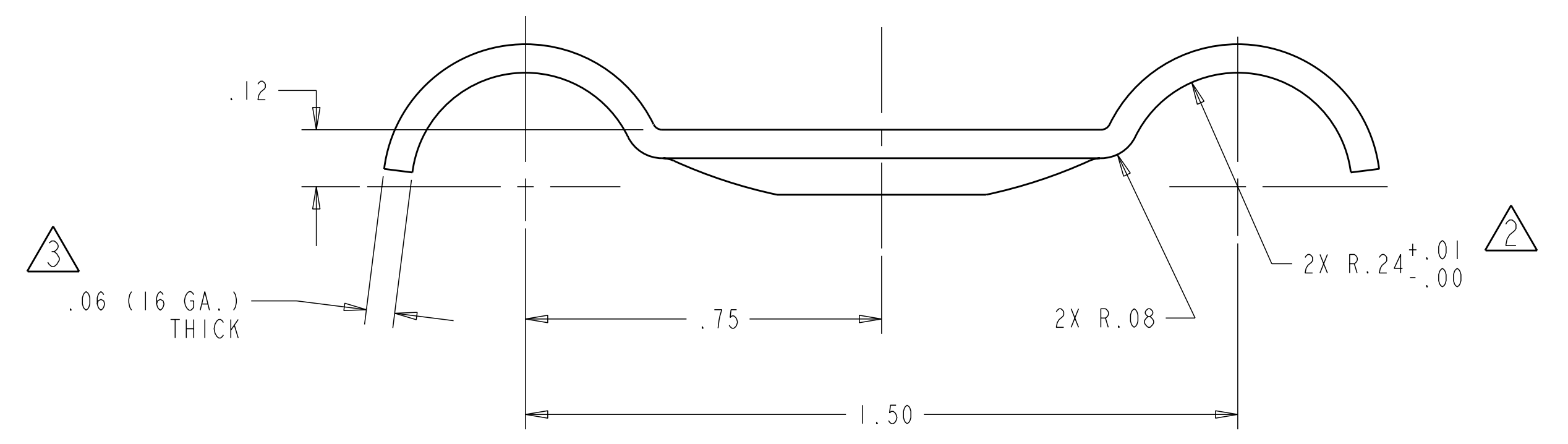


NOTES
 1. INTERPRET DIMENSIONS AND TOLERANCES PER ANSI Y14.5M.
 2. DIMENSIONS ARE IN INCHES.



ISOMETRIC VIEW



SECTION A-A

-1 STRAP
 SCALE 4.00

**RELEASED FOR
 FABRICATION / INSTALLATION**
 PPPL Drafting:

AR	SE123-008	-1	STRAP	316L SST	ASTM A240	I
CAGE CODE	PART OR IDENTIFYING NO	NOMENCLATURE OR DESCRIPTION	MATERIAL	SPECIFICATION	FIND NO	
	NEXT ASSEMBLY	PARTS LIST				

NO REPRESENTATION OR WARRANTY, EXPRESSED OR IMPLIED, IS MADE AS TO THE ACCURACY, COMPLETENESS OR USEFULNESS OF THE INFORMATION OR STATEMENTS CONTAINED IN THESE DRAWINGS, OR THAT THE USE OR DISCLOSURE OF ANY INFORMATION, APPARATUS, METHOD OR PROCESS DISCLOSED IN THESE DRAWINGS MAY NOT INFRINGE PRIVATE RIGHTS OF OTHERS. NO LIABILITY IS ASSUMED WITH RESPECT TO THE USE OF, OR FOR DAMAGES RESULTING FROM THE USE OF, ANY INFORMATION, APPARATUS, METHOD OR PROCESS DISCLOSED IN THESE DRAWINGS. DRAWINGS MADE AVAILABLE FOR INFORMATION TO BIDDER ARE NOT TO BE USED FOR OTHER PURPOSES, AND ARE TO BE RETURNED UPON REQUEST OF THE FORWARDING CONTRACTOR.

P THIS DRAWING PRODUCED ON PRO-ENGINEER

REV	DESCRIPTION	BY	DATE	CHK	DEPT	DATE	PE	REQ	DATE	ORNL	DOE	DATE
3	PER ECN NO. 5130	GWM	3/16/06	PLG		05/06						
2	PER ECN NO. 5038	MTB	10/31/05	MJC		12/05						
1	PER ECN NO. 5003	MJC	6/23/05	PLG								

SCALE NOTED	DES P GORANSON 4-22-05	Oak Ridge National Laboratory managed for the DEPARTMENT OF ENERGY under U.S. GOVERNMENT contract DE-AC05-00OR22725 UT-BATTELLE, LLC, Oak Ridge, Tennessee
TOLERANCES UNLESS OTHERWISE SPECIFIED	DRW G MCGINNIS 4-22-05	UT-BATTELLE
FRACTIONS	CHK G. H. JONES 05-04-05	NATIONAL COMPACT STELLARATOR EXPERIMENT
XX DECIMALS ±.01	DEPT :	VACUUM VESSEL HEATING/COOLING STRAP
XXX DECIMALS ±.005	FE :	DETAIL
ANGLES ±0°15'	CR :	
BREAK SHARP EDGES OR MAX	PJ :	
FINISH .125 UNLESS OTHERWISE SPECIFIED	REO :	
	PPPL DRFT J. SIEGEL 05/06	VERSION NO. 0
		PLANT ORNL
		BLDG 5700
		FL 3
		SHT 1
		OF 1
		TYPE I
		CLASS U
		RELEASE LEVEL Fabrication
		SE123-054
		REV 3