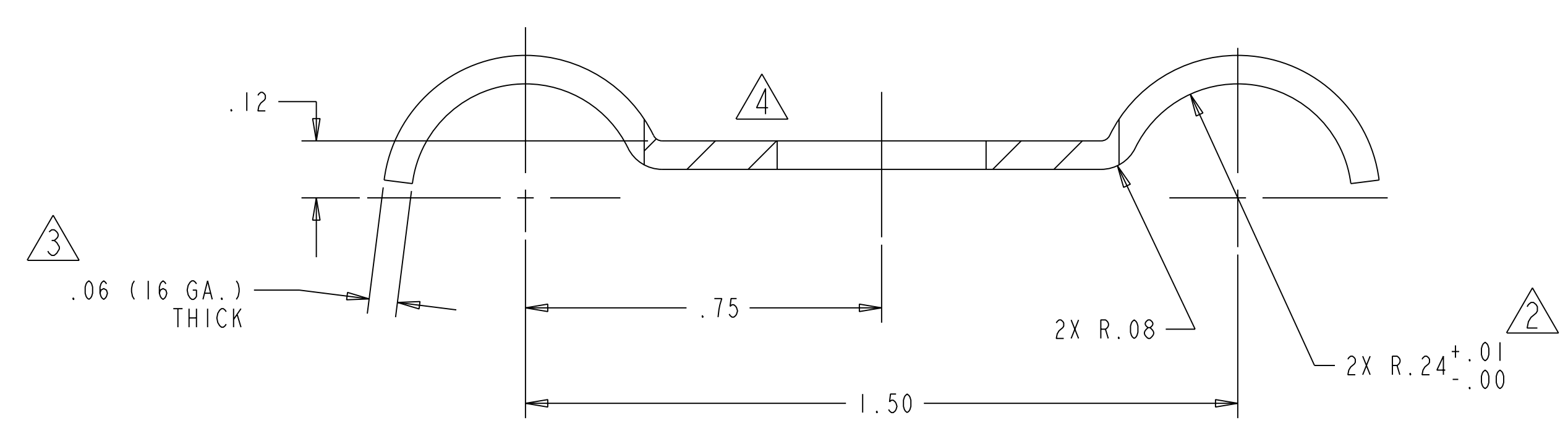
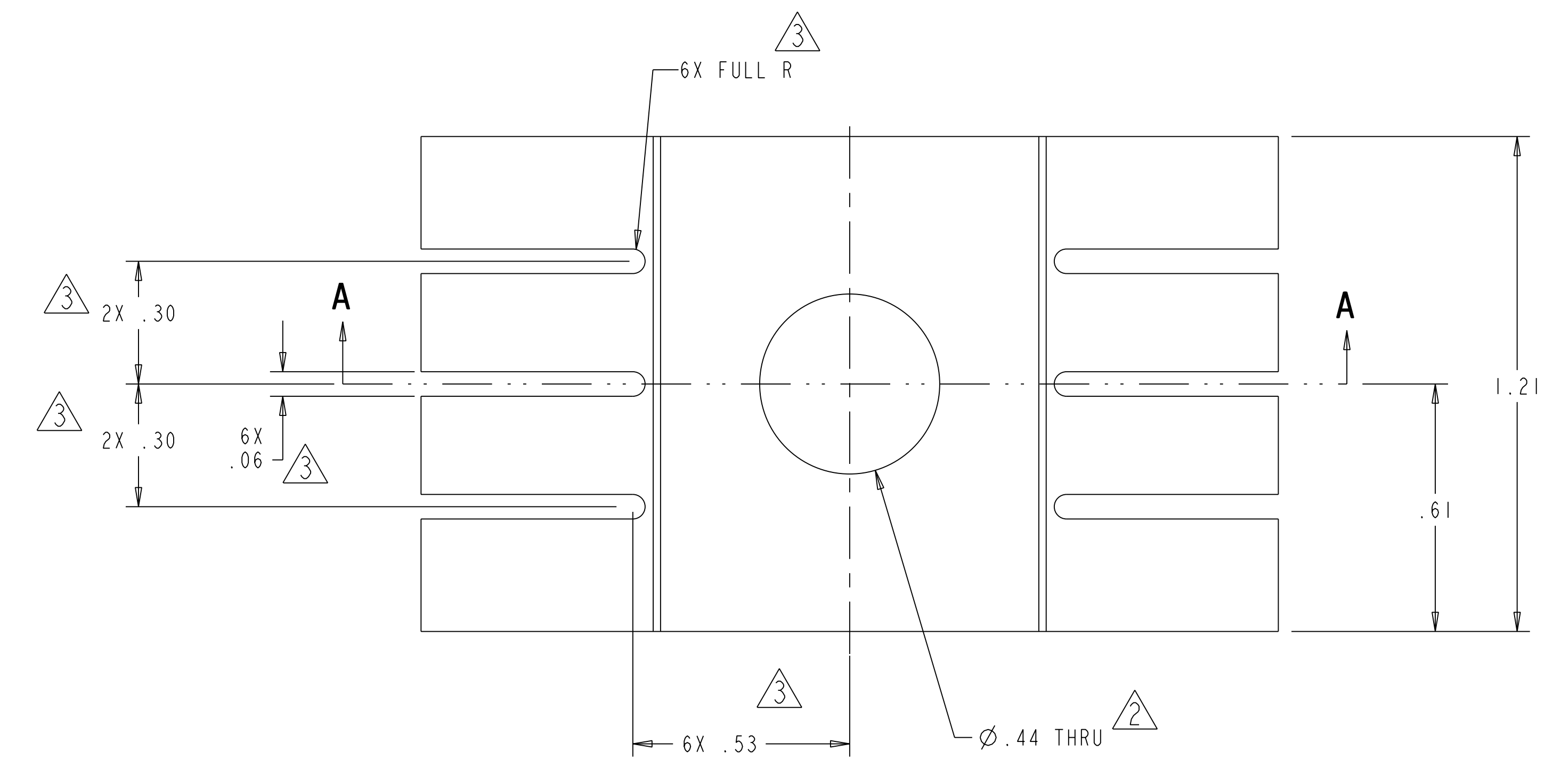
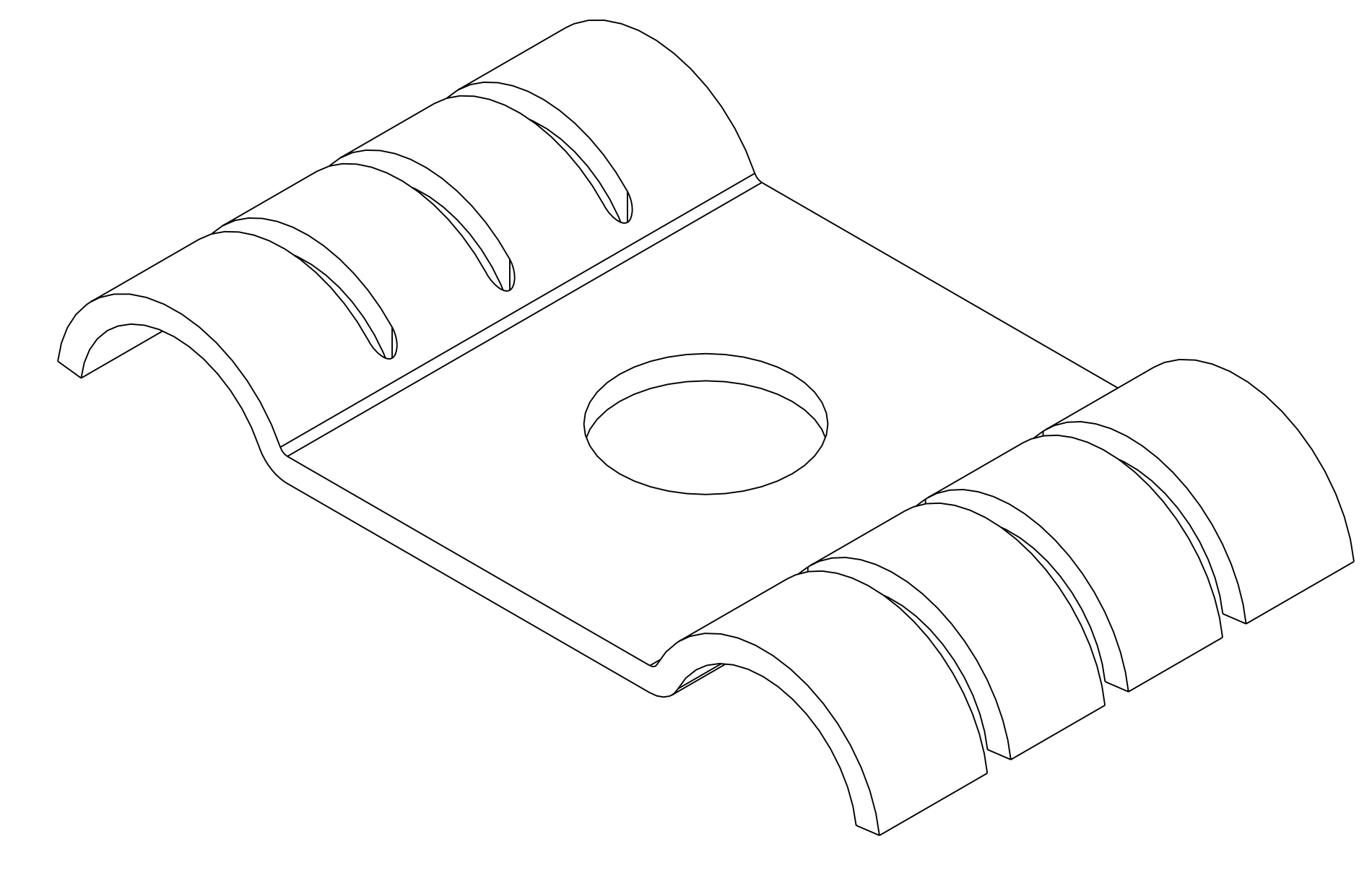


NOTES
 1. INTERPRET DIMENSIONS AND TOLERANCES PER ANSI Y14.5M.
 2. DIMENSIONS ARE IN INCHES.



SECTION A-A



ISOMETRIC VIEW

-1 STRAP
 SCALE 4.00

AR	SE 121-008	-1	STRAP	316L SST	ASTM A240	I
	CAGE CODE	PART OR IDENTIFYING NO	NOMENCLATURE OR DESCRIPTION	MATERIAL	SPECIFICATION	FIND NO
		NEXT ASSEMBLY	PARTS LIST			

RELEASED FOR FABRICATION/INSTALLATION
 PPPL Drafting

NO REPRESENTATION OR WARRANTY, EXPRESSED OR IMPLIED, IS MADE AS TO THE ACCURACY, COMPLETENESS OR USEFULNESS OF THE INFORMATION OR STATEMENTS CONTAINED IN THESE DRAWINGS, OR THAT THE USE OR DISCLOSURE OF ANY INFORMATION, APPARATUS, METHOD OR PROCESS DISCLOSED IN THESE DRAWINGS MAY NOT INFRINGE PRIVATE RIGHTS OF OTHERS. NO LIABILITY IS ASSUMED WITH RESPECT TO THE USE OF, OR FOR DAMAGES RESULTING FROM THE USE OF, ANY INFORMATION, APPARATUS, METHOD OR PROCESS DISCLOSED IN THESE DRAWINGS. DRAWINGS MADE AVAILABLE FOR INFORMATION TO BIDDER ARE NOT TO BE USED FOR OTHER PURPOSES, AND ARE TO BE RETURNED UPON REQUEST OF THE FORWARDING CONTRACTOR.

P THIS DRAWING PRODUCED ON PRO-ENGINEER

REV	DESCRIPTION	BY	DATE	CHK	DEPT	DATE	PE	REQ	DATE	ORNL	DOE	DATE
4	ECN NO. 5225, REMOVED DIMPLE	GM	03/07									
3	PER ECN NO. 5130	GWM	3/16/06	PLG		05/06						
2	PER ECN NO. 5038	MTB	10/31/05	MJC		12/05						
1	PER ECN NO. 5003	MJC	8/23/05	PLG								

SCALE NOTED	DES P GORANSON 4-22-05
TOLERANCES UNLESS OTHERWISE SPECIFIED	DRW G MCGINNIS 4-22-05
FRACTIONS	CHK G. H. JONES 05-04-05
XX DECIMALS ±.01	SECT :
XXX DECIMALS ±.005	DEPT :
ANGLES ±0°15'	FE :
BREAK SHARP EDGES OR MAX FINISH .125 UNLESS OTHERWISE SPECIFIED	CR :
	PJ :
	RD :
	RE :
	PPPL DRFT J. SIEGEL 05/06
	VERSION NO. :
	PLANT ORNL
	BLDG 5700
	FL 3
	SHT 1
	OF 1
	TYPE S
	CLASS U
	REV 4
	RELEASE LEVEL Fabrication
	SE123-054
	DRAWING APPROVALS DATE

Oak Ridge National Laboratory managed for the DEPARTMENT OF ENERGY under U.S. GOVERNMENT CONTRACT DE-AC05-00OR22725 UT-BATTELLE, LLC, Oak Ridge, Tennessee
 PROJECT NAME NATIONAL COMPACT STELLARATOR EXPERIMENT
 VACUUM VESSEL HEATING/COOLING STRAP
 DETAIL

SE123-054