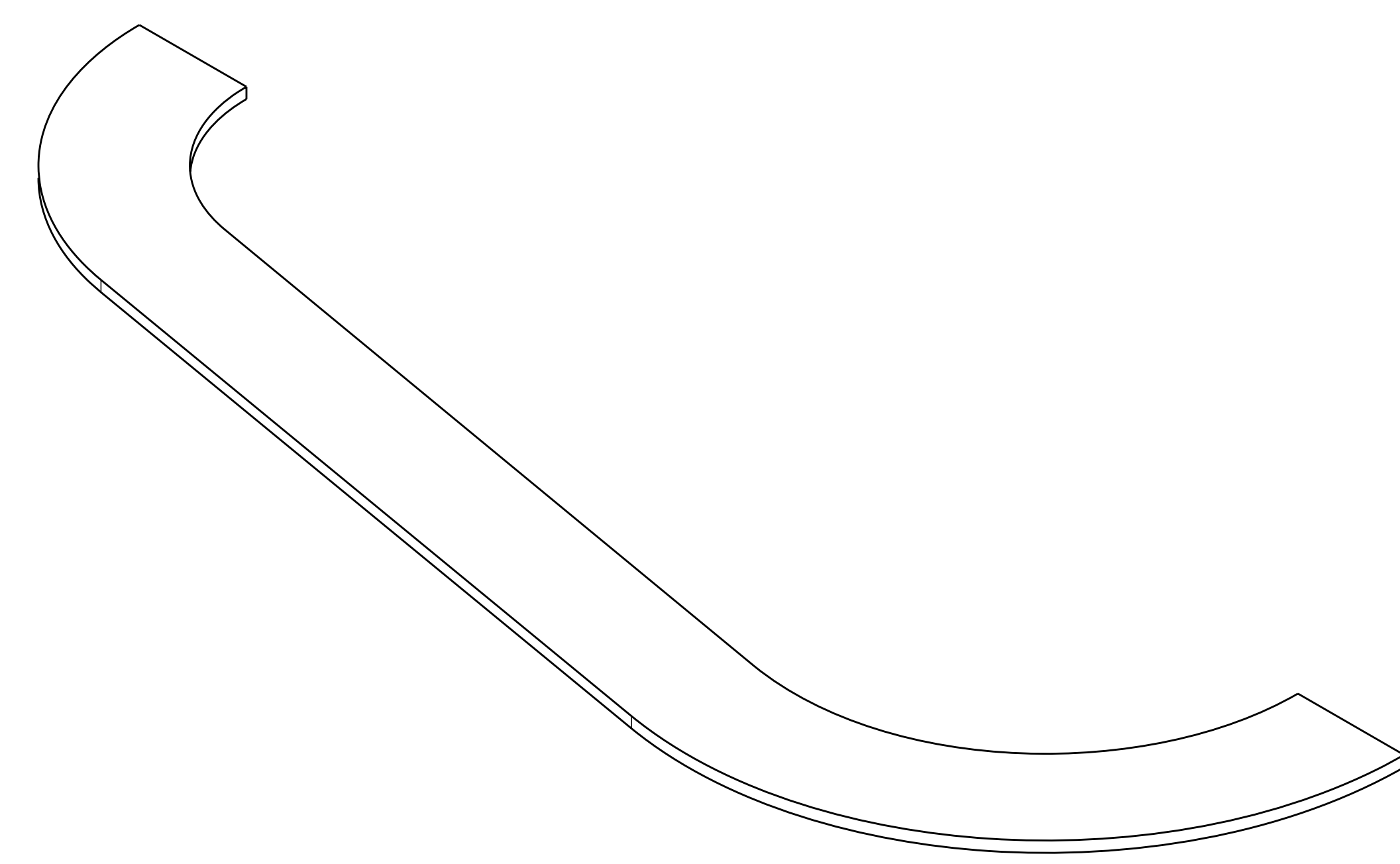
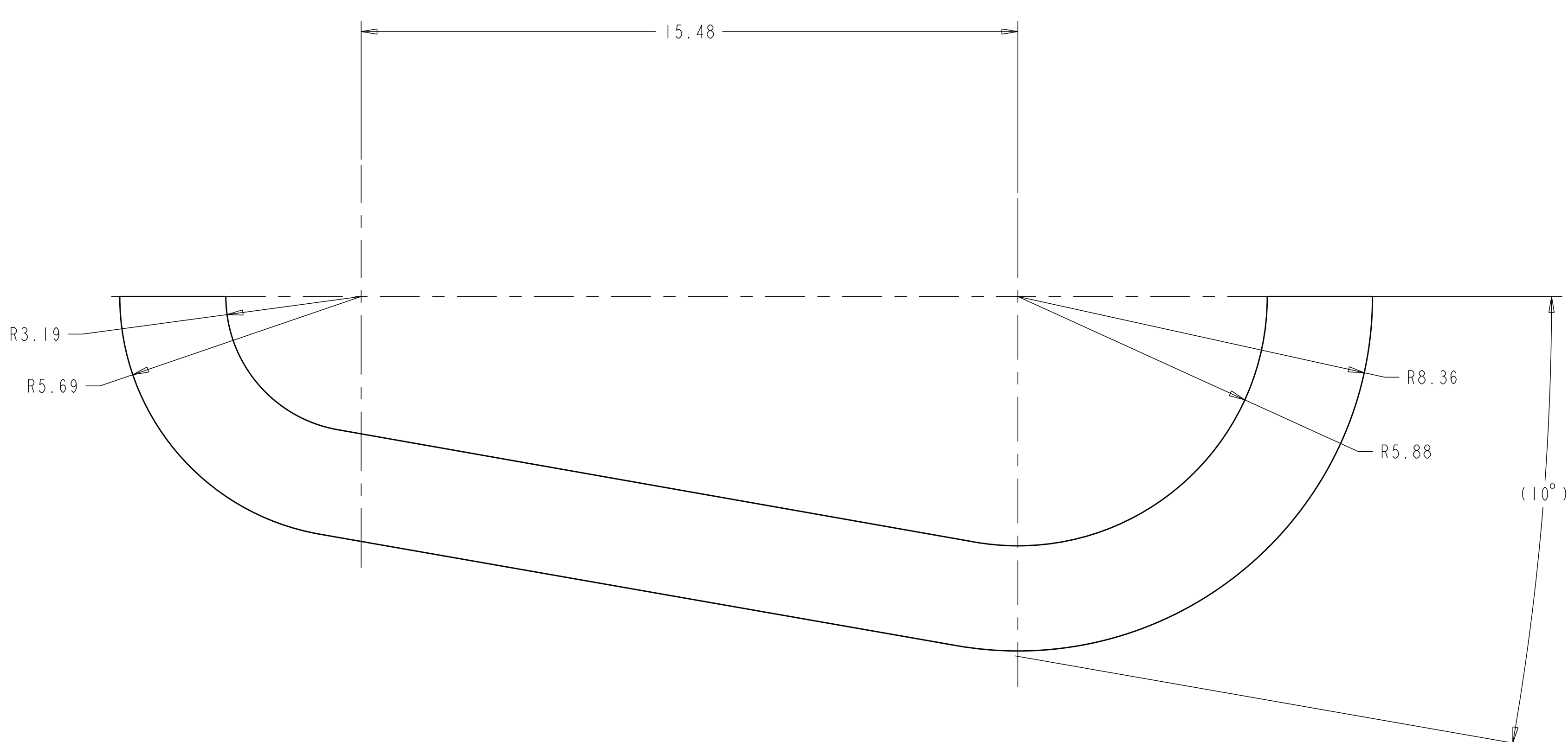


NOTES
 1. INTERPRET DIMENSIONS AND TOLERANCES PER ANSI Y14.5M.
 2. DIMENSIONS ARE IN INCHES



ISOMETRIC VIEW
 SCALE 0.50



1 SCALE: .50

**RELEASED FOR
 FABRICATION / INSTALLATION**
 PPPL Drafting:

AR	-1	MOUNTING FLANGE	316L SST ANNEALED	ASTM A240	I
CAGE CODE	PART OR IDENTIFYING NO	NOMENCLATURE OR DESCRIPTION	MATERIAL	SPECIFICATION	FIND NO
SE123-049	←	NEXT ASSEMBLY	PARTS LIST		

NO REPRESENTATION OR WARRANTY, EXPRESSED OR IMPLIED, IS MADE AS TO THE ACCURACY, COMPLETENESS OR USEFULNESS OF THE INFORMATION OR STATEMENTS CONTAINED IN THESE DRAWINGS, OR THAT THE USE OR DISCLOSURE OF ANY INFORMATION, APPARATUS, METHOD OR PROCESS DISCLOSED IN THESE DRAWINGS MAY NOT INFRINGE PRIVATE RIGHTS OF OTHERS. NO LIABILITY IS ASSUMED WITH RESPECT TO THE USE OF, OR FOR DAMAGES RESULTING FROM THE USE OF, ANY INFORMATION, APPARATUS, METHOD OR PROCESS DISCLOSED IN THESE DRAWINGS. DRAWINGS MADE AVAILABLE FOR INFORMATION TO BIDDER ARE NOT TO BE USED FOR OTHER PURPOSES, AND ARE TO BE RETURNED UPON REQUEST OF THE FORWARDING CONTRACTOR.

P THIS DRAWING PRODUCED ON PRO-ENGINEER

REV	DESCRIPTION	BY	DATE	CHK	DEPT	DATE	PE	REQ	DATE	ORNL	DOE	DATE
0	ORIGINAL ISSUE											
	REVISION OR ISSUE PURPOSE											

SCALE	NOTED	DES	P. L. GORANSON	04/07/05
TOLERANCES UNLESS OTHERWISE SPECIFIED		DRW	G. H. JONES	04/07/05
FRACTIONS		CHK	S. PARSON	05/05
XX DECIMALS ±.003		SECT		
XXX DECIMALS ±.005		DEPT		
ANGLES ±0°15'		CR		
BREAK SHARP EDGES .06 MAX		PJ		
FINISH .125 UNLESS OTHERWISE SPECIFIED		REQ		
		PPPL DRFT	J. SIEGEL	10/05
		DRAWING APPROVALS		DATE

UT-BATTELLE		Oak Ridge National Laboratory Managed for the DEPARTMENT OF ENERGY under U.S. GOVERNMENT contract DE-AC05-00OR22725 UT-BATTELLE, LLC, Oak Ridge, Tennessee	
PROJECT NAME			
NATIONAL COMPACT STELLARATOR EXPERIMENT			
VACUUM VESSEL HEATING/COOLING MOUNTING FLANGE			
DETAIL			
VERSION NO.	PLANT	BLDG	FL SHT OF TYPE CLASS
3	X10	5700	3 1 1 S U
RELEASE LEVEL	Fabrication		
	SE123-167		
REV	0		

SE123-167