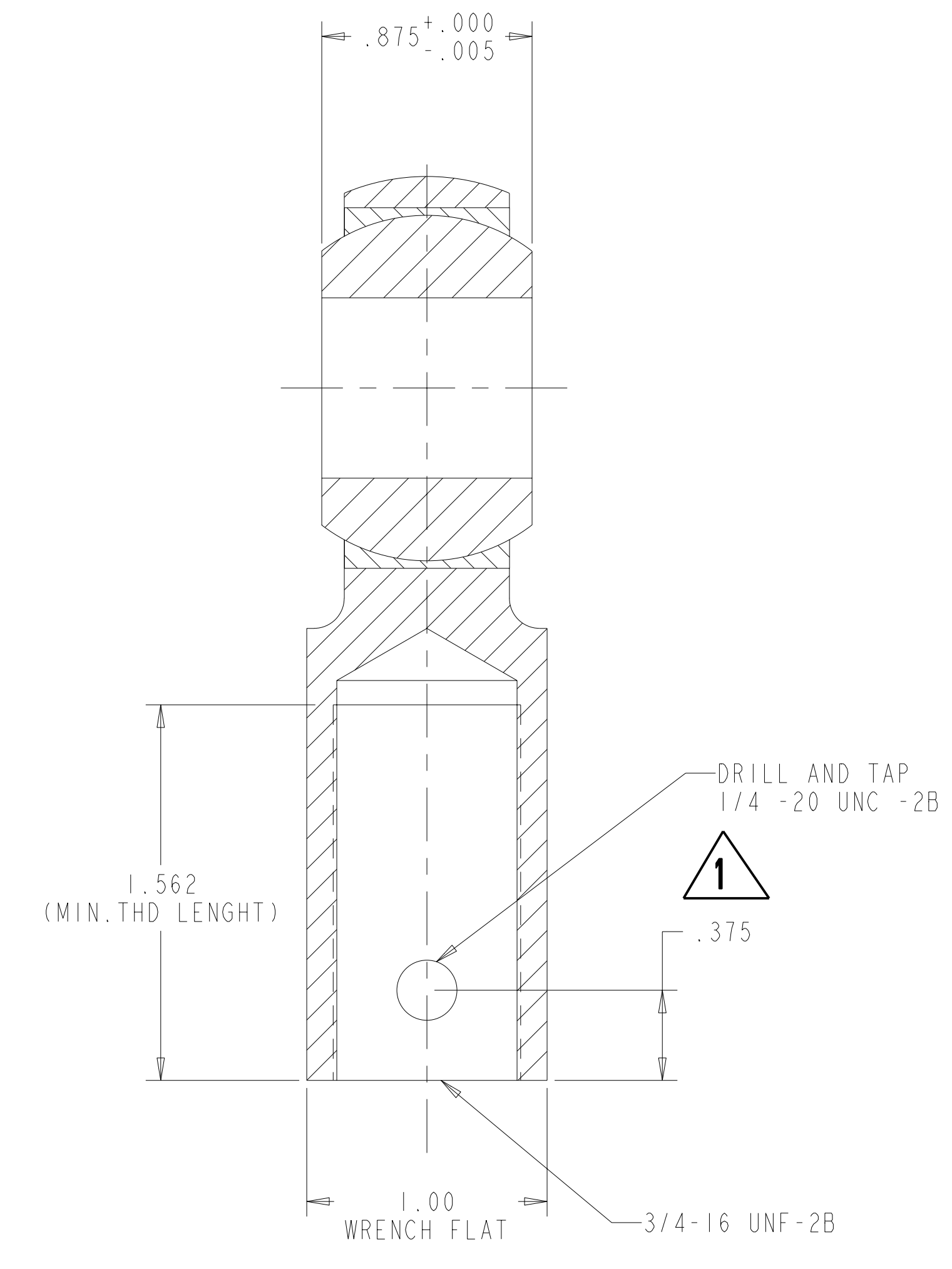
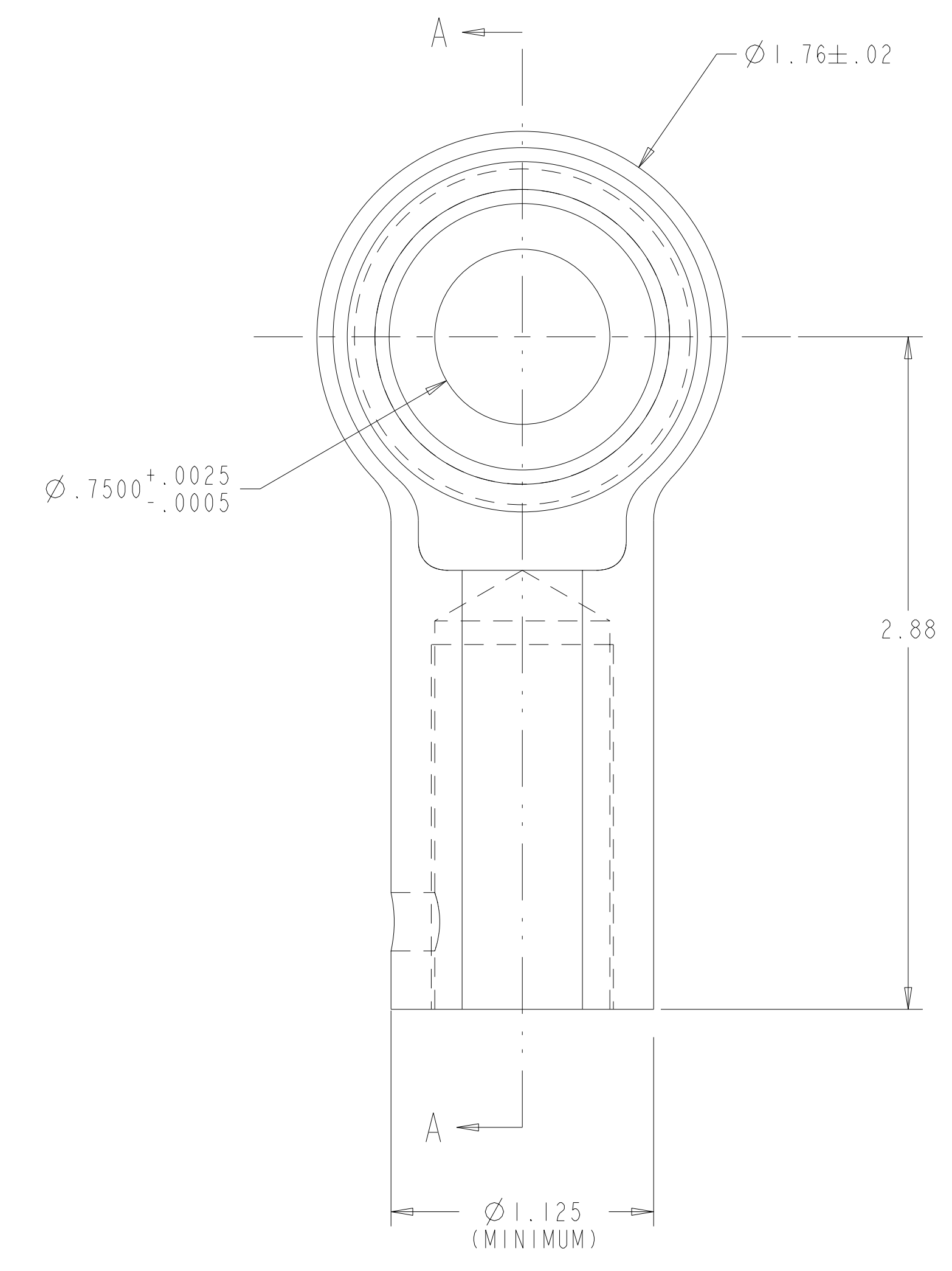
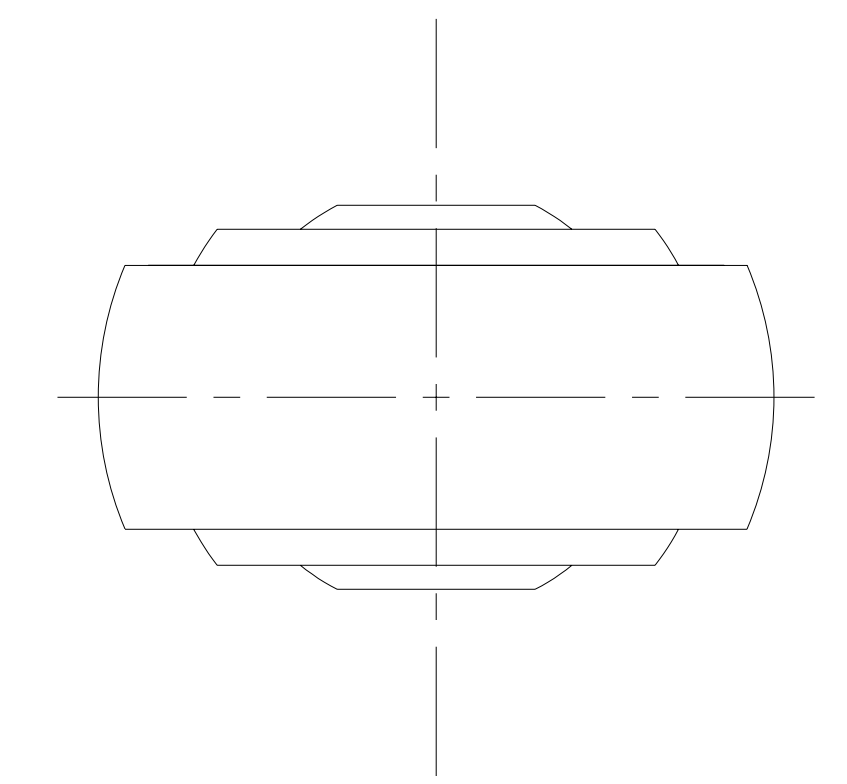
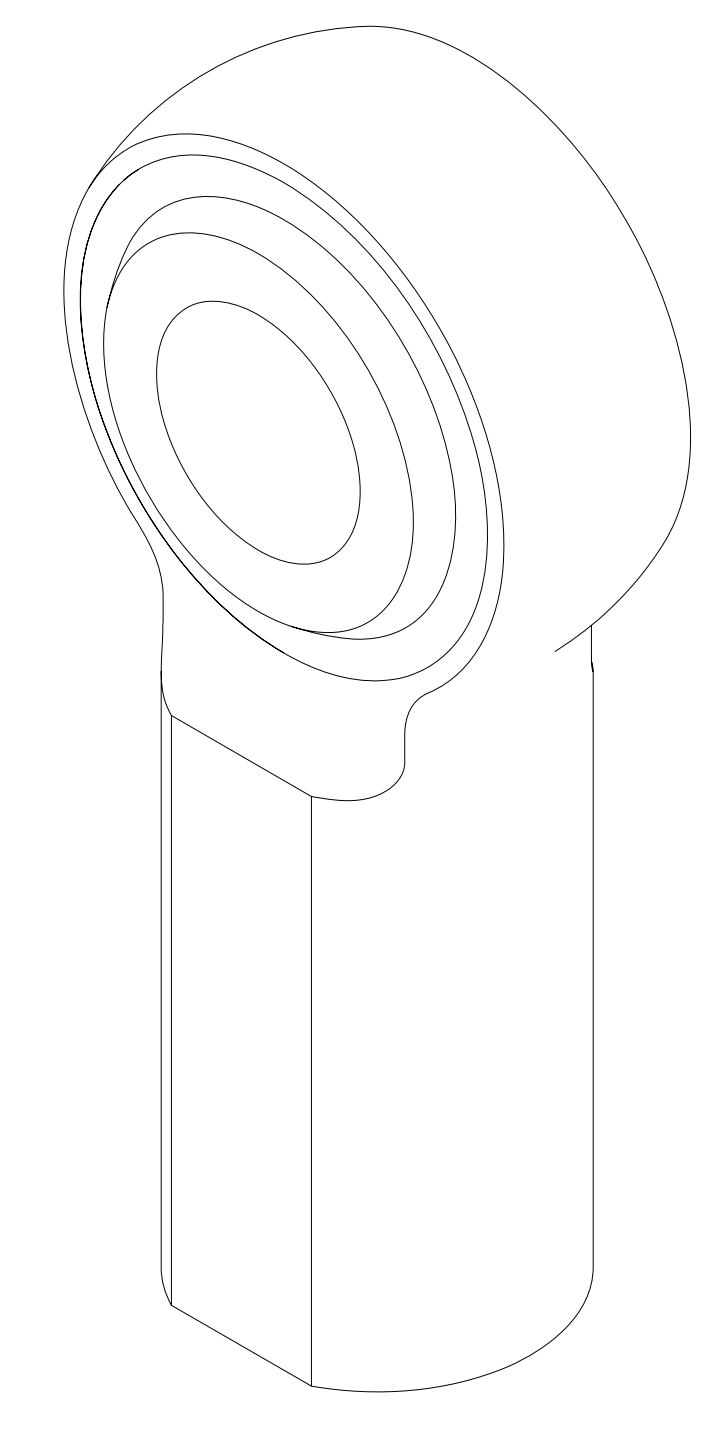


- NOTES:
1. INTERPRET DIMENSIONS AND TOLERANCES PER ANSI Y14.5M
 2. DIMENSIONS ARE IN INCHES
 3. DIMENSIONS APPLY AT TEMPERATURE OF 20-30°C (68-86°F)
 4. DRAWING DEPICTS FINAL MACHINED STATE OF PART DEFINED BY PRO/ENGINEER FILE SE124-014.PRT
 5. APPROXIMATE WEIGHT= 0.37 lbs.
 6. MINIMUM RADIAL ULTIMATE STATIC LOAD REQUIREMENT 29,300 LBS
 7. ALL METAL, THREE PIECE ASSEMBLY.
 8. MAXIMUM OPERATING TEMPERATURE 662° F.
 9. MISALIGNMENT ANGLE SHALL BE A MINIMUM OF ±6 DEGREES
 10. MAGNETIC PERMEABILITY SHALL NOT EXCEED 1.02.
 11. DRY LUBRICATE MOVING SURFACES WITH A NON-MAGNETIC LUBRICANT SUITABLE FOR OPERATION @ 662°F.



SECTION A-A



ISOMETRIC VIEW

1 SCALE: 2.00

Next Assy	AR	AR	-1	VERTICAL SUPPORT ROD END, FEMALE	TITANIUM 6AL-4V	
SE124-051	SE124-054	SE124-054	SE124-054	VERTICAL SUPPORT ROD END, FEMALE	TITANIUM 6AL-4V	

RELEASED FOR FABRICATION / INSTALLATION
 PPPL Drafting

NO REPRESENTATION OR WARRANTY, EXPRESSED OR IMPLIED, IS MADE AS TO THE ACCURACY, COMPLETENESS OR USEFULNESS OF THE INFORMATION OR STATEMENTS CONTAINED IN THESE DRAWINGS, OR THAT THE USE OR DISCLOSURE OF ANY INFORMATION, APPARATUS, METHOD OR PROCESS DISCLOSED IN THESE DRAWINGS MAY NOT INFRINGE PRIVATE RIGHTS OF OTHERS. NO LIABILITY IS ASSUMED WITH RESPECT TO THE USE OF, OR FOR DAMAGES RESULTING FROM THE USE OF, ANY INFORMATION, APPARATUS, METHOD OR PROCESS DISCLOSED IN THESE DRAWINGS. DRAWINGS MADE AVAILABLE FOR INFORMATION TO BIDDER ARE NOT TO BE USED FOR OTHER PURPOSES, AND ARE TO BE RETURNED UPON REQUEST OF THE FORWARDING CONTRACTOR.

P THIS DRAWING PRODUCED ON PRO-ENGINEER

REV	DESCRIPTION	BY	DATE	CHK	DEPT	DATE	PE	REQ	DATE	ORNL	DOE	DATE
1	ADD LOCKING FEATURE (SET SCREW) PER ECN 5283	GLL	09/07									
0	ORIGINAL ISSUE	GHJ	3/3/05									

SCALE	NOTED	DES	PAUL MILLER	08-17-04	DRW	PAUL MILLER	08-17-04	CHK	J.M. RAY	04-07-05	SECT	DEPT	PLANT	BLDG	FL	SHT	OF	TYPE	CLASS

UT-BATTELLE
 NATIONAL COMPACT STELLARATOR EXPERIMENT
 VERTICAL SUPPORT ROD END, FEMALE
 DETAIL
 VERSION NO. 2
 PLANT X-10
 BLDG 5700
 FL 3
 SHT 1
 OF 1
 TYPE S
 CLASS U
 DRAWING APPROVALS DATE SE124-014

H
G
F
E
D
C
B
A

SE124-014