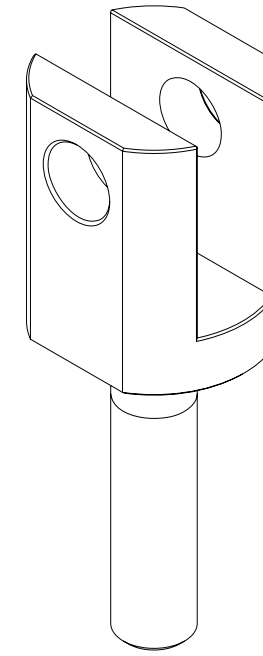
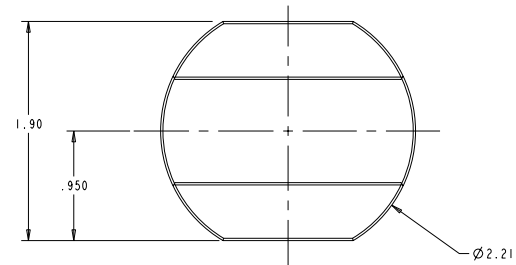
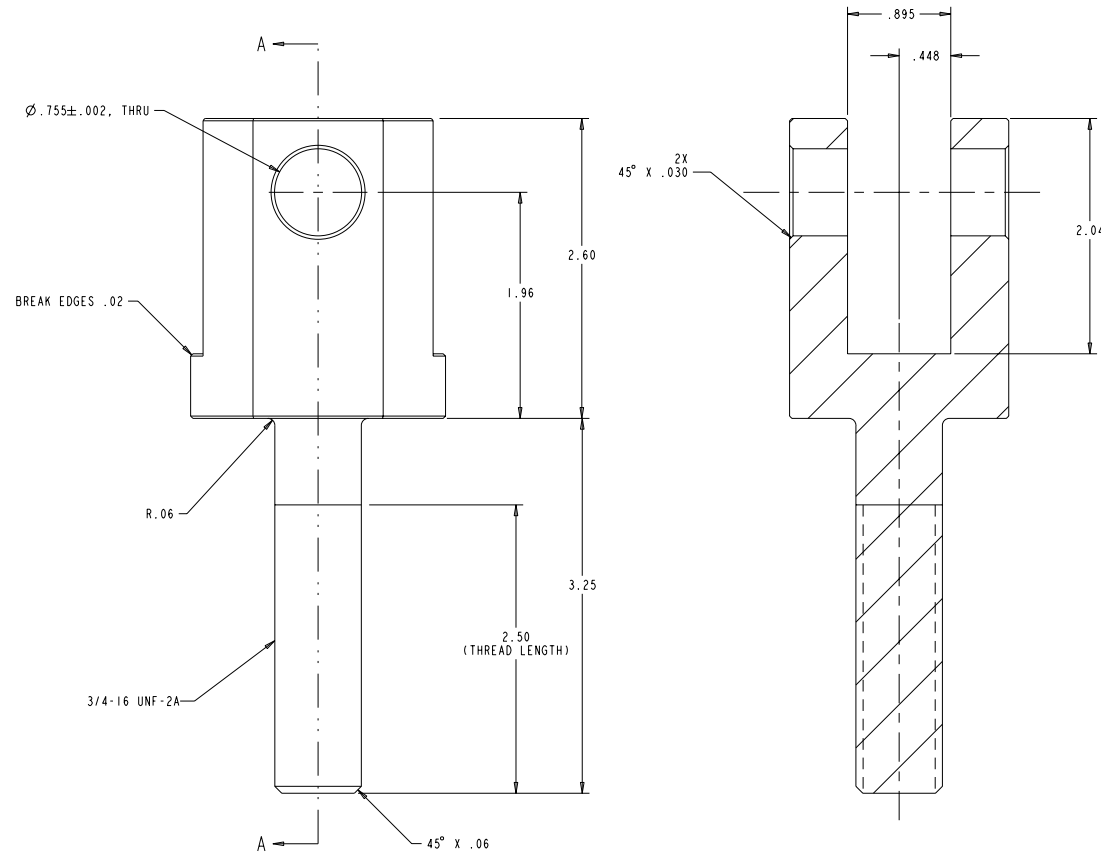


NOTES:

1. INTERPRET DIMENSIONS AND TOLERANCES PER ANSI Y14.5M
2. DIMENSIONS ARE IN INCHES
3. DIMENSIONS APPLY AT TEMPERATURE OF 20-30°C (68-86°F)
4. DRAWING DEPICTS FINAL MACHINED STATE OF PART DEFINED BY PRO/ENGINEER FILE SE124-055.PRT
5. APPROXIMATE WEIGHT= 1.79 lbs.



ISOMETRIC VIEW



SECTION A-A

SCALE: 2.00

RELEASED FOR FABRICATION / INSTALLATION
 PPPL Drafting

| REV | AR | AR | CAGE CODE | PART OR IDENTIFYING NO | NOMENCLATURE OR DESCRIPTION | MATERIAL | SPECIFICATION | FINI NO |
|-----|-----------|-----------|-----------|------------------------|-----------------------------|-------------|---------------|---------|
| 0 | SE124-051 | SE124-054 | | | VERTICAL SUPPORT CLEVIS | INCONEL 718 | | |
| | | | | | NEXT ASSEMBLY | | PARTS LIST | |

NO REPRESENTATION OR WARRANTY, EXPRESSED OR IMPLIED, IS MADE AS TO THE ACCURACY, COMPLETENESS OR USEFULNESS OF THE INFORMATION OR STATEMENTS CONTAINED IN THESE DRAWINGS, OR THAT THE USE OR DISCLOSURE OF ANY INFORMATION, APPARATUS, METHOD OR PROCESS DISCLOSED IN THESE DRAWINGS MAY NOT INFRINGE PRIVATE RIGHTS OF OTHERS. NO LIABILITY IS ASSUMED WITH RESPECT TO THE USE OF, OR FOR DAMAGES RESULTING FROM THE USE OF, ANY INFORMATION, APPARATUS, METHOD OR PROCESS DISCLOSED IN THESE DRAWINGS. DRAWINGS MADE AVAILABLE FOR INFORMATION TO BIDDERS ARE NOT TO BE USED FOR OTHER PURPOSES, AND ARE TO BE RETURNED UPON REQUEST OF THE FORWARDING CONTRACTOR.

P THIS DRAWING PRODUCED ON PRO-ENGINEER

| REV | DESCRIPTION | BY | DATE | CHK | DEPT | DATE | PE | REQ | DATE | ORNL | DOE | DATE |
|-----|----------------|-----|--------|-----|------|------|----|-----|------|------|-----|------|
| 0 | ORIGINAL ISSUE | GHJ | 3/3/05 | | | | | | | | | |

| | | |
|---------------------------------------|-----------------|----------|
| SCALE NOTED | DES PAUL MILLER | 08-17-04 |
| TOLERANCES UNLESS OTHERWISE SPECIFIED | DRW PAUL MILLER | 08-17-04 |
| FRACTIONS | CHK J.M. RAY | 04-07-05 |
| XX DECIMALS ±.01 | DEPT : | |
| XXX DECIMALS ±.005 | PE : | |
| ANGLES ±0°15' | CR : | |
| BREAK SHARP EDGES .04 MAX | PJ : | |
| FINISH UNLESS OTHERWISE SPECIFIED | REQ : | |
| | DRFT : | |
| | DATE : | |

| | | | | | | | |
|---|-------|------|----|---|----|------|-------|
| UT-BATTELLE | | | | Oak Ridge National Laboratory managed for the DEPARTMENT OF ENERGY under U.S. GOVERNMENT CONTRACT DE-AC05-00OR22725 UT-BATTELLE, LLC, Oak Ridge, Tennessee | | | |
| NATIONAL COMPACT STELLARATOR EXPERIMENT | | | | | | | |
| VERTICAL SUPPORT CLEVIS DETAIL | | | | | | | |
| VERSION NO. | PLANT | BLDG | FL | SHT | OF | TYPE | CLASS |
| 19 | X-10 | 5700 | 3 | 1 | 1 | S | U |
| RELEASE LEVEL | | | | Fabrication | | | |
| SE124-055 | | | | REV 0 | | | |