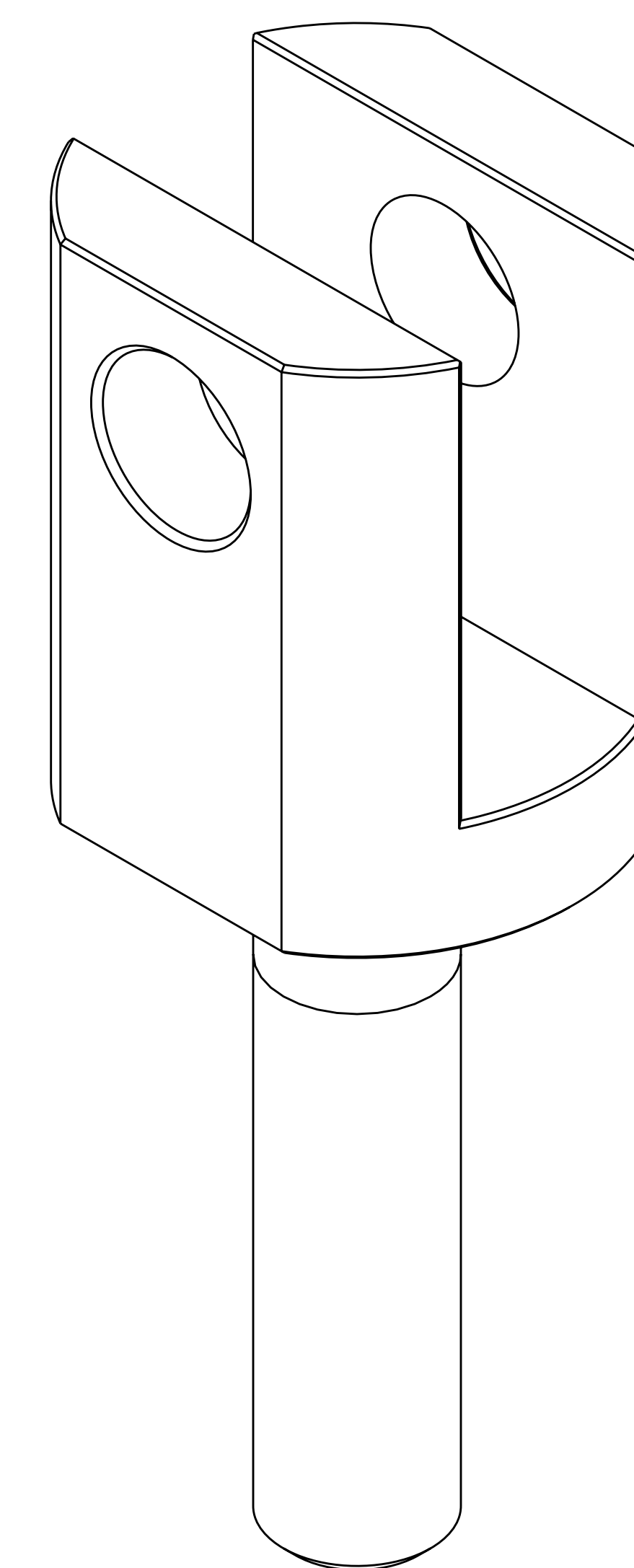
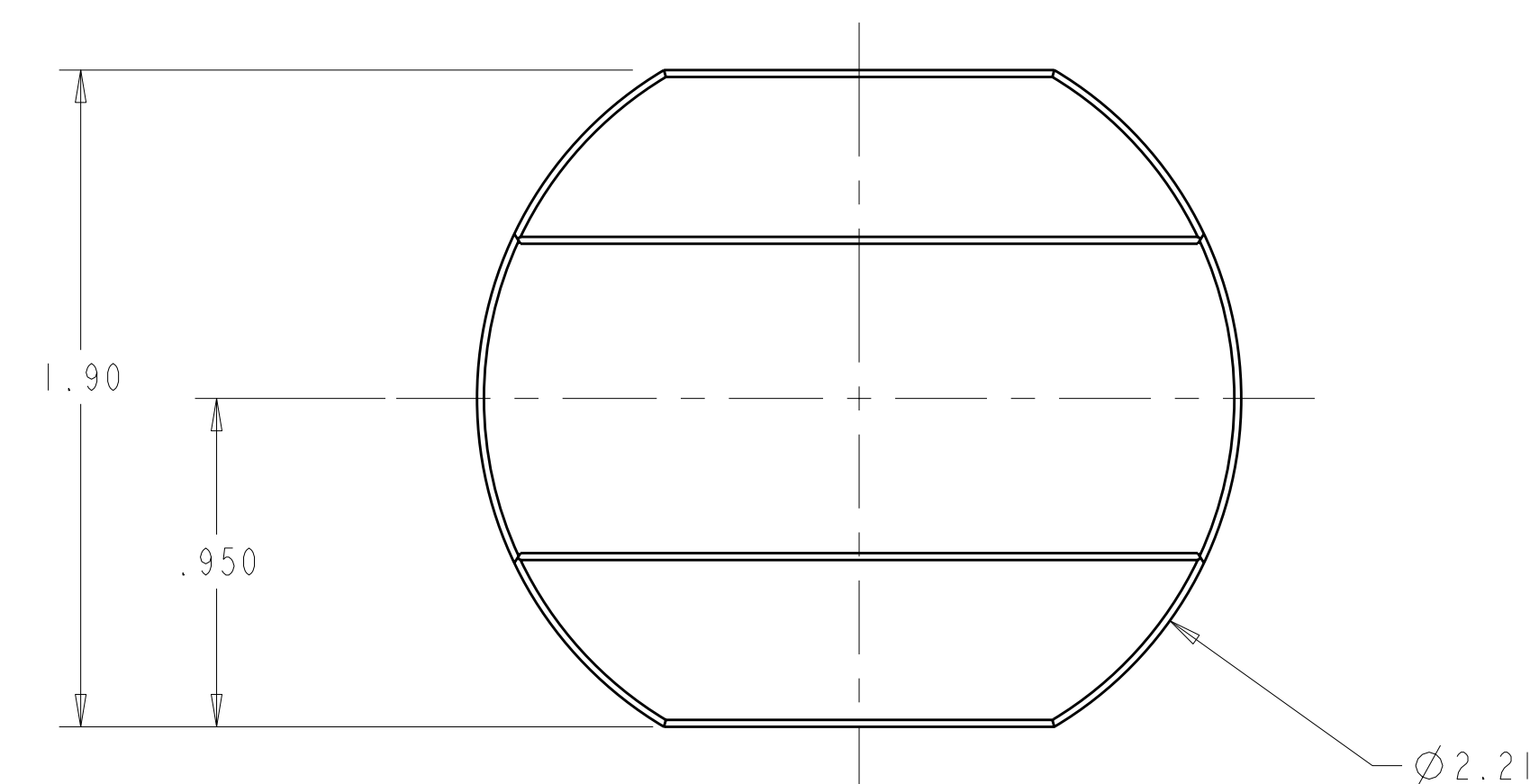
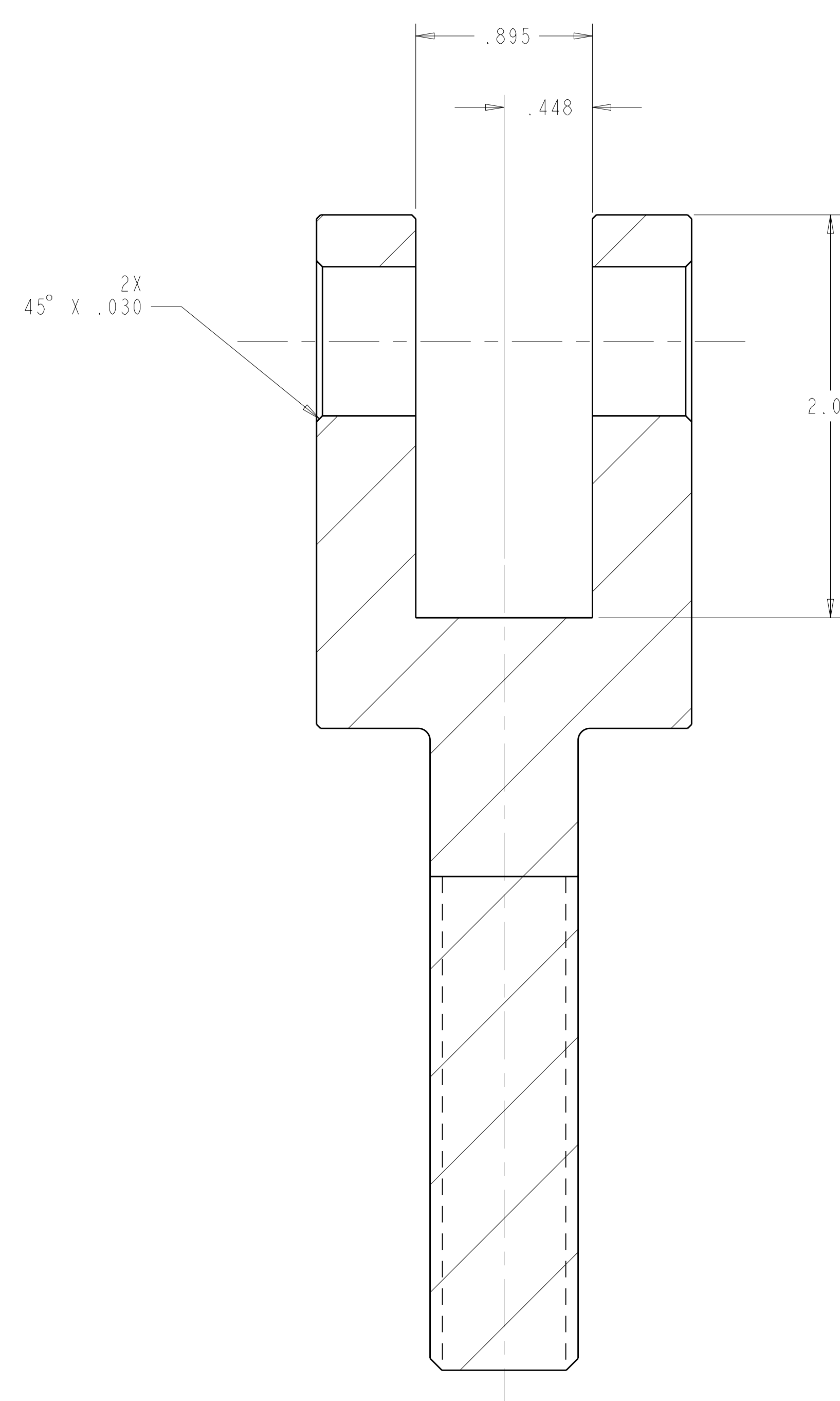
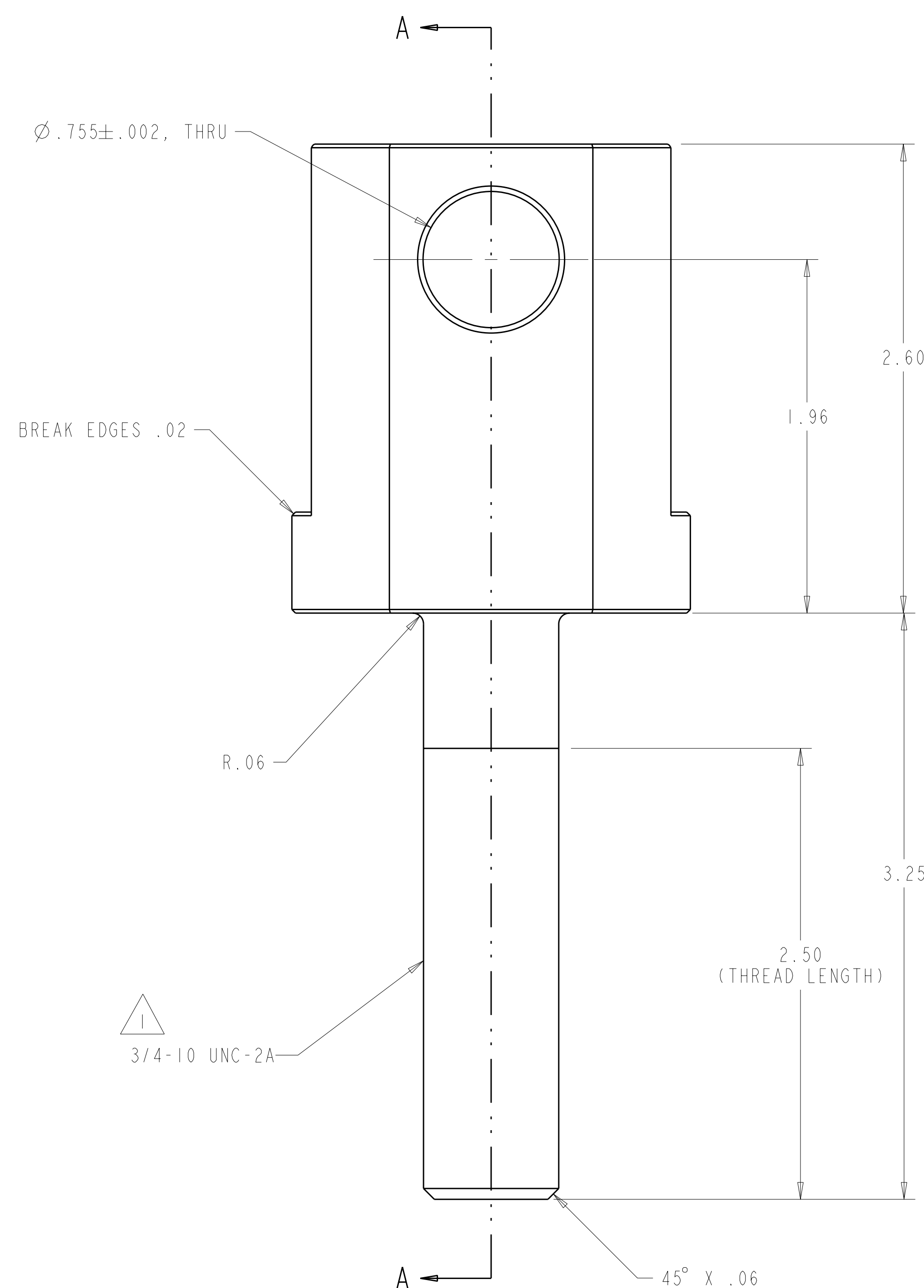


NOTES:

1. INTERPRET DIMENSIONS AND TOLERANCES PER ANSI Y14.5M
2. DIMENSIONS ARE IN INCHES
3. DIMENSIONS APPLY AT TEMPERATURE OF 20-30°C (68-86°F)
4. DRAWING DEPICTS FINAL MACHINED STATE OF PART DEFINED BY PRO/ENGINEER FILE SE124-055.PRT
5. APPROXIMATE WEIGHT= 1.79 lbs.



ISOMETRIC VIEW



SECTION A-A

SCALE: 2.00

AR	AR	CAGE CODE	PART OR IDENTIFYING NO	NOMENCLATURE OR DESCRIPTION	MATERIAL	SPECIFICATION	FIND NO
SE124-051	SE124-054			VERTICAL SUPPORT CLEVIS	INCONEL 718		
				NEXT ASSEMBLY	PARTS LIST		

RELEASED FOR FABRICATION / INSTALLATION

PPPL Drafting

NO REPRESENTATION OR WARRANTY, EXPRESSED OR IMPLIED, IS MADE AS TO THE ACCURACY, COMPLETENESS OR USEFULNESS OF THE INFORMATION OR STATEMENTS CONTAINED IN THESE DRAWINGS, OR THAT THE USE OR DISCLOSURE OF ANY INFORMATION, APPARATUS, METHOD OR PROCESS DISCLOSED IN THESE DRAWINGS MAY NOT INFRINGE PRIVATE RIGHTS OF OTHERS. NO LIABILITY IS ASSUMED WITH RESPECT TO THE USE OF, OR FOR DAMAGES RESULTING FROM THE USE OF, ANY INFORMATION, APPARATUS, METHOD OR PROCESS DISCLOSED IN THESE DRAWINGS. DRAWINGS MADE AVAILABLE FOR INFORMATION TO BIDDER ARE NOT TO BE USED FOR OTHER PURPOSES, AND ARE TO BE RETURNED UPON REQUEST OF THE FORWARDING CONTRACTOR.

P THIS DRAWING PRODUCED ON PRO-ENGINEER

REV	DESCRIPTION	BY	DATE	CHK	DEPT	DATE	PE	REQ	DATE	ORNL	DOE	DATE
0	ORIGINAL ISSUE	GHJ	03/05									
1	3/4-10UNC WAS 3/4-16UNC ECN# 5379	WDM	01/08									

SCALE NOTED		DES	DATE
TOLERANCES UNLESS OTHERWISE SPECIFIED		PAUL MILLER	08-17-04
FRACTIONS		PAUL MILLER	08-17-04
XX DECIMALS ±.01		CHK	J. M. RAY
XXX DECIMALS ±.005		DEPT	
ANGLES ±0°15'		SECT	
BREAK SHARP EDGES OR MAX		DEPT	
FINISH .125 UNLESS OTHERWISE SPECIFIED		PPPL DRFT	

UT-BATTELLE		Oak Ridge National Laboratory	
NATIONAL COMPACT STELLARATOR EXPERIMENT		managed for the DEPARTMENT OF ENERGY under U.S. GOVERNMENT contract DE-AC05-00OR22725 UT-BATTELLE, LLC, Oak Ridge, Tennessee	
VERTICAL SUPPORT CLEVIS DETAIL		VERSION NO.	0
PLANT	X-10	BLDG	5700
FL	3	SHT	1
OF	1	TYPE	U
CLASS	S	REV	1
RELEASE LEVEL		Fabrication	
SE124-055			