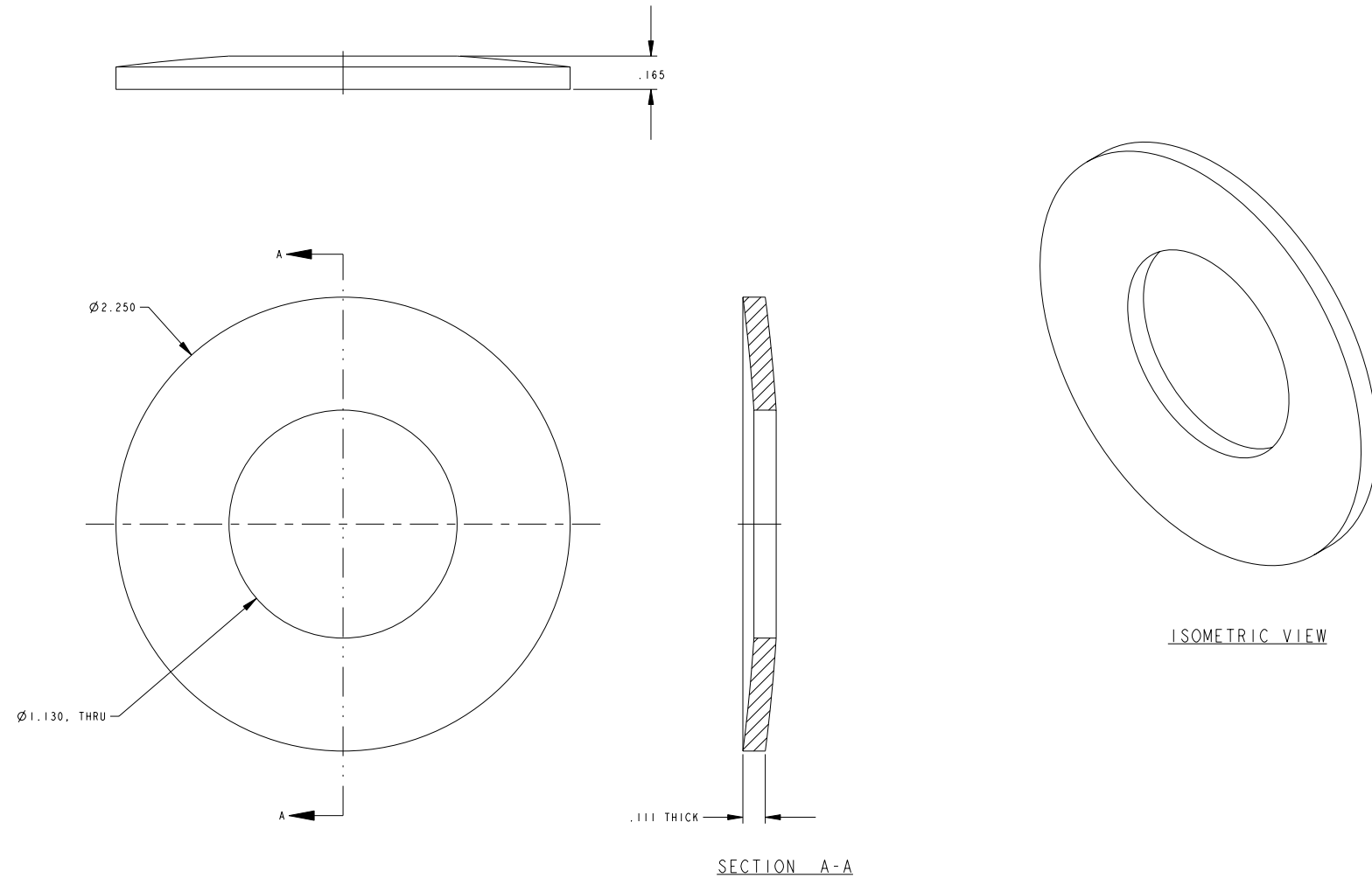


NOTES:

1. INTERPRET DIMENSIONS AND TOLERANCES PER ANSI Y14.5M
2. DIMENSIONS ARE IN INCHES
3. DIMENSIONS APPLY AT TEMPERATURE OF 20-30°C (68-86°F)
4. DRAWING DEPICTS FINAL MACHINED STATE OF PART DEFINED BY PRO/ENGINEER FILE SE124-056-2.PRT
5. APPROXIMATE WEIGHT= 0.097 LBS
6. APPROXIMATE FLAT LOAD= 2840 LBS
7. VENDOR ID#: KEY BELLEVILLE K-2250-L-111.
 KEY BELLEVILLES, INC.
 100 KEY LANE
 LEECHBURG, PA. 15656-9531



1 SCALE: 4:0

RELEASED FOR FABRICATION / INSTALLATION
 PPPL Drafting:

REV	DESCRIPTION	BY	DATE	CHK	DEPT	DATE	PE	REQ	DATE	ORNL	DOE	DATE
0	ORIGINAL ISSUE	GHJ	3/3/05									

AR	- 1	VERTICAL LOWER SUPPORT WASHER, BELLEVILLE	INCONEL 718	1
CAGE CODE	PART OR IDENTIFYING NO	NOMENCLATURE OR DESCRIPTION	MATERIAL	SPECIFICATION
SE124-054				

NO REPRESENTATION OR WARRANTY, EXPRESSED OR IMPLIED, IS MADE AS TO THE ACCURACY, COMPLETENESS OR USEFULNESS OF THE INFORMATION OR STATEMENTS CONTAINED IN THESE DRAWINGS, OR THAT THE USE OR DISCLOSURE OF ANY INFORMATION, APPARATUS, METHOD OR PROCESS DISCLOSED IN THESE DRAWINGS MAY NOT INFRINGE PRIVATE RIGHTS OF OTHERS. NO LIABILITY IS ASSUMED WITH RESPECT TO THE USE OF, OR FOR DAMAGES RESULTING FROM THE USE OF, ANY INFORMATION, APPARATUS, METHOD OR PROCESS DISCLOSED IN THESE DRAWINGS. DRAWINGS MADE AVAILABLE FOR INFORMATION TO BIDDER ARE NOT TO BE USED FOR OTHER PURPOSES, AND ARE TO BE RETURNED UPON REQUEST OF THE FORWARDING CONTRACTOR.

P THIS DRAWING PRODUCED ON PRO-ENGINEER

SCALE NOTED	DES PAUL MILLER 08-17-04	DRW PAUL MILLER 08-17-04	UT-BATTELLE	Oak Ridge National Laboratory managed for the DEPARTMENT OF ENERGY under U.S. GOVERNMENT CONTRACT DE-AC05-00OR22725 UT-BATTELLE, LLC, Oak Ridge, Tennessee PROJECT NAME
TOLERANCES UNLESS OTHERWISE SPECIFIED	CHW J.M. RAY 04-07-05			
FRACTIONS	DEPT :			
XX DECIMALS ±.01	PE :			
XXX DECIMALS ±.005	CR :			
ANGLES ±0°15'	PJ :			
BREAK SHARP EDGES .04 MAX	REG :			
FINISH UNLESS OTHERWISE SPECIFIED	PPPL DRFT :			
	DRAWING APPROVALS	DATE		

VERSION NO.	PLANT	BLDG	FL	SHT	OF	TYPE	CLASS
9	X-10	5700	3	1	1	S	U
RELEASE LEVEL	Fabrication		SE124-056				
REV							0