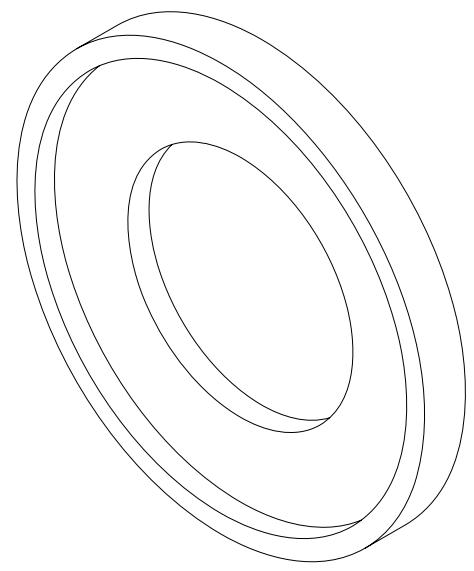
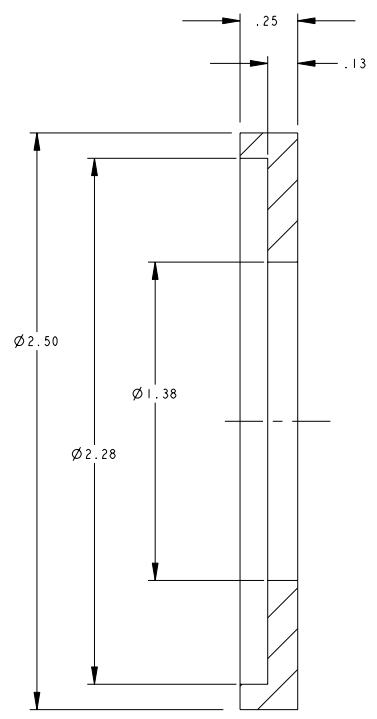
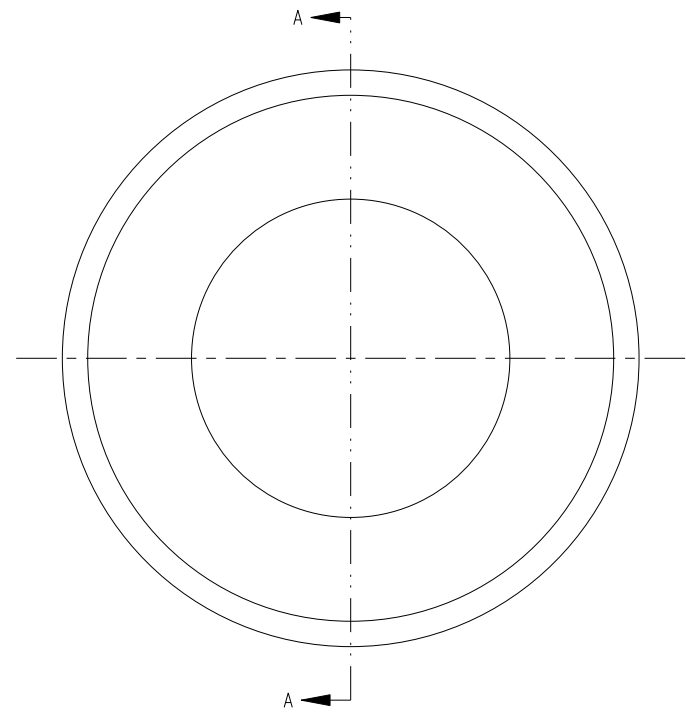
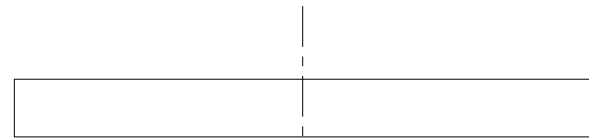


NOTES:

1. INTERPRET DIMENSIONS AND TOLERANCES PER ANSI Y14.5M
2. DIMENSIONS ARE IN INCHES
3. DIMENSIONS APPLY AT TEMPERATURE OF 20-30°C (68-86°F)
4. DRAWING DEPICTS FINAL MACHINED STATE OF PART DEFINED BY PRO/ENGINEER FILE SE124-069.PRT
5. APPROXIMATE WEIGHT= 0.04 lbs.



ISOMETRIC VIEW

SECTION A-A

SCALE 4:0

RELEASED FOR FABRICATION / INSTALLATION
 PPPL Drafting:

REV	DESCRIPTION	BY	DATE	CHK	DEPT	DATE	PE	REQ	DATE	ORNL	DOE	DATE
0	ORIGINAL ISSUE	GHJ	3/3/05									

AR	-1	VERTICAL UPPER SUPPRT INSULATING WASHER	G-11CR	I	
CAGE CODE	PART OR IDENTIFYING NO	NOMENCLATURE OR DESCRIPTION	MATERIAL	SPECIFICATION	FIND NO
SE124-051	NEXT ASSEMBLY	PARTS LIST			

NO REPRESENTATION OR WARRANTY, EXPRESSED OR IMPLIED, IS MADE AS TO THE ACCURACY, COMPLETENESS OR USEFULNESS OF THE INFORMATION OR STATEMENTS CONTAINED IN THESE DRAWINGS, OR THAT THE USE OR DISCLOSURE OF ANY INFORMATION, APPARATUS, METHOD OR PROCESS DISCLOSED IN THESE DRAWINGS MAY NOT INFRINGE PRIVATE RIGHTS OF OTHERS. NO LIABILITY IS ASSUMED WITH RESPECT TO THE USE OF, OR FOR DAMAGES RESULTING FROM THE USE OF, ANY INFORMATION, APPARATUS, METHOD OR PROCESS DISCLOSED IN THESE DRAWINGS. DRAWINGS MADE AVAILABLE FOR INFORMATION TO BIDDER ARE NOT TO BE USED FOR OTHER PURPOSES, AND ARE TO BE RETURNED UPON REQUEST OF THE FORWARDING CONTRACTOR.

P THIS DRAWING PRODUCED ON PRO-ENGINEER

SCALE NOTED	DES PAUL MILLER	08-17-04
TOLERANCES UNLESS OTHERWISE SPECIFIED	DRW PAUL MILLER	08-17-04
FRACTIONS	CHK J. M. RAY	04-07-05
XX DECIMALS ±.01	DEPT :	
XXX DECIMALS ±.005	PE :	
ANGLES ±0'15"	CR :	
BREAK SHARP EDGES .04 MAX	PJ :	
FINISH UNLESS OTHERWISE SPECIFIED	REG :	
	PPPL DRFT :	
	DRAWING APPROVALS	DATE

Oak Ridge National Laboratory managed for the DEPARTMENT OF ENERGY under U.S. GOVERNMENT CONTRACT DE-AC05-00OR22725 OR-BATTELLE, LLC, Oak Ridge, Tennessee					
NATIONAL COMPACT STELLARATOR EXPERIMENT					
VERTICAL UPPER SUPPORT INSULATING WASHER DETAIL					
VERSION NO.	PLANT	BLDG	FL	SMT	TYPE CLASS
7	X-10	5700	3	I	I S U
RELEASE LEVEL		SE124-069		REV	
Fabrication				0	