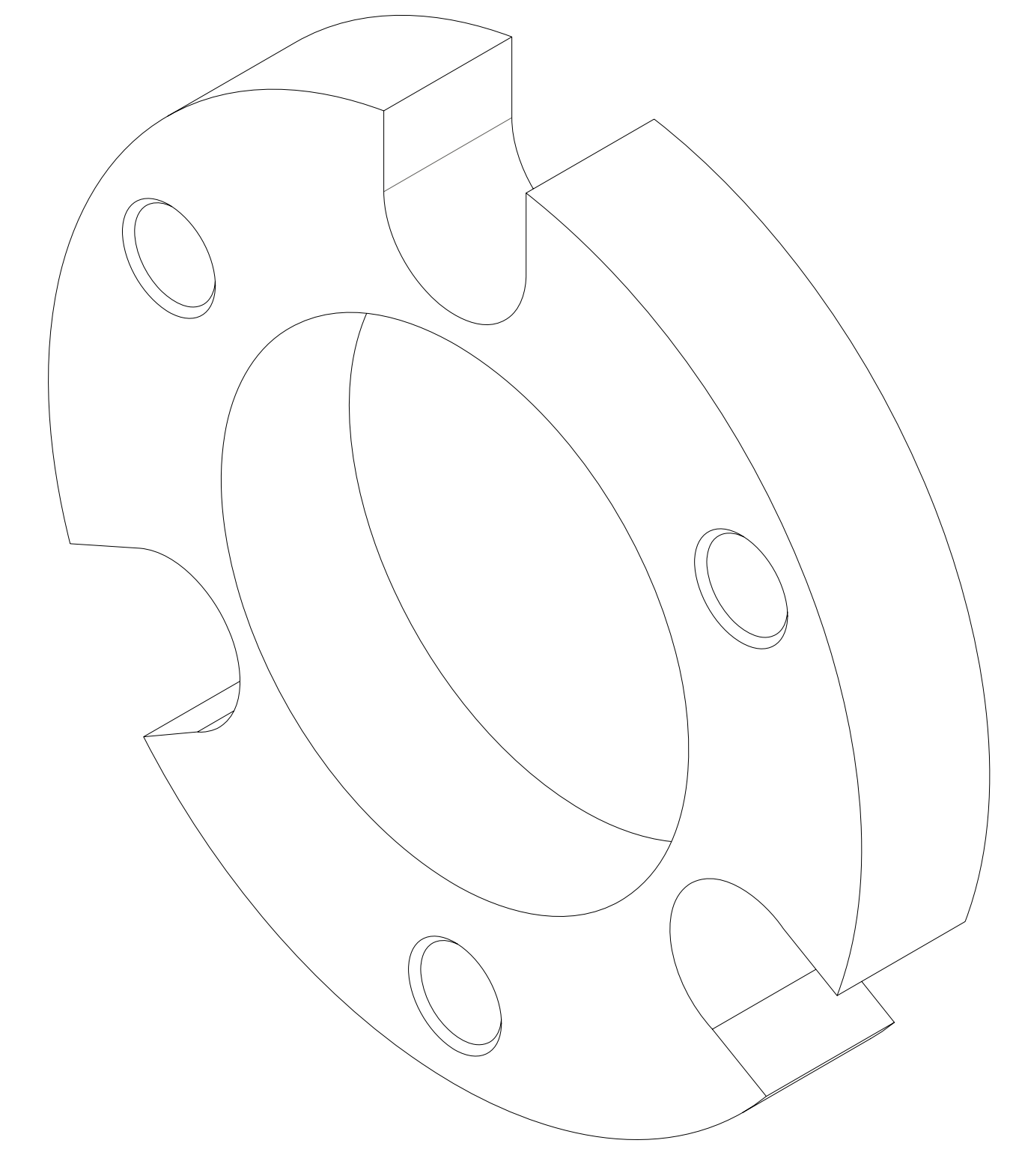
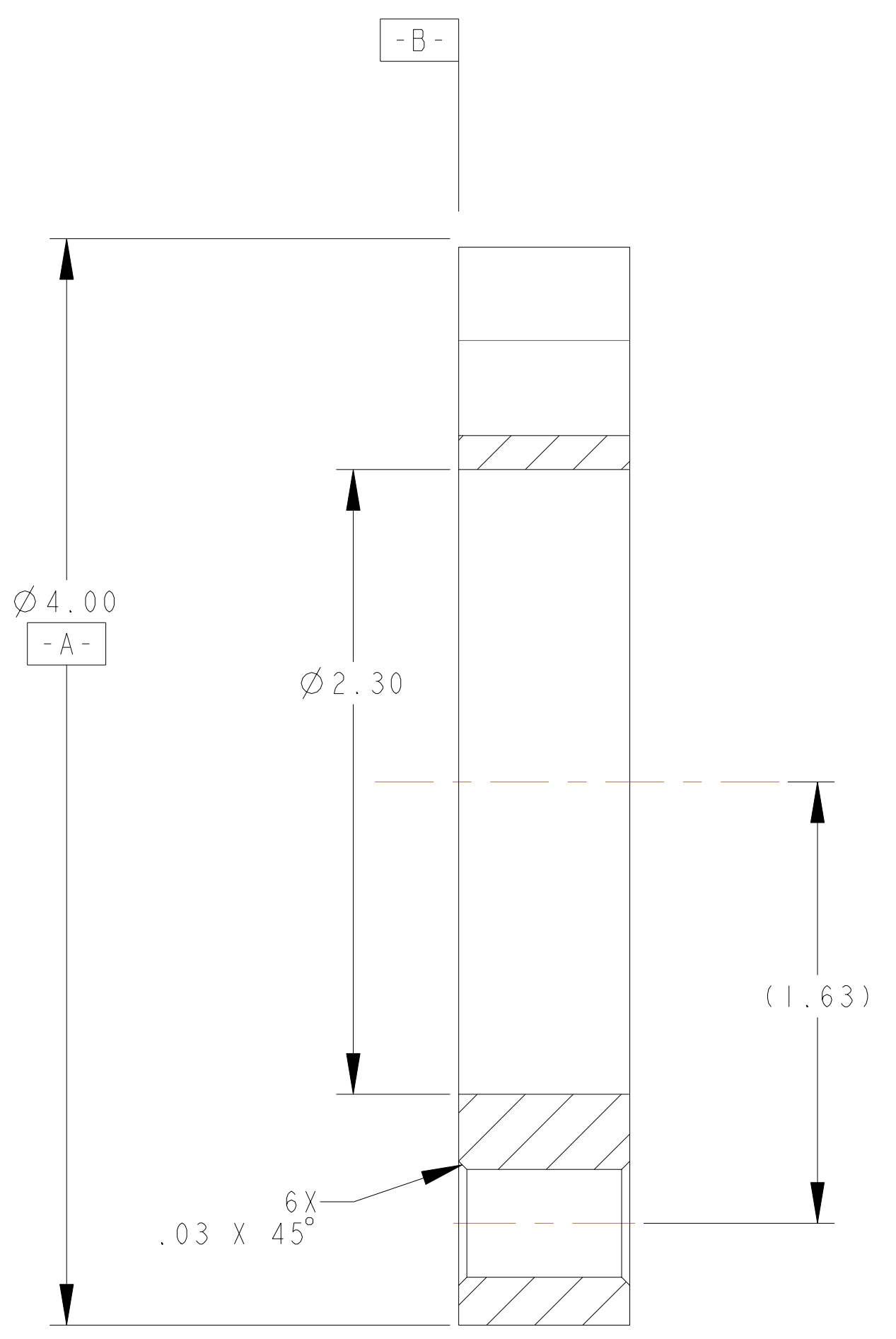
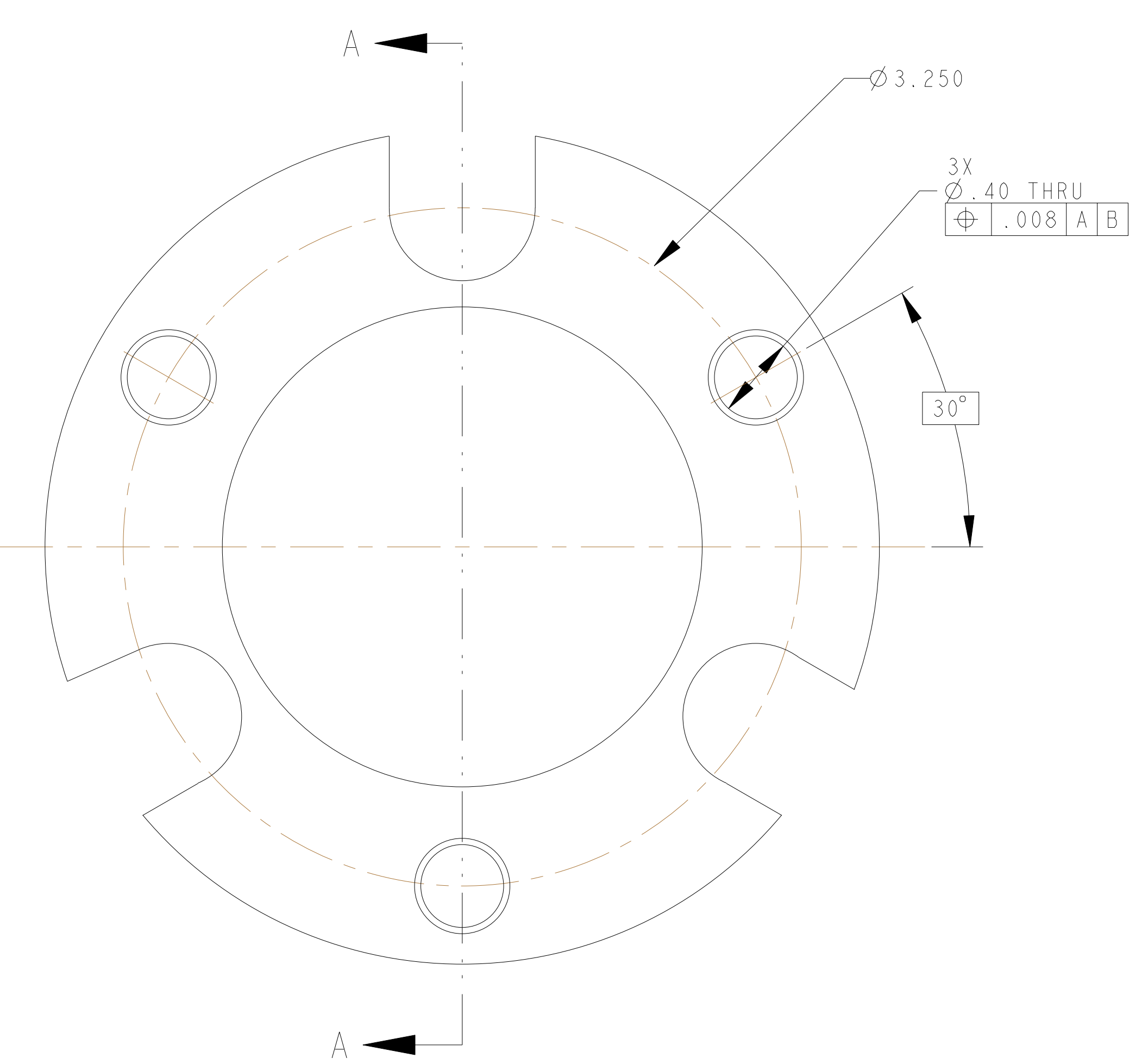
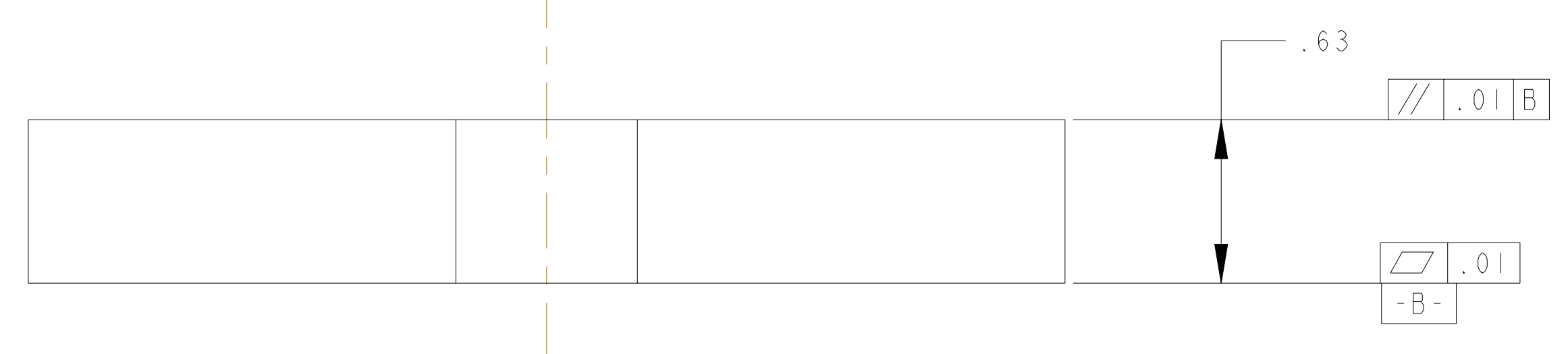


- NOTES:
1. INTERPRET DIMENSIONS AND TOLERANCES PER ANSI Y14.5M
 2. DIMENSIONS ARE IN INCHES
 3. DIMENSIONS APPLY AT TEMPERATURE OF 20-30°C (68-86°F)
 4. DRAWING DEPICTS FINAL MACHINED STATE OF PART DEFINED BY PRO/ENGINEER FILE SE124-076.PRT
 5. APPROXIMATE WEIGHT= 2.26 lbs.



ISOMETRIC VIEW



SECTION A-A

SCALE: 2.00

AR	CAGE CODE	PART OR IDENTIFYING NO	NOMENCLATURE OR DESCRIPTION	MATERIAL	SPECIFICATION	FIND NO
SE124-051	-1	VERTICAL SPACER	NEMA GRADE GIOCR			

← NEXT ASSEMBLY

RELEASED FOR FABRICATION/INSTALLATION
 PPPL Drafting:

NO REPRESENTATION OR WARRANTY, EXPRESSED OR IMPLIED, IS MADE AS TO THE ACCURACY, COMPLETENESS OR USEFULNESS OF THE INFORMATION OR STATEMENTS CONTAINED IN THESE DRAWINGS, OR THAT THE USE OR DISCLOSURE OF ANY INFORMATION, APPARATUS, METHOD OR PROCESS DISCLOSED IN THESE DRAWINGS MAY NOT INFRINGE PRIVATE RIGHTS OF OTHERS. NO LIABILITY IS ASSUMED WITH RESPECT TO THE USE OF, OR FOR DAMAGES RESULTING FROM THE USE OF, ANY INFORMATION, APPARATUS, METHOD OR PROCESS DISCLOSED IN THESE DRAWINGS. DRAWINGS MADE AVAILABLE FOR INFORMATION TO BIDDER ARE NOT TO BE USED FOR OTHER PURPOSES, AND ARE TO BE RETURNED UPON REQUEST OF THE FORWARDING CONTRACTOR.

P THIS DRAWING PRODUCED ON PRO-ENGINEER

REV	DESCRIPTION	BY	DATE	CHK	DEPT	DATE	PE	REQ	DATE	ORNL	DOE	DATE
0	ORIGINAL ISSUE	G11	3/3/05									
	REVISION OR ISSUE PURPOSE											

SCALE NOTED	DES: PAUL GORANSON 09/07	DRW: GARY LOVETT 09/07	CHK: R MOON 09/07	SECT: :	DEPT: :	PE: :	CR: :	PJ: :	REQ: :	PPPL DRFT J SIEGLE 09/07	VERSION NO. 9	PLANT X-10	BLDG 5700	FL 3	SHT 1	OF 1	TYPE S	CLASS U
FRACTIONS ±.01																		
XX DECIMALS ±.01																		
XXX DECIMALS ±.005																		
ANGLES ±0°15'																		
BREAK SHARP EDGES .06 MAX																		
FINISH .125 UNLESS OTHERWISE SPECIFIED																		
											RELEASE LEVEL Fabrication		SE124-076		REV 0			

H
G
F
E
D
C
B
A

SE124-076