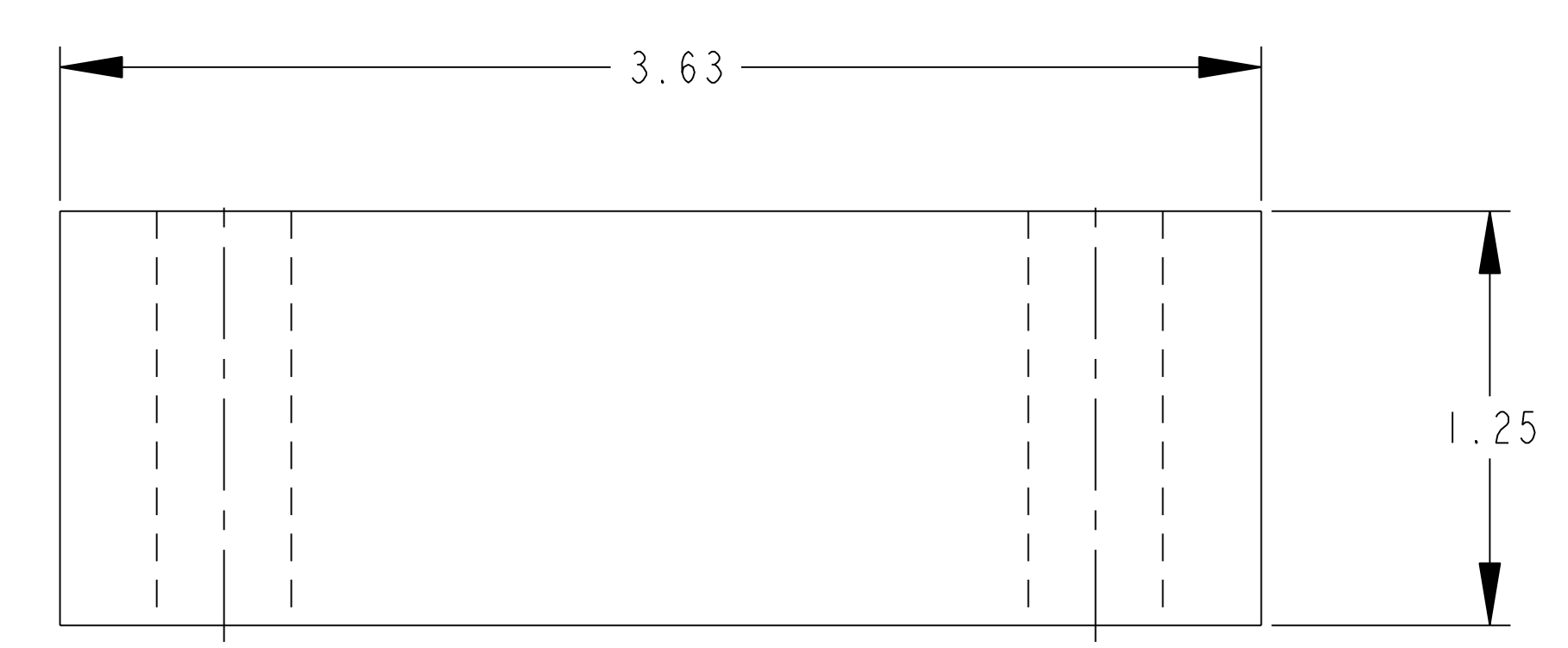
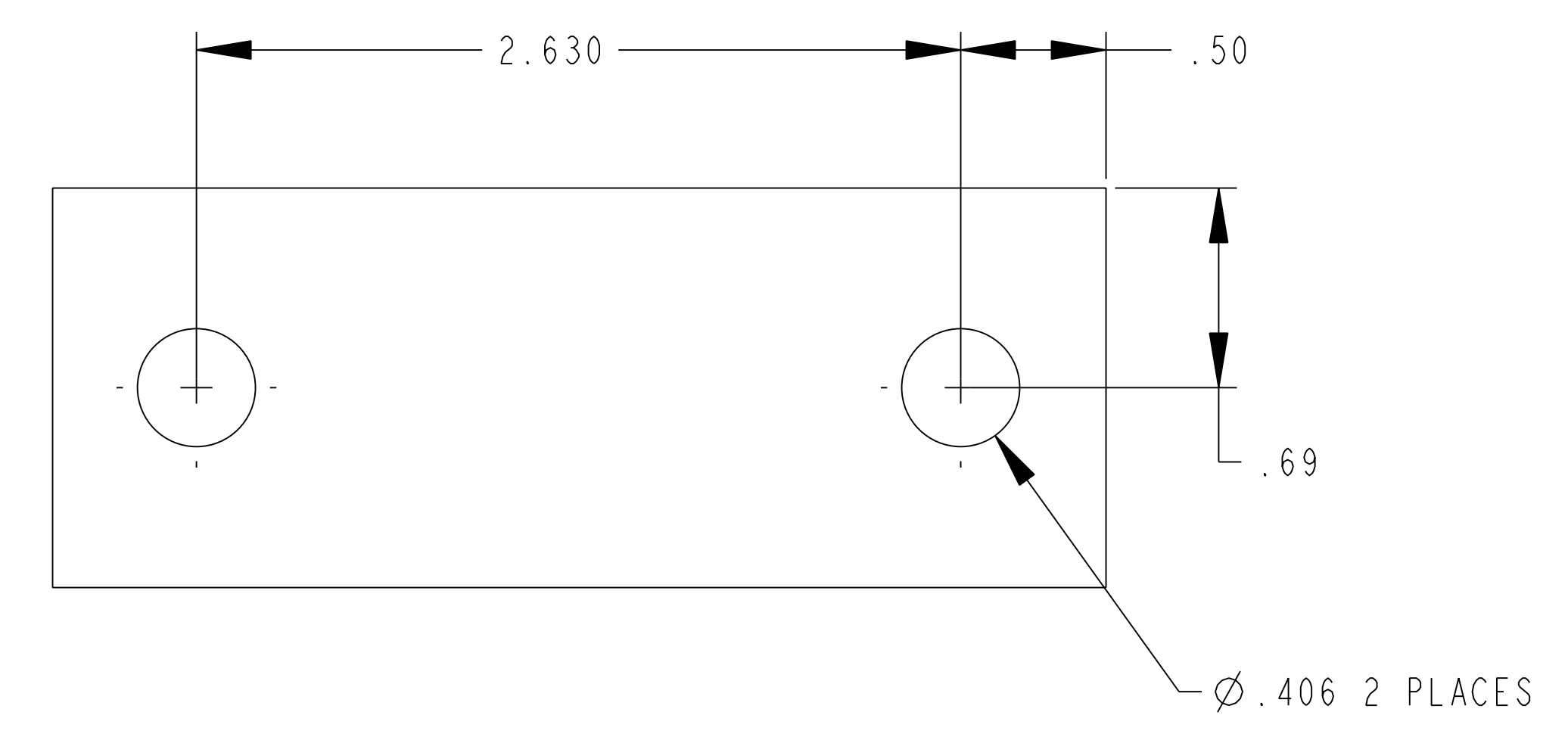
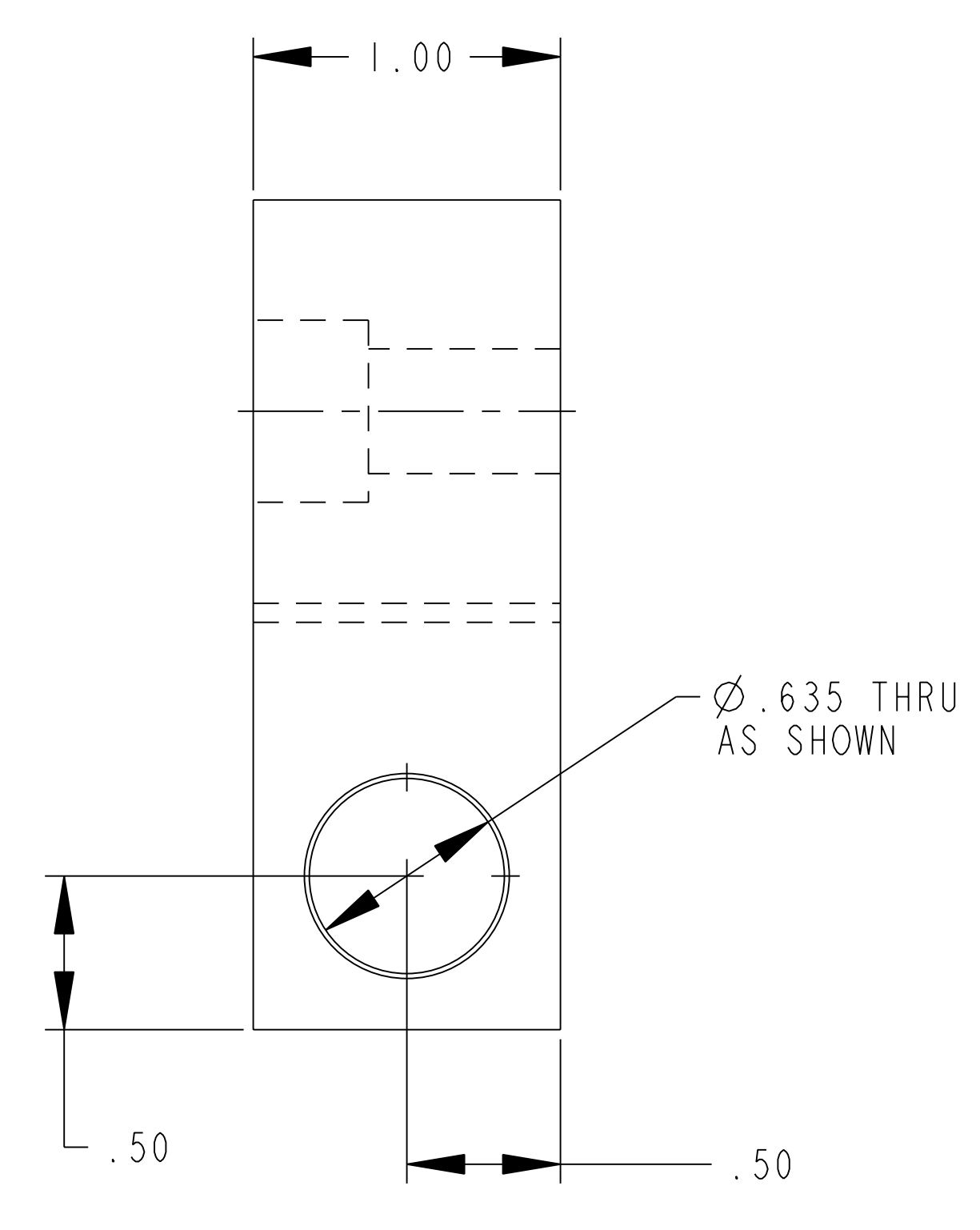
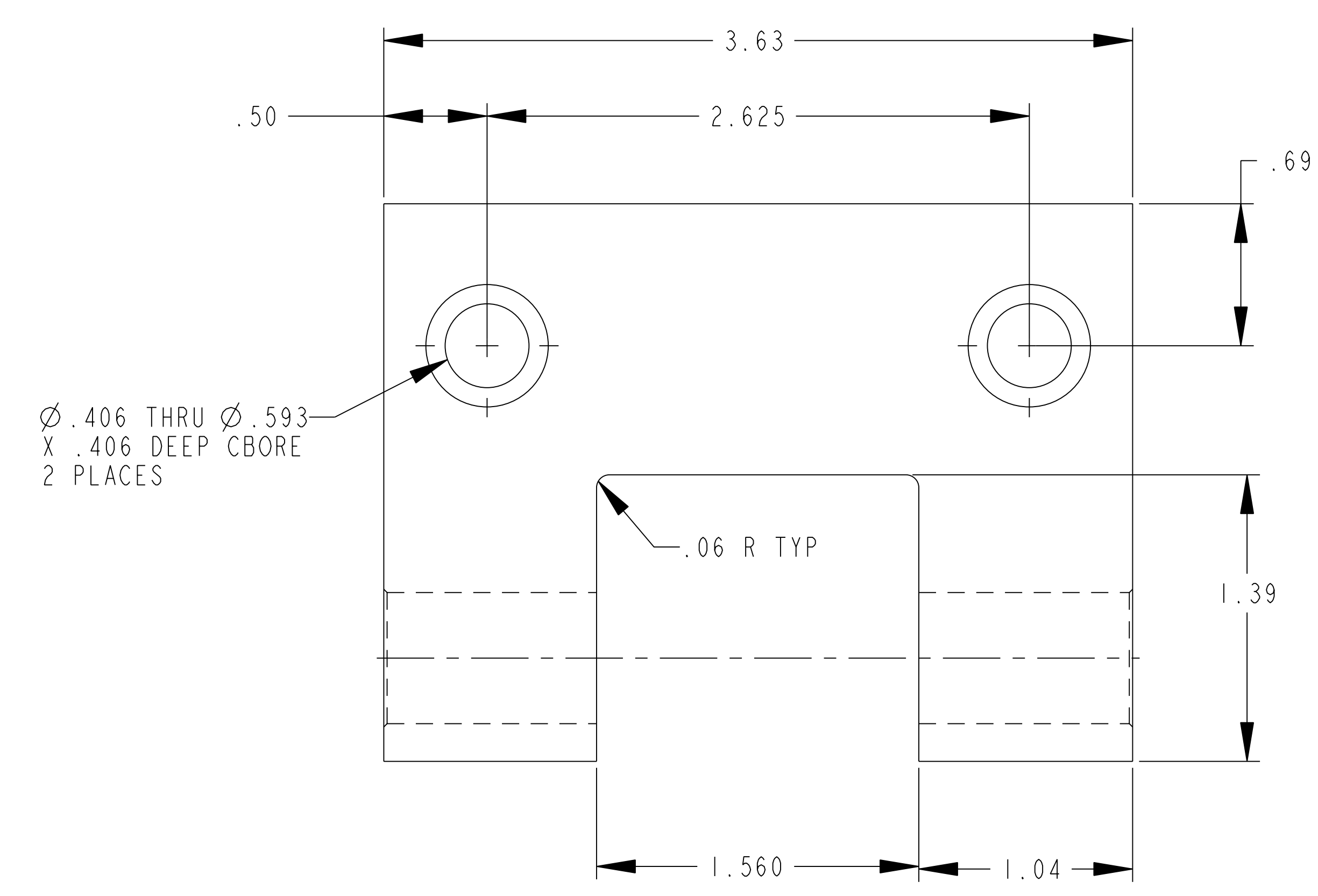
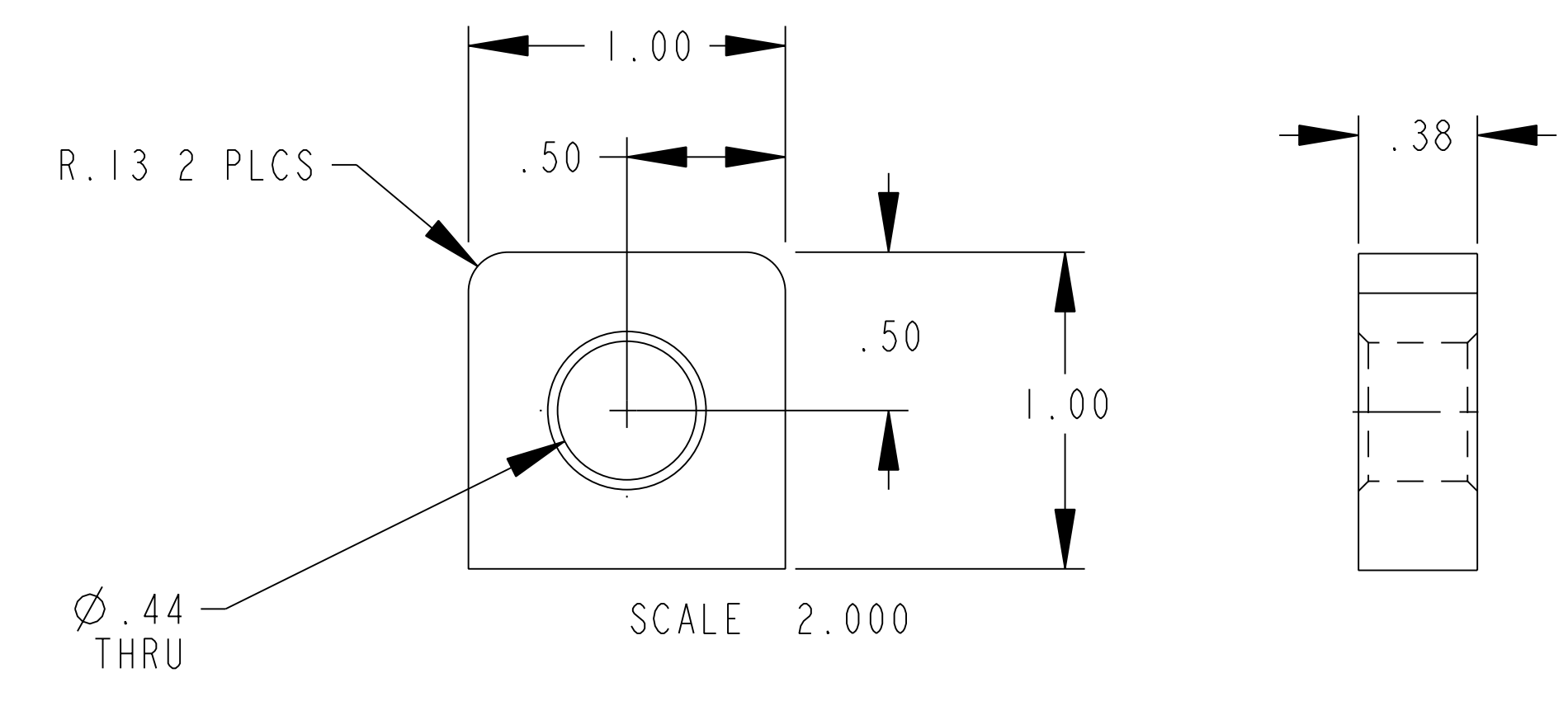
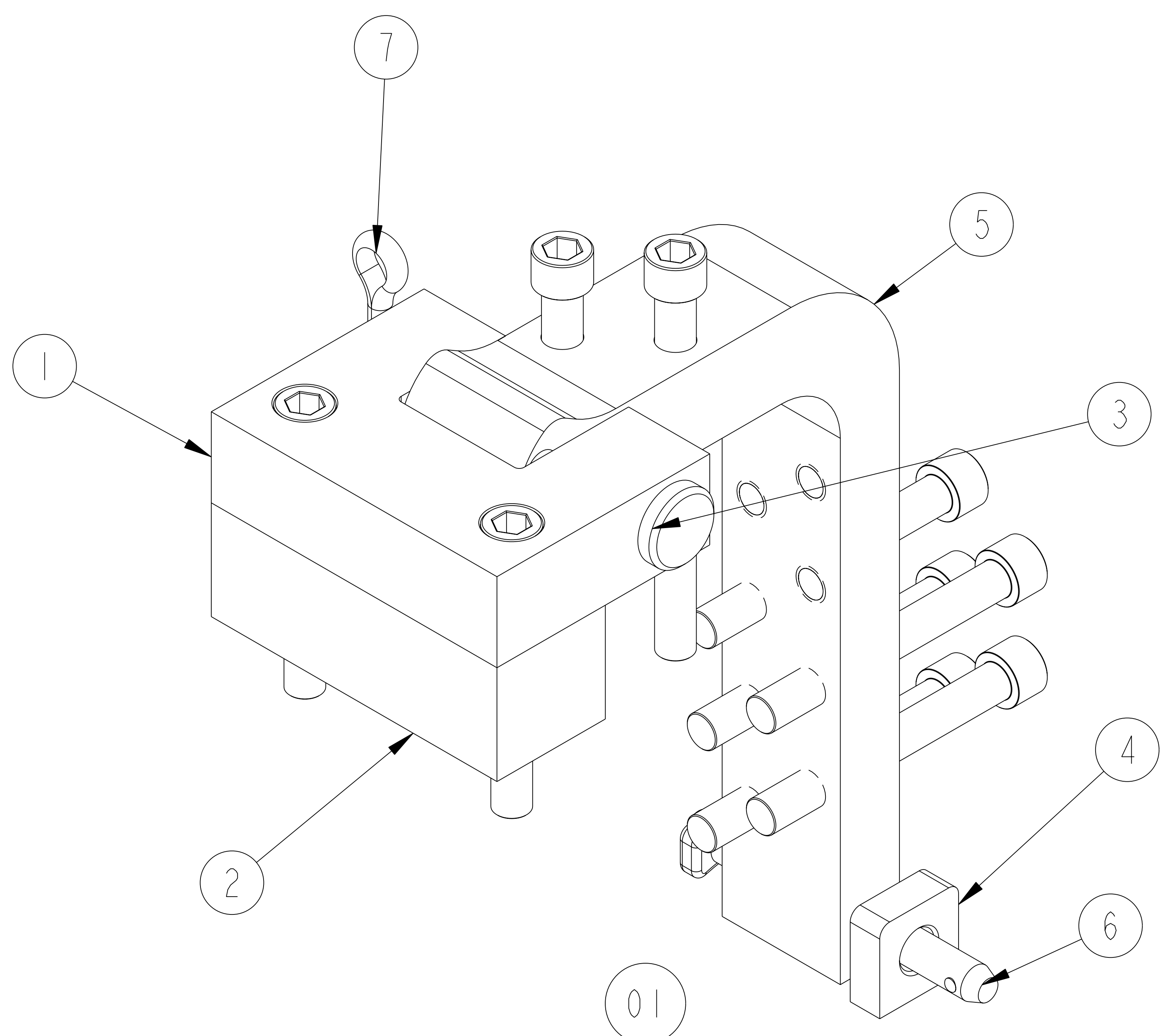


| NO. | REVISION | BY | CH | SUP | APPROVED | DATE |
|-----|----------|----|----|-----|----------|------|
| | | | | | | |



1

2



4

RELEASED FOR FABRICATION / INSTALLATION
PPPL Drafting:

| ASSY QTY | PART NO. | DRAWING NO | NOMENCLATURE OR DESCRIPTION | MATERIAL |
|----------|----------|--------------|-----------------------------|----------|
| 37 | 7 | 1/16 Ø | COTTER PIN | COM |
| 37 | 6 | SE1405-005-6 | BALL DETENT | COM |
| 37 | 5 | SE1405-005-1 | CLAMP ARM | CS |
| 37 | 4 | SE1312-051-4 | CLAMP RETAINER | CS |
| 37 | 3 | 97245A468 | MCMASTER-CARR CLEVIS PIN | CS |
| 37 | 2 | SE1312-051-2 | CLAMP SPACER | CS |
| 37 | 1 | SE1312-051-1 | CLAMP PIVOT | CS |
| 37 | ---- | THIS DWG | HALF CLAMP ASSEMBLY | ---- |

| ASSY QTY | PARTS LIST |
|----------|------------|
| | |

| | |
|-------------------|---------------------------------|
| WEIGHT 0.0 lbs | MODEL NAME ATF_CLAMP_LOCATOR |
|-------------------|---------------------------------|

RELEASE LEVEL: Fabrication
DWG VERSION NO: 1

COMPUTER GENERATED DRAWING
MANUAL CHANGES NOT PERMITTED
Pr o E
DO NOT VERIFY INFORMATION BY SCALING DRAWING

CENTRAL FILES:
UNLESS OTHERWISE SPECIFIED
DIMENSIONS ARE IN INCHES
MACHINE SURFACES
BREAK SHARP EDGES .005/.020

TOLERANCES NON-CUMULATIVE
DECIMAL-INCH FRACTIONS
.XX ±.005
.XXX ±.005
ANGULAR ±.0°/15°

DSN: G. STEILL 07/12/05
CHK: M. KALISH 07/12/05
ENGR: J. CHRZANOWSKI 07/12/05
SUPV: J. SIEGEL 07/12/05

PRINCETON PLASMA PHYSICS LABORATORY
NATIONAL COMPACT STELLARATOR EXPERIMENT
TF COIL WINDING
HALF CLAMP ASSEMBLY
CLAMPING DETAILS

DRAWING NO:
SE1312-051
SHEET 1 OF 1

NCSX-SE1312-051

NCSX-ASSY-FORMAT.E