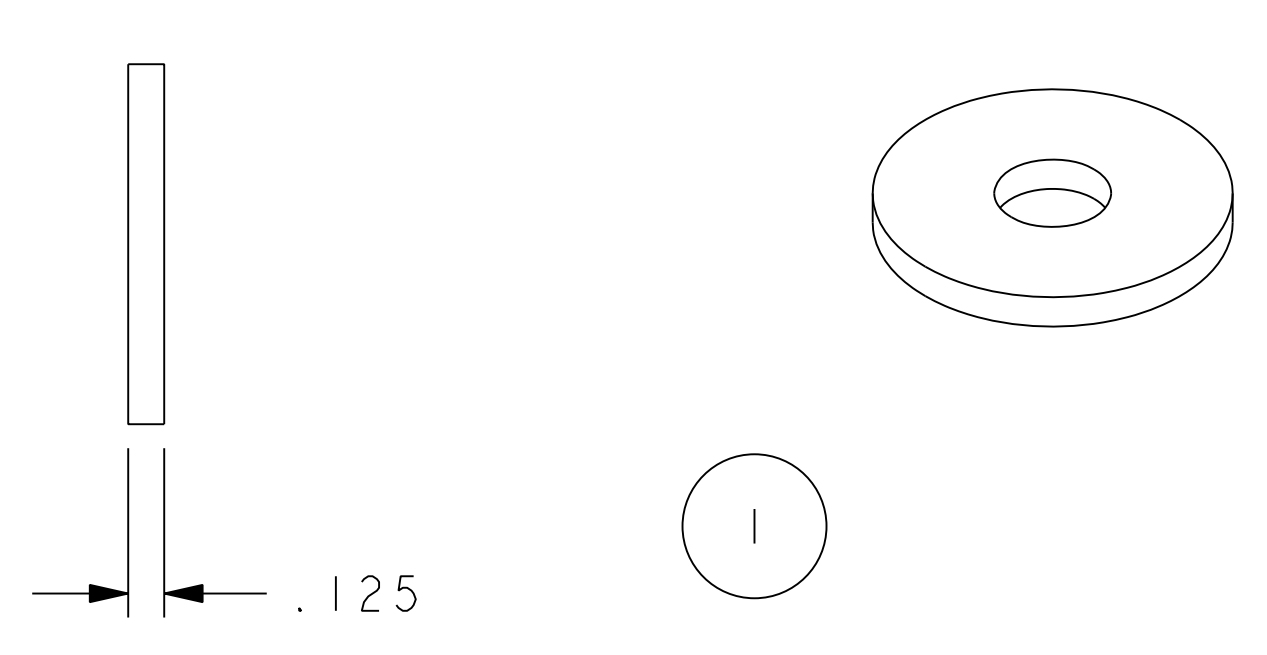
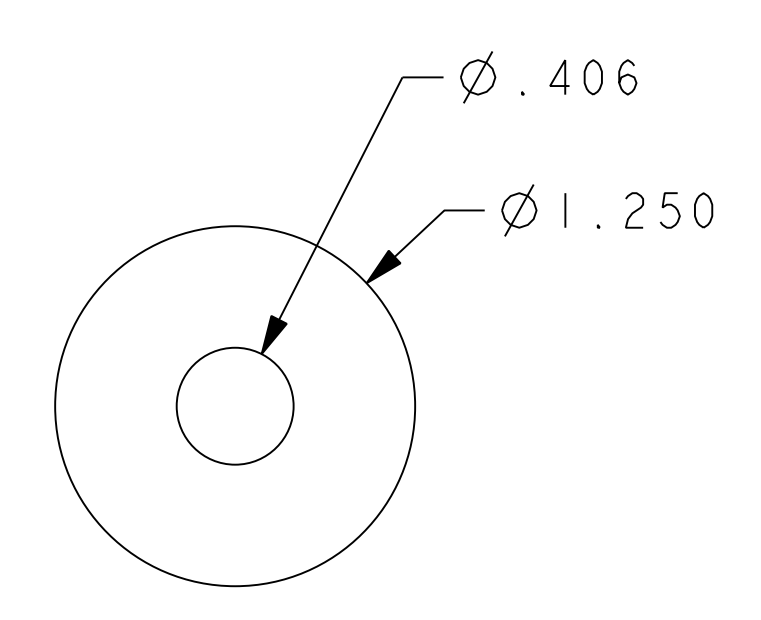
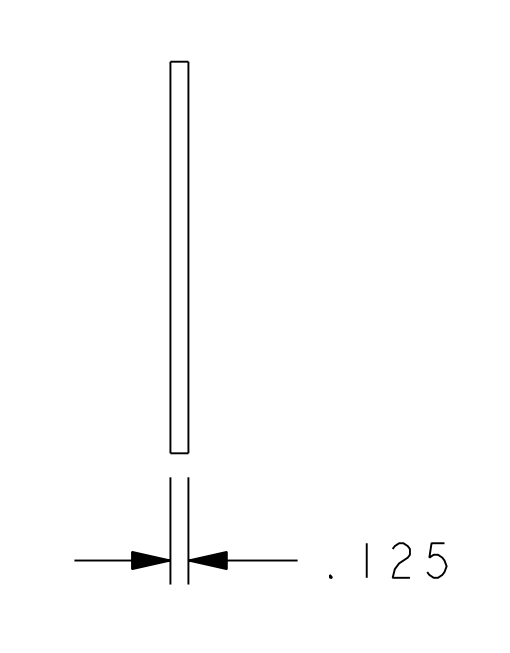
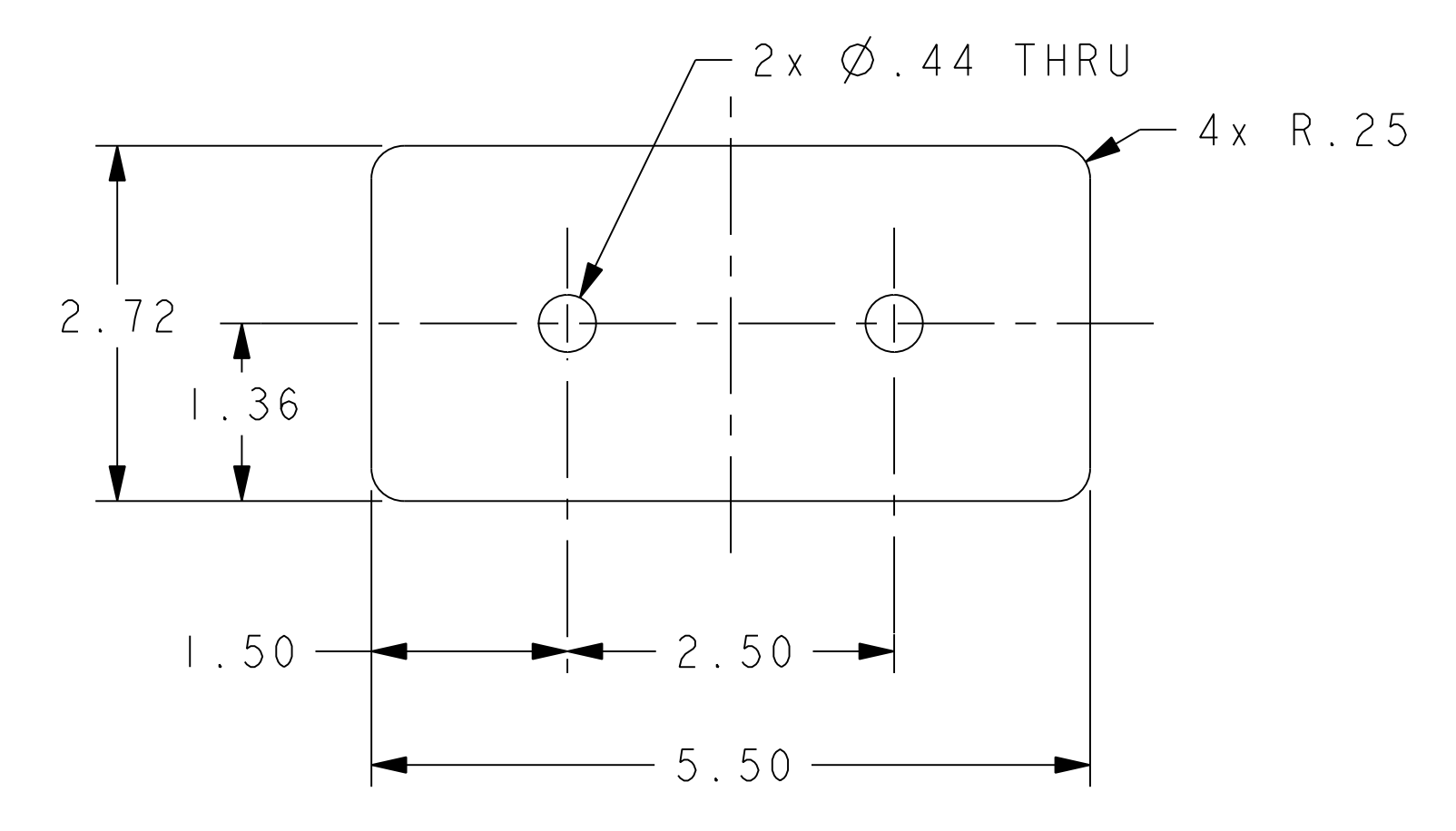


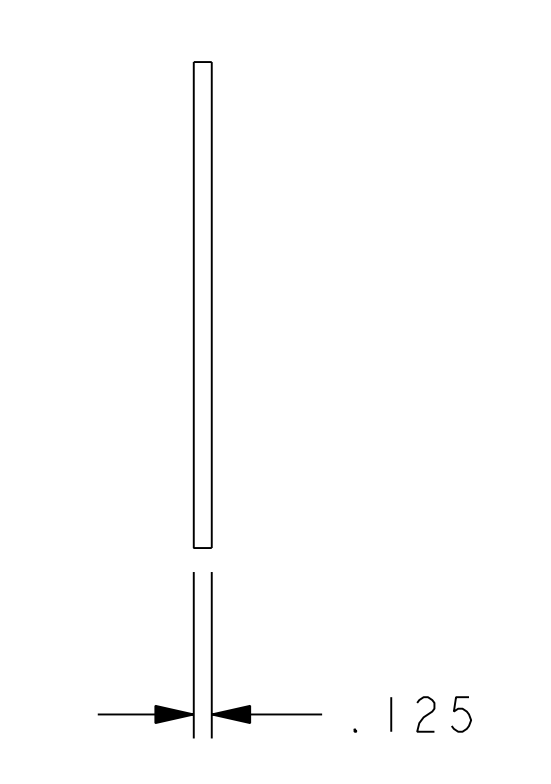
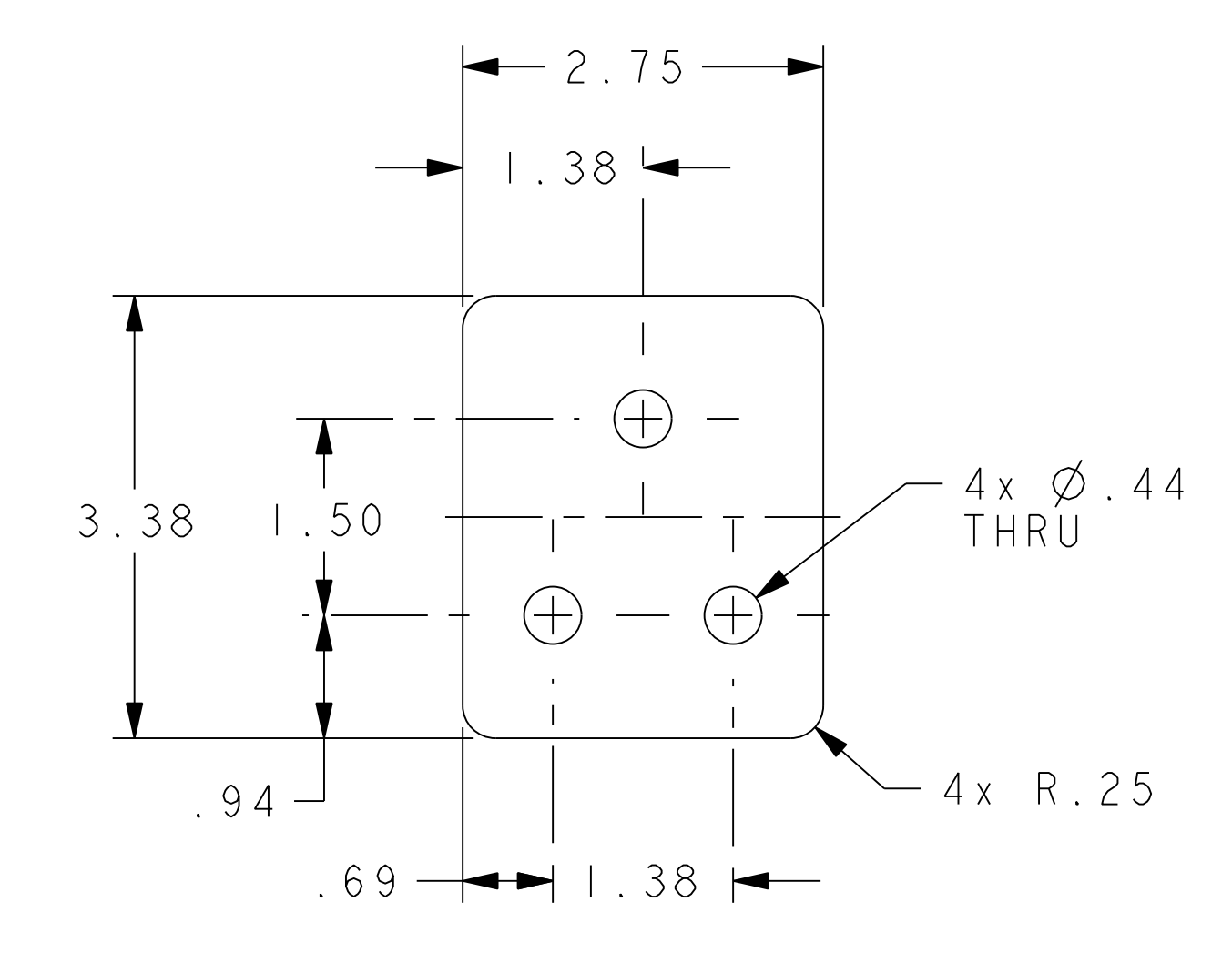
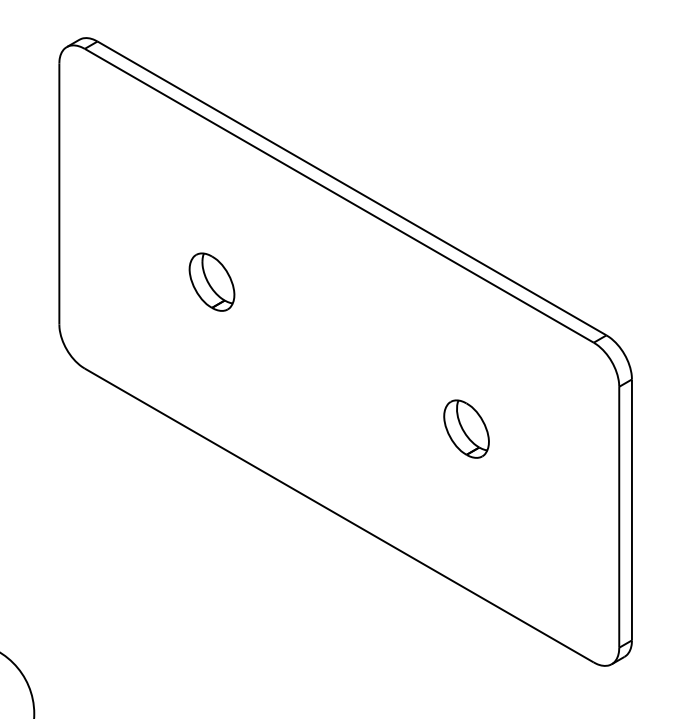
NO.	REVISION	BY	CH	SUP	APPROVED	DATE



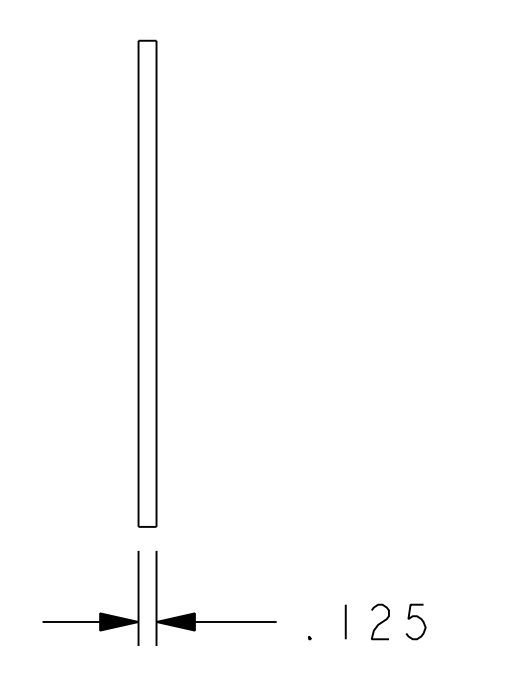
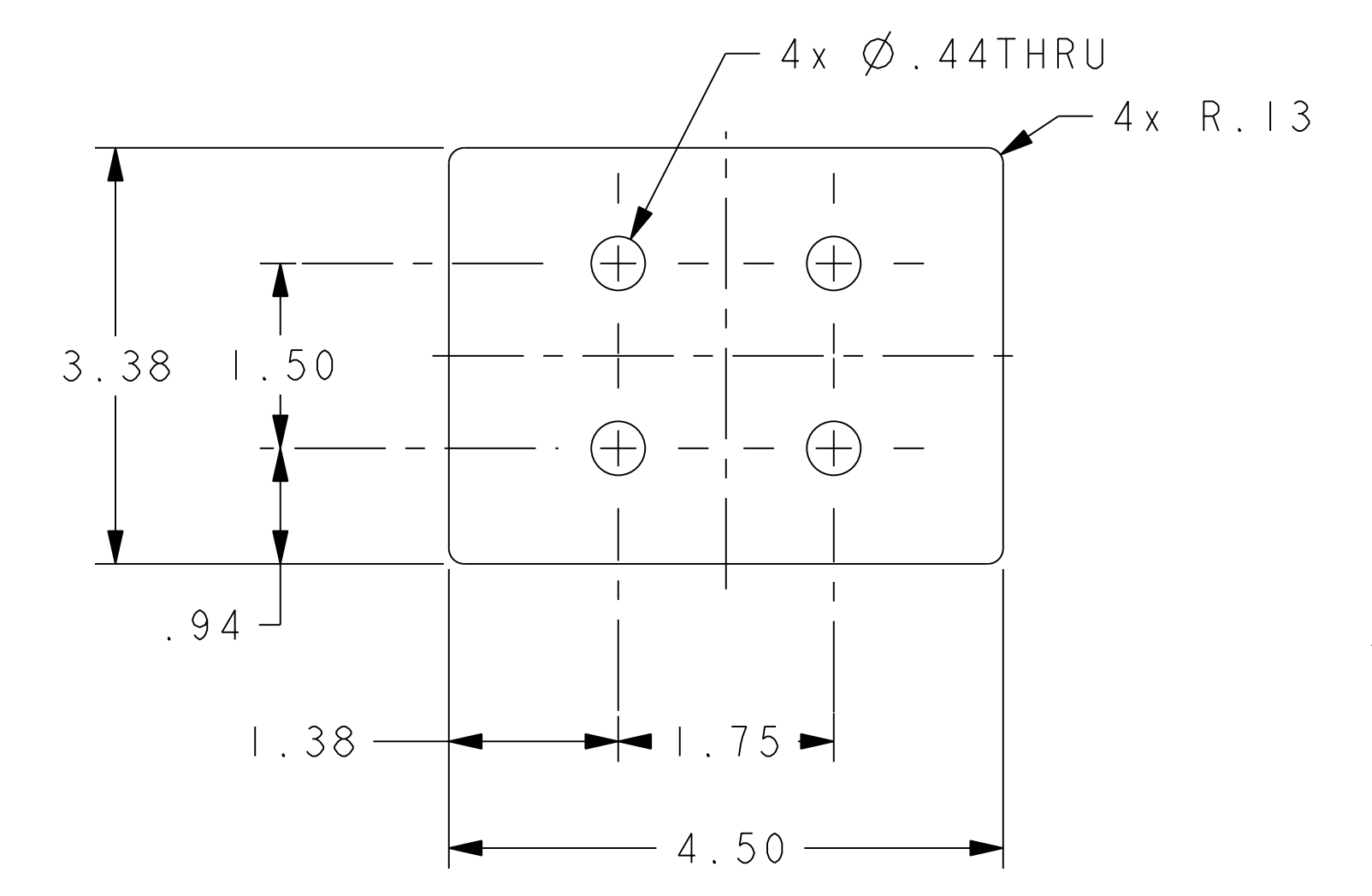
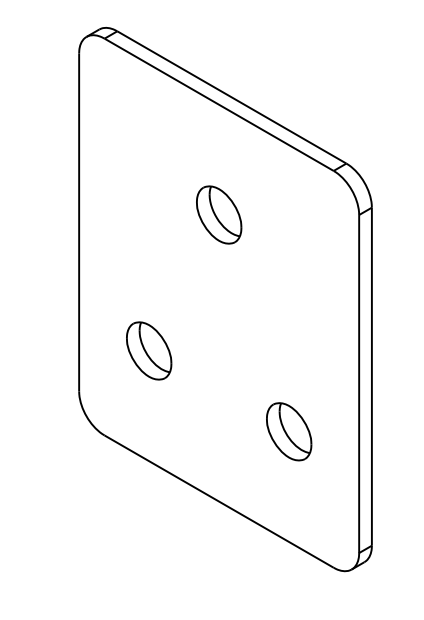
1



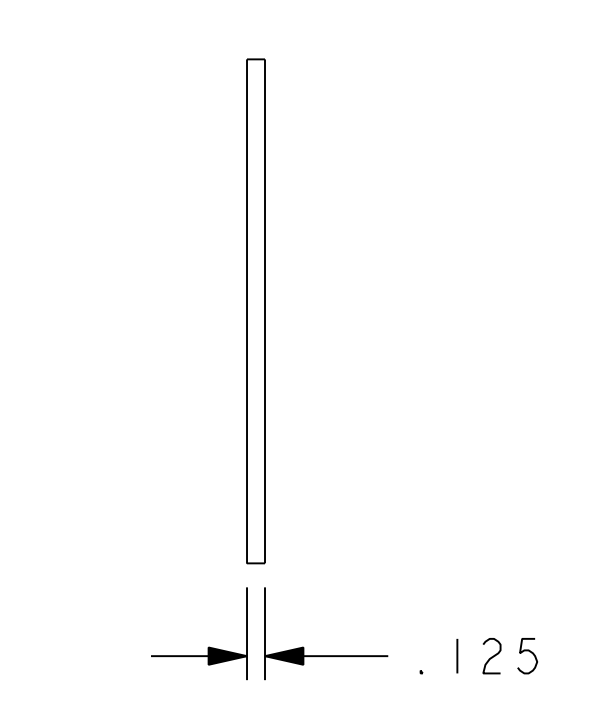
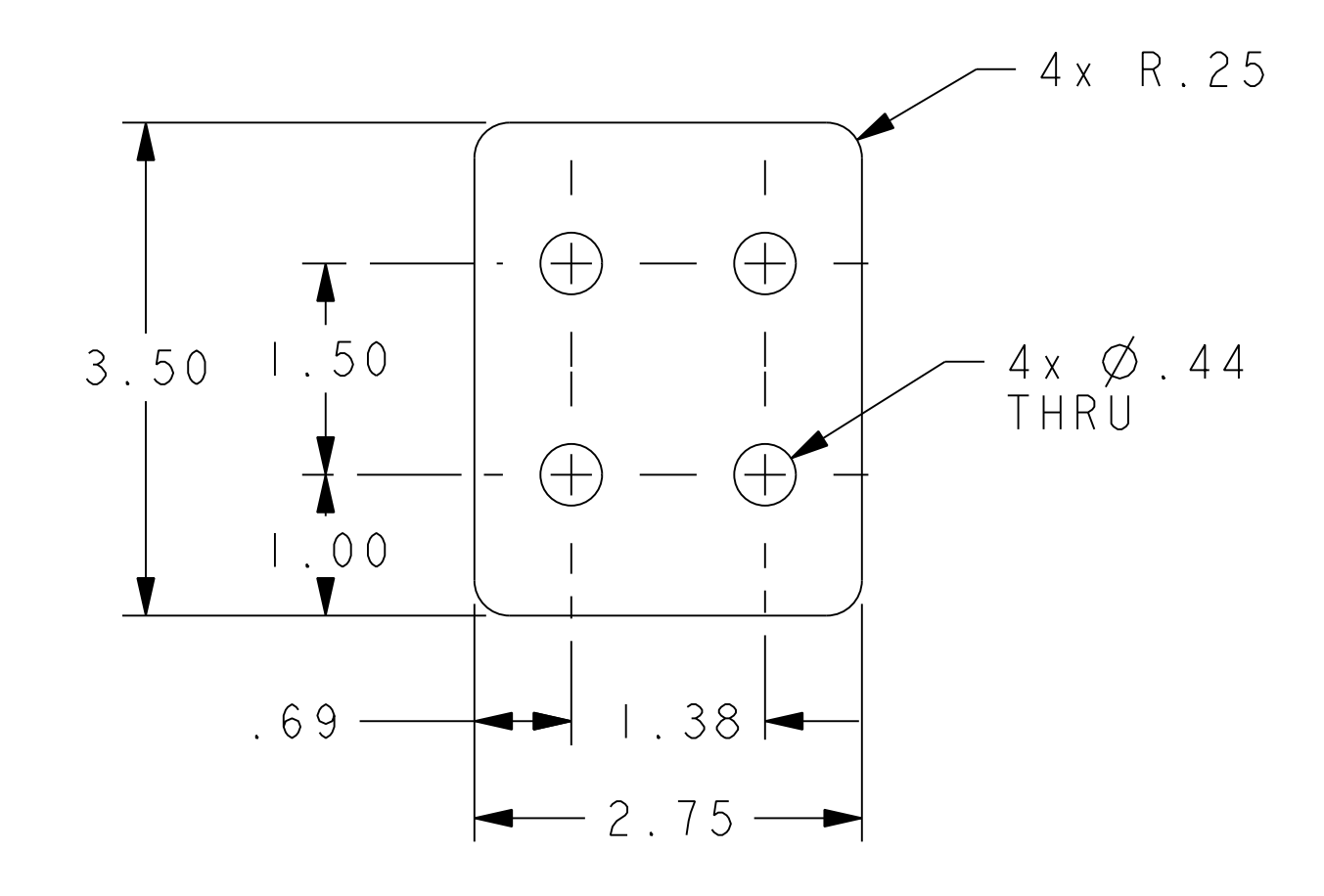
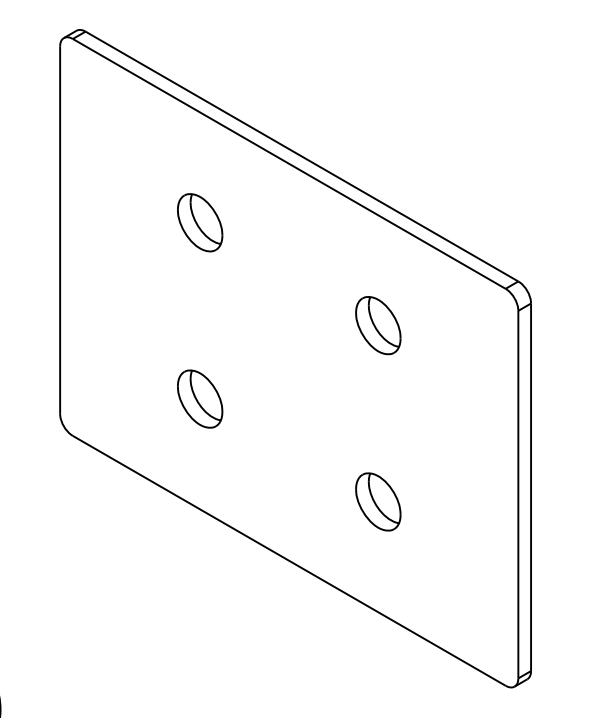
2



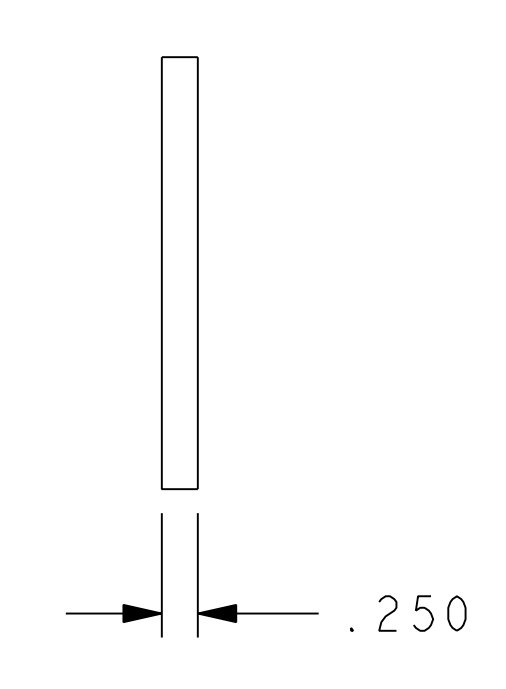
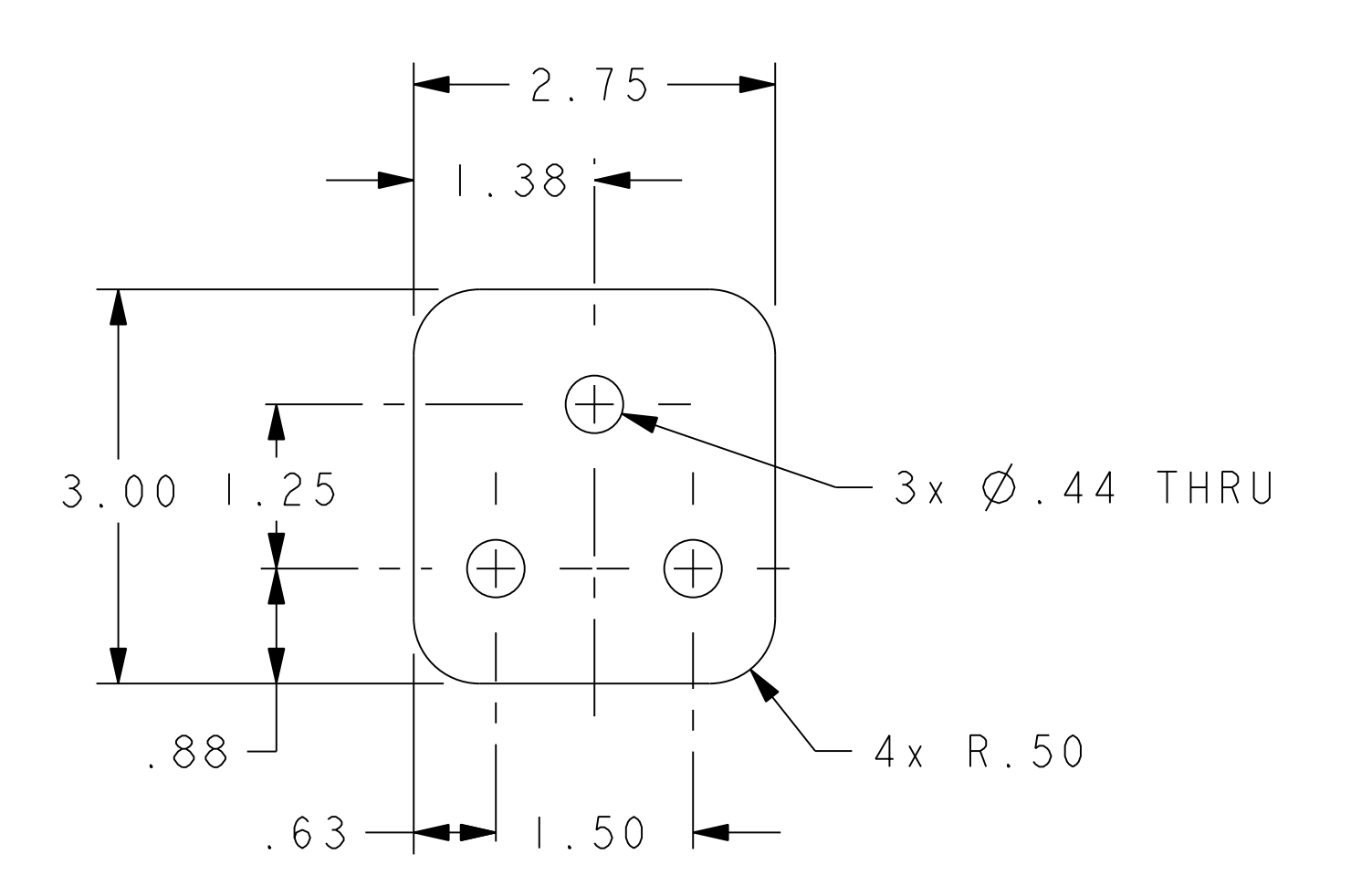
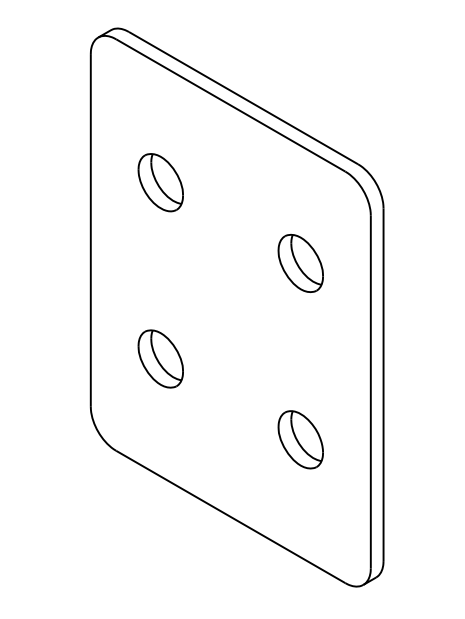
6



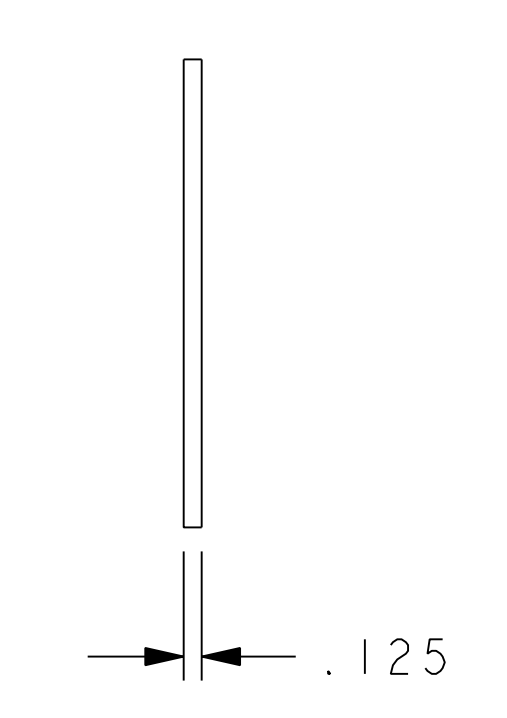
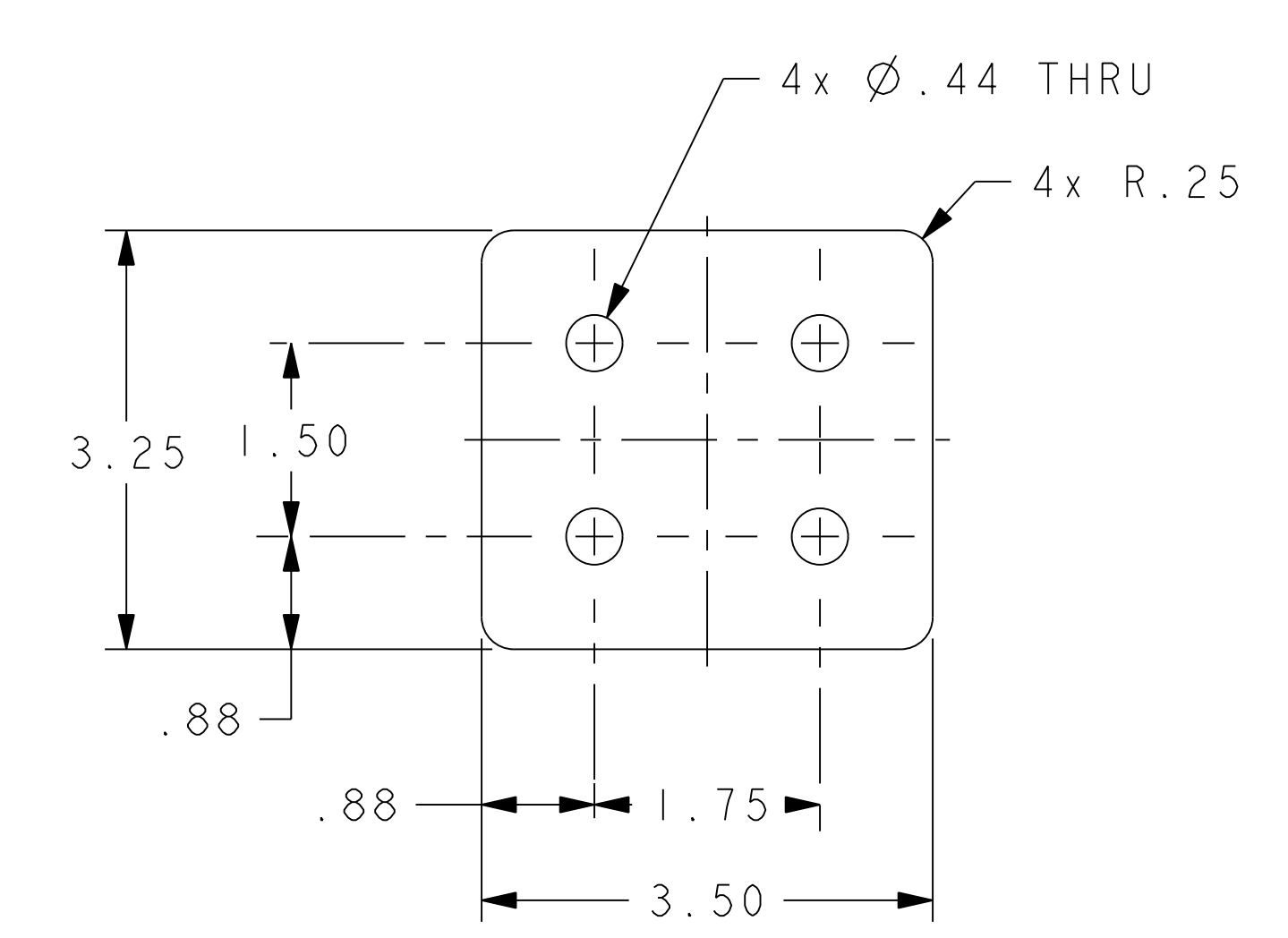
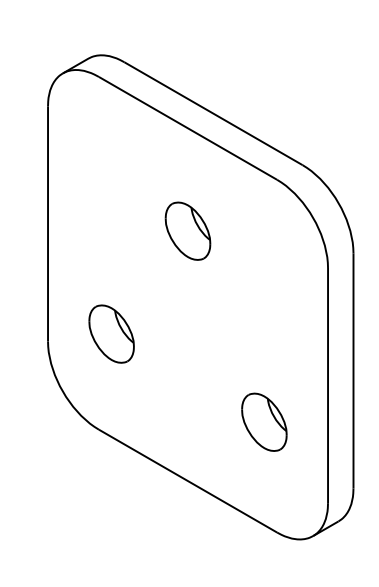
3



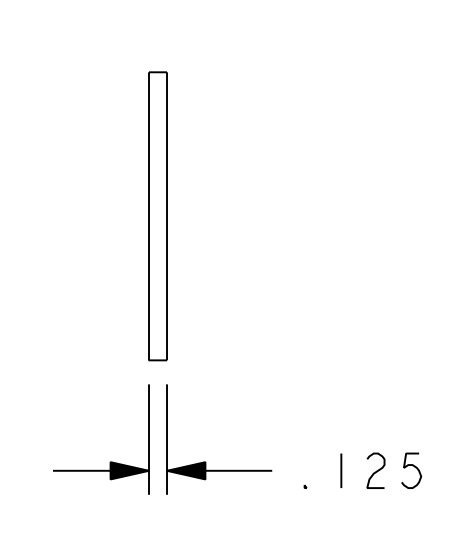
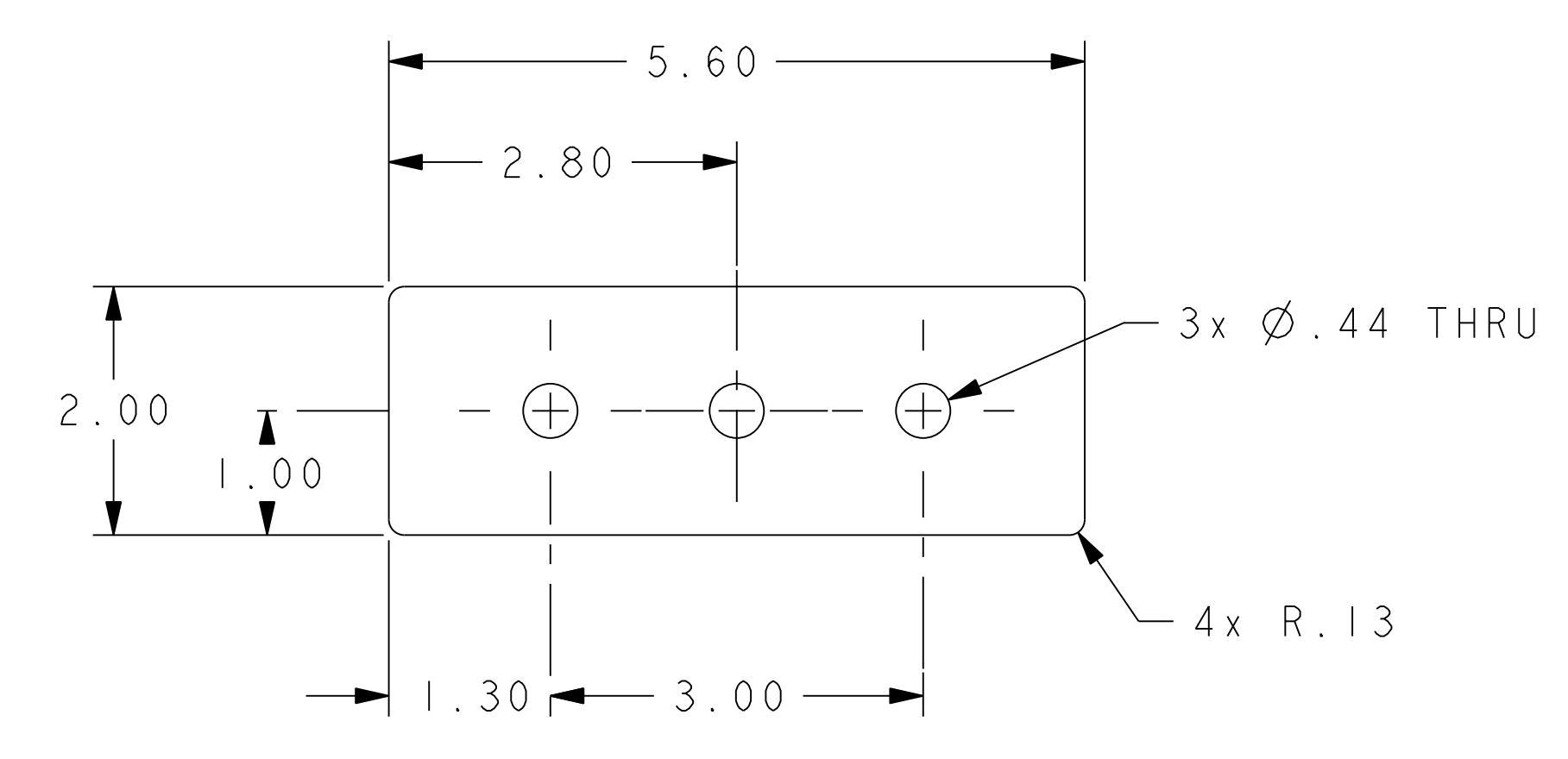
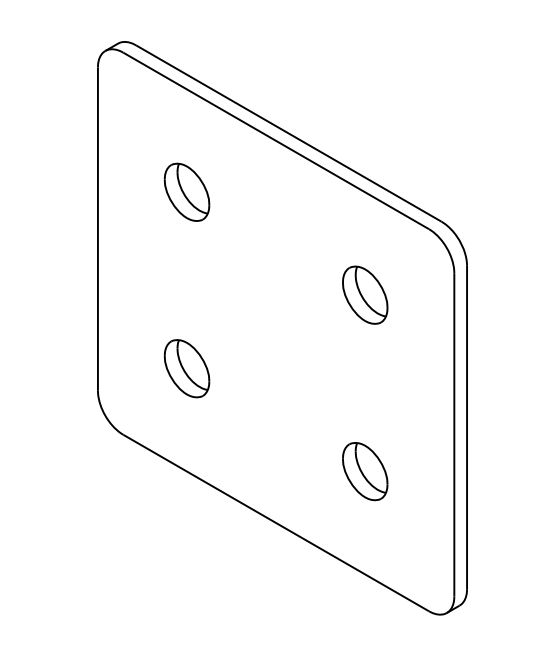
7



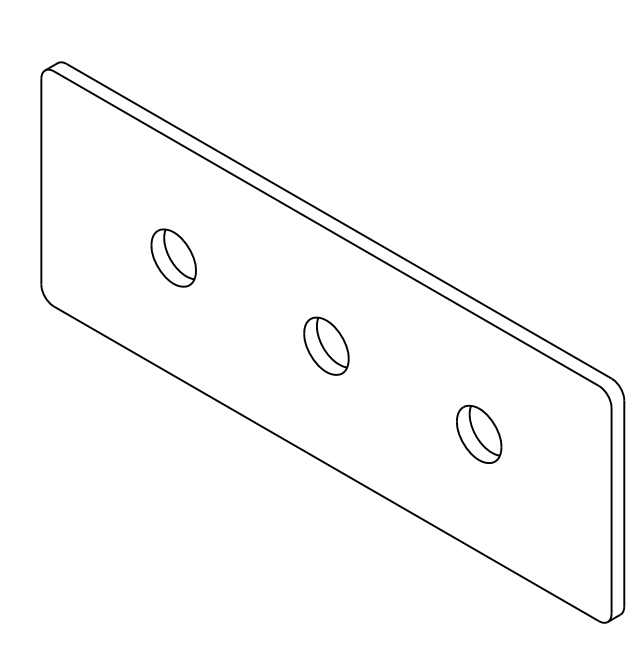
4



8



5



RELEASED FOR FABRICATION / INSTALLATION
PPFL Drafting

RELEASE LEVEL: Fabrication
DWG VERSION NO: 7

WEIGHT	1.8 lbs
MODEL NAME	SE133-068-8
WELDING ENGINEER	

8	SE133-068-8	INSULATOR #8	G10	12
7	SE133-068-7	INSULATOR #7	G10	6
6	SE133-068-6	INSULATOR #6	G10	6
5	SE133-068-5	INSULATOR #5	G10	6
4	SE133-068-4	INSULATOR #4	G10	6
3	SE133-068-3	INSULATOR #3	G10	12
2	SE133-068-2	INSULATOR #2	G10	12
1	SE133-068-1	INSULATOR #1	G10	198
PART NO.	DRAWING/MODEL NO	NOMENCLATURE OR DESCRIPTION	MATERIAL	QTY REOD
PARTS LIST				
COMPUTER GENERATED DRAWING MANUAL CHANGES NOT PERMITTED	CENTRAL FILES: UNLESS OTHERWISE SPECIFIED	PRINCETON PLASMA PHYSICS LABORATORY PRINCETON UNIVERSITY		
Pro E	DIMENSIONS ARE IN INCHES MACHINE SURFACES	NATIONAL COMPACT STELLARATOR EXPERIMENT		
DO NOT VERIFY INFORMATION BY SCALING DRAWING	BREAK SHARP EDGES .005/.020	STELLARATOR CORE TRIM COILS INSULATOR		
TOLERANCES NON-CUMULATIVE	DSN: R. UPCAVAGE	6/11/08	DRAWING NO:	
DECIMAL-INCH FRACTIONS	CHK: M. KALISH	6/11/08	SE133-068	
NEXT ASSEMBLY	.XX +/- .030	ENGR: M. KALISH	6/11/08	
	.XXX +/- .005	SUPV: J. SIEGEL	6/11/08	SHEET 1 OF 1
	ANGULAR +/- .015			REV 0

NCSX-SE133-068