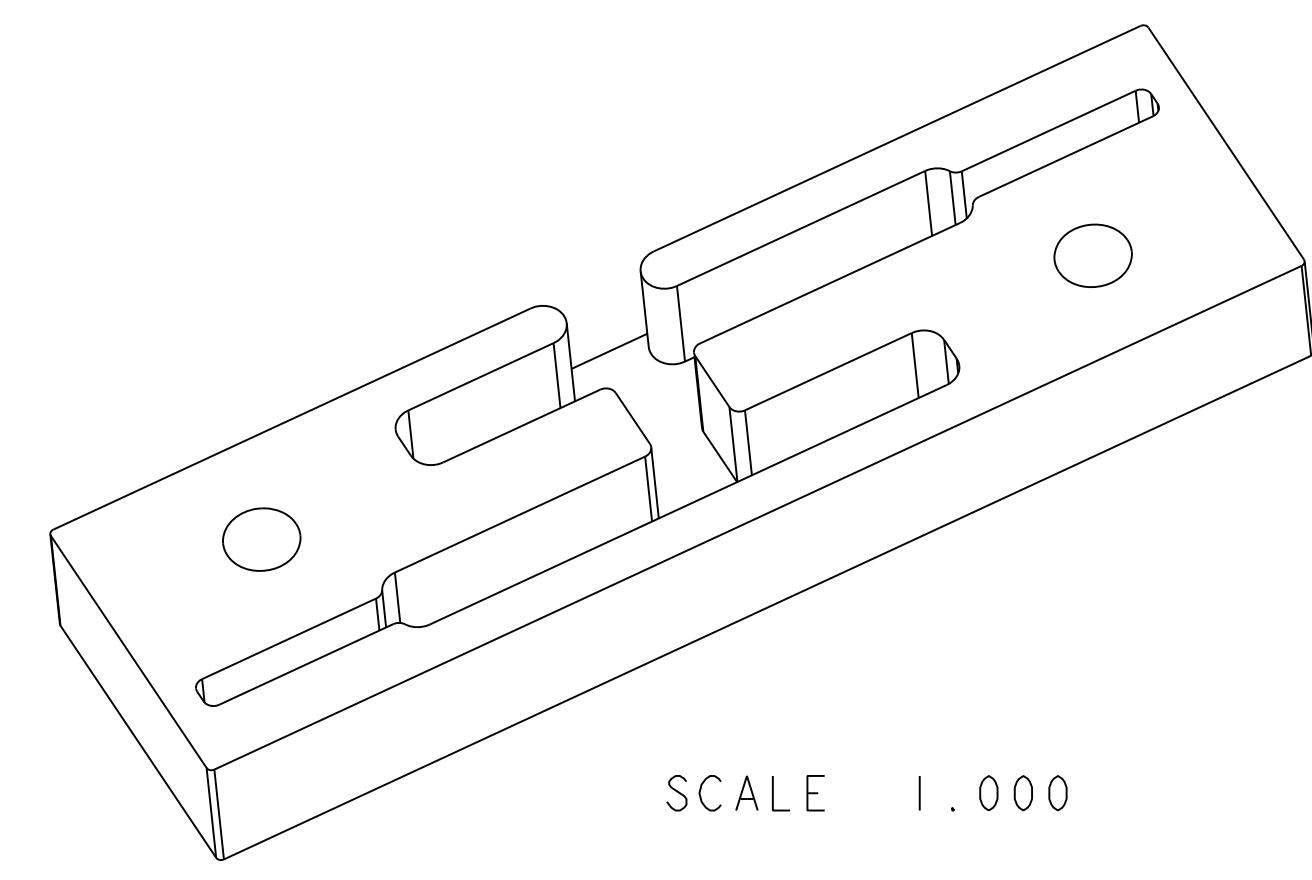
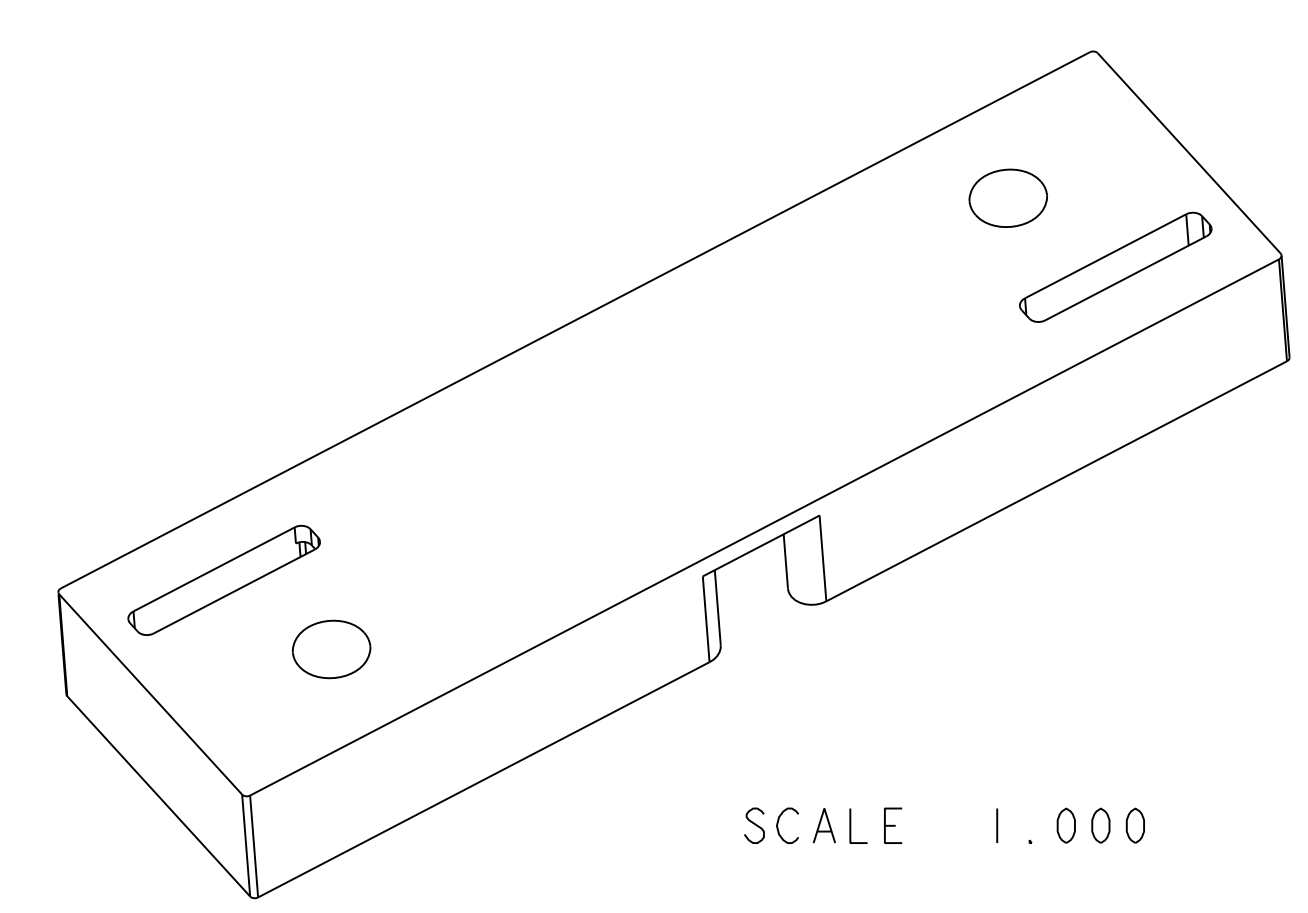


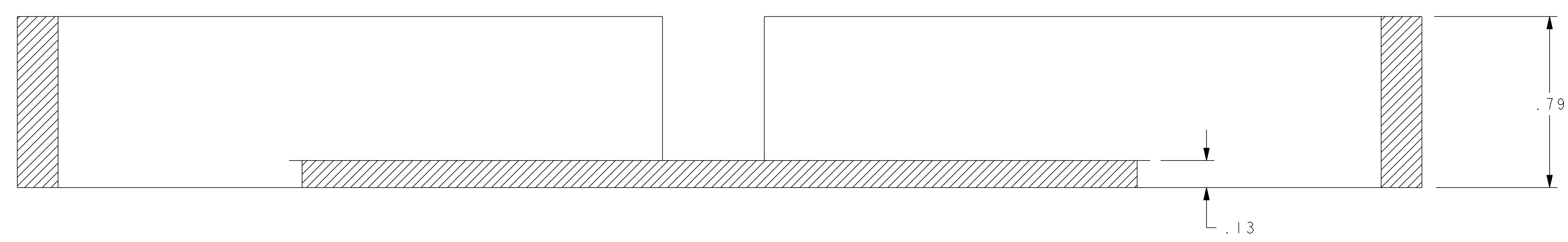
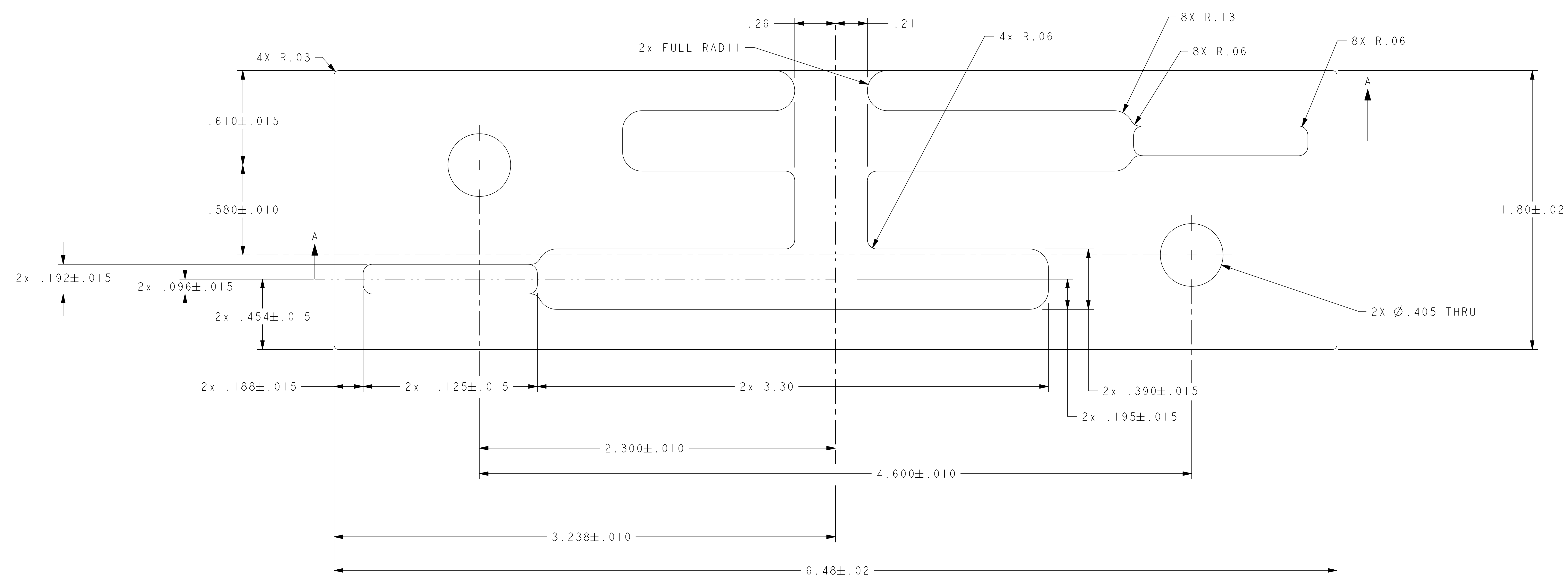
NO.	REVISION	BY	CH	SUP	APPROVED	DATE



SCALE 1.000



SCALE 1.000



SECTION A-A

RELEASED FOR FABRICATION / INSTALLATION
PPPL Drafting

PART NO.	SE133-069	COIL CONNECTION HOUSING	G10	48
DRAWING/MODEL NO.		NOMENCLATURE OR DESCRIPTION	MATERIAL	QTY REOD
PARTS LIST				
COMPUTER GENERATED DRAWING MANUAL CHANGES NOT PERMITTED	CENTRAL FILES: UNLESS OTHERWISE SPECIFIED	PRINCETON PLASMA PHYSICS LABORATORY PRINCETON UNIVERSITY NATIONAL COMPACT STELLARATOR EXPERIMENT		
Pro E	DIMENSIONS ARE IN INCHES MACHINE SURFACES	STELLARATOR CORE TRIM COILS COIL CONNECTION HOUSING		
DO NOT VERIFY INFORMATION BY SCALING DRAWING	BREAK SHARP EDGES .005/.020	TOLERANCES NON-CUMULATIVE	DSN: R. UPCAVAGE	6/11/08
		DECIMAL-INCH FRACTIONS	CHK: M. KALISH	6/11/08
		XXX +/- .005 120°-121° +/- .174	ENGR: M. KALISH	6/11/08
		ANGULAR +/- .0°-15° OVER 120° +/- .172	SUPV: J. SIEGEL	6/11/08
			DRAWING NO:	SE133-069
			SHEET 1 OF 1	REV 0.4

RELEASE LEVEL: Fabrication
DWG VERSION NO: 10

WEIGHT
6.7 lbs
MODEL NAME
SE133-069
WELDING ENGINEER

NCSX-SE133-069