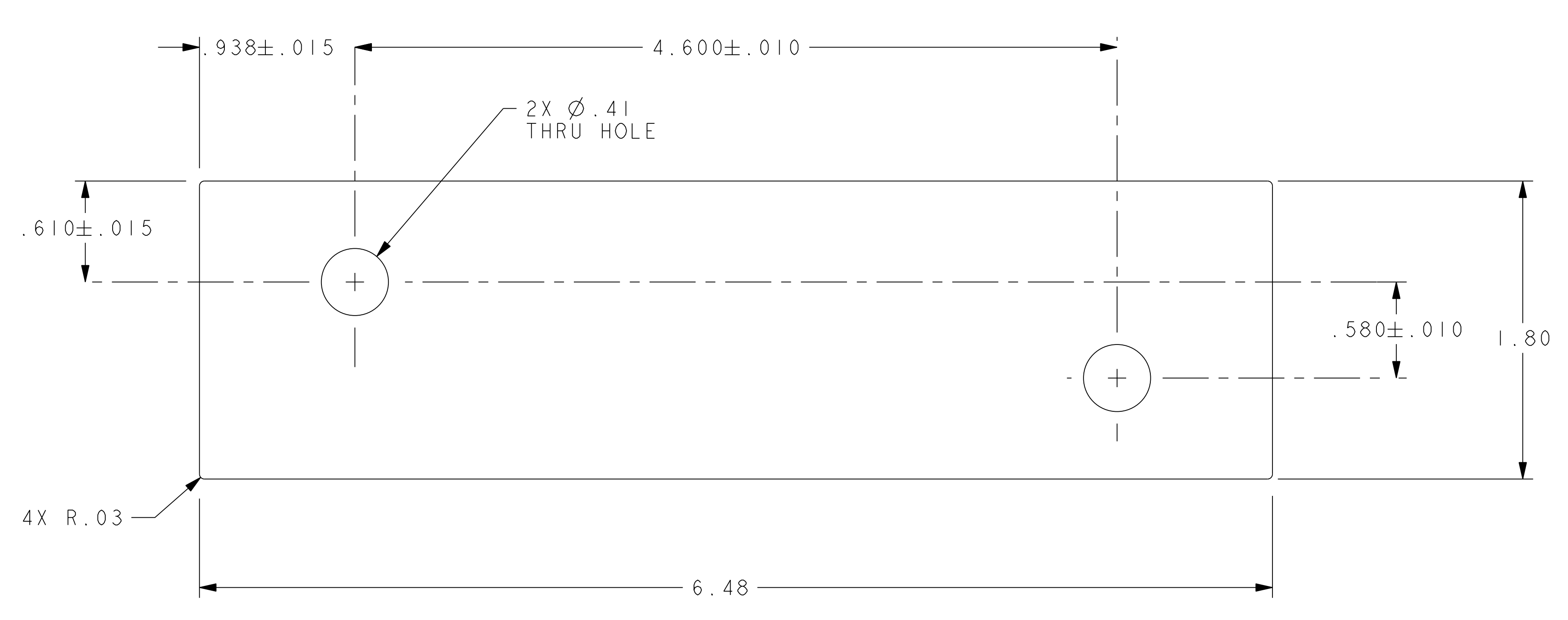
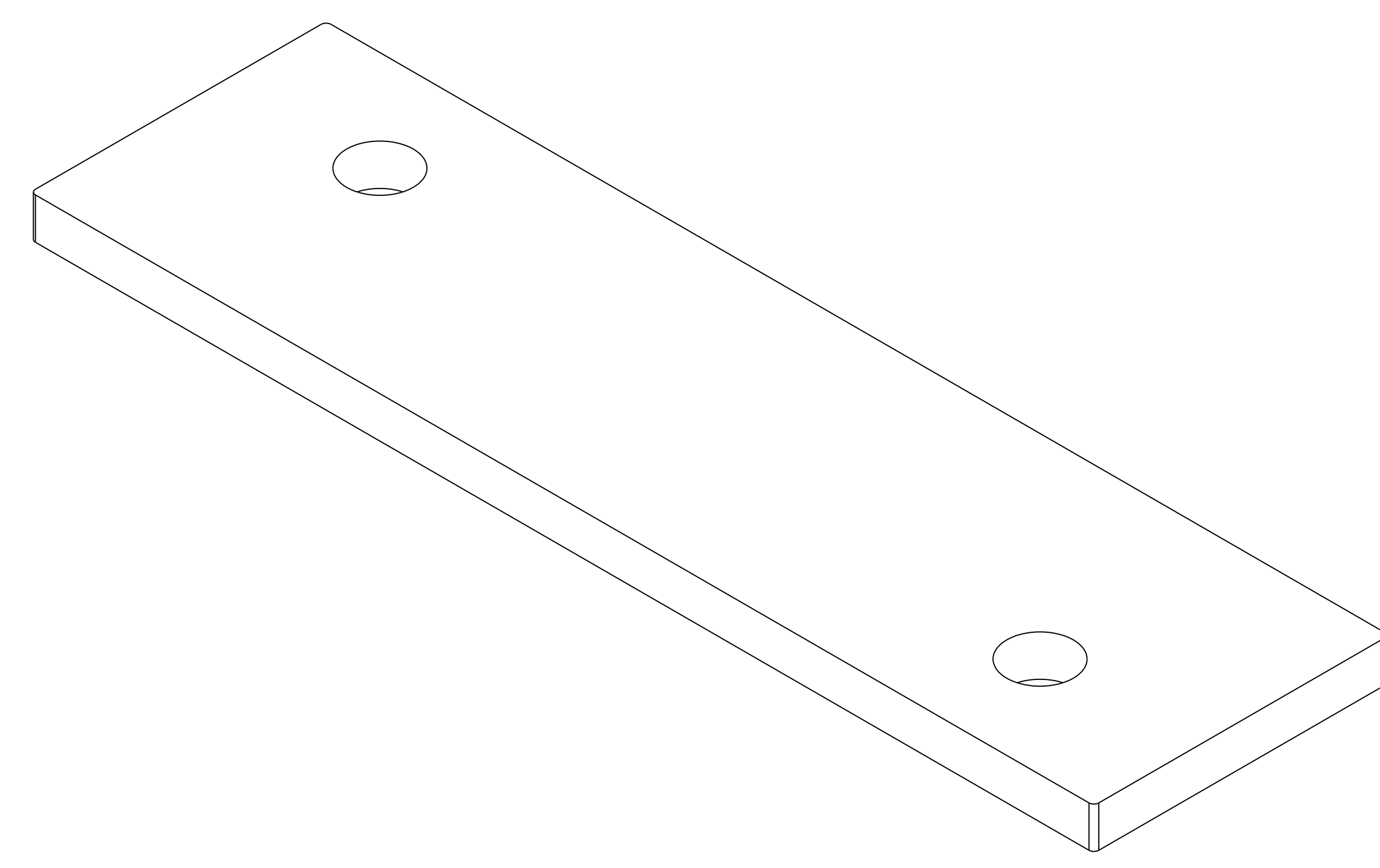


NO.	REVISION	BY	CH	SUP	APPROVED	DATE



**RELEASED FOR FABRICATION / INSTALLATION**  
 PPPL Drafting

1	SE133-070	COVER, COIL CONNECTION HOUSING	G10	48
PART NO.	DRAWING/MODEL NO	NOMENCLATURE OR DESCRIPTION	MATERIAL	QTY REOD
PARTS LIST				
COMPUTER GENERATED DRAWING MANUAL CHANGES NOT PERMITTED	CENTRAL FILES: UNLESS OTHERWISE SPECIFIED	PRINCETON PLASMA PHYSICS LABORATORY PRINCETON UNIVERSITY		
Pro E	DIMENSIONS ARE IN INCHES MACHINE SURFACES	NATIONAL COMPACT STELLARATOR EXPERIMENT		
DO NOT VERIFY INFORMATION BY SCALING DRAWING	BREAK SHARP EDGES .005/.020	STELLATOR CORE TRIM COILS COVER, COIL CONNECTION HOUSING		
WEIGHT	2.8 lbs	TOLERANCES NON-CUMULATIVE	DSN: R. UPCAVAGE	DRAWING NO:
MODEL NAME	SE133-070	DECIMAL-INCH FRACTIONS	CHK:	SE133-070
RELEASE LEVEL: Fabrication	WELDING ENGINEER	.XX +/- .000 0°-120° +/- .010	ENGR: M. KALISH	
DWG VERSION NO: 10		.XXX +/- .005 120°-120° +/- .010	SUPV:	
		ANGULAR +/- .0°-15° OVER 120° +/- .010		SHEET 1 OF 1 REV 0.4

NCSX-SE133-070