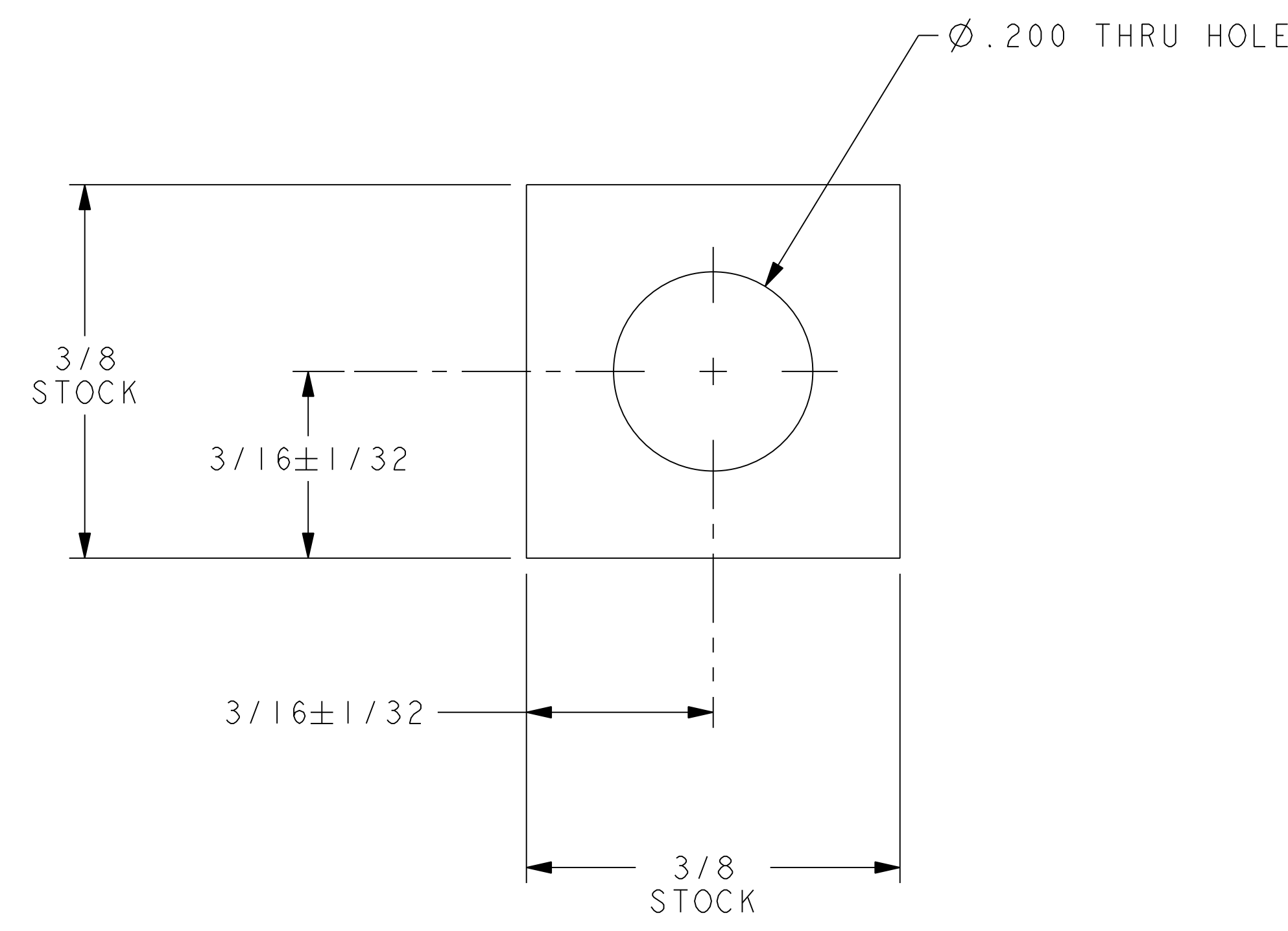
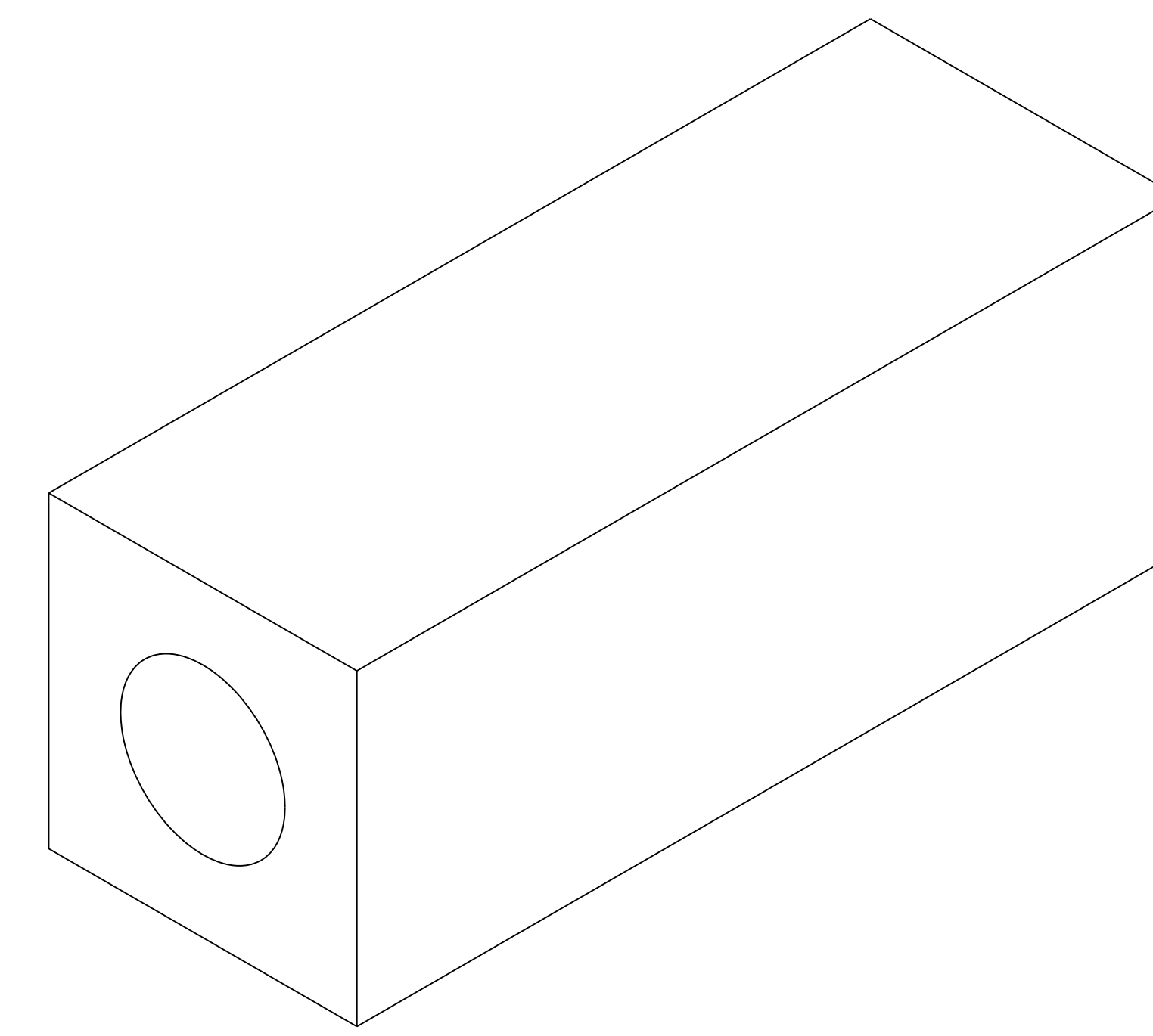


NO.	REVISION	BY	CH	SUP	APPROVED	DATE



**RELEASED FOR
FABRICATION / INSTALLATION**
PPPL Drafting

PART NO.	DRAWING/MODEL NO	NOMENCLATURE OR DESCRIPTION	MATERIAL	QTY RECD
1	SE133-071	COIL TO WIRE CONNECTOR	SILICON BRONZE (DURIUM)	48
PARTS LIST				
WEIGHT 0.1 lbs		COMPUTER GENERATED DRAWING MANUAL CHANGES NOT PERMITTED Pro E DO NOT VERIFY INFORMATION BY SCALING DRAWING	CENTRAL FILES: UNLESS OTHERWISE SPECIFIED DIMENSIONS ARE IN INCHES MACHINE SURFACES BREAK SHARP EDGES .005/.020 TOLERANCES NON-CUMULATIVE DECIMAL-INCH FRACTIONS NEXT ASSEMBLY	PRINCETON PLASMA PHYSICS LABORATORY NATIONAL COMPACT STELLARATOR EXPERIMENT STELLARATOR CORE TRIM COILS COIL TO WIRE CONNECTION DSN: R. UPCAVAGE 6/11/08 CHK: M. KALISH 6/11/08 ENGR: M. KALISH 6/11/08 SUPV: J. SIEGEL 6/11/08
MODEL NAME SE133-071		WELDING ENGINEER		DRAWING NO: SE133-071 SHEET 1 OF 1 REV 0.5

RELEASE LEVEL: Fabrication
DWG VERSION NO: 9

NCSX-SE133-071