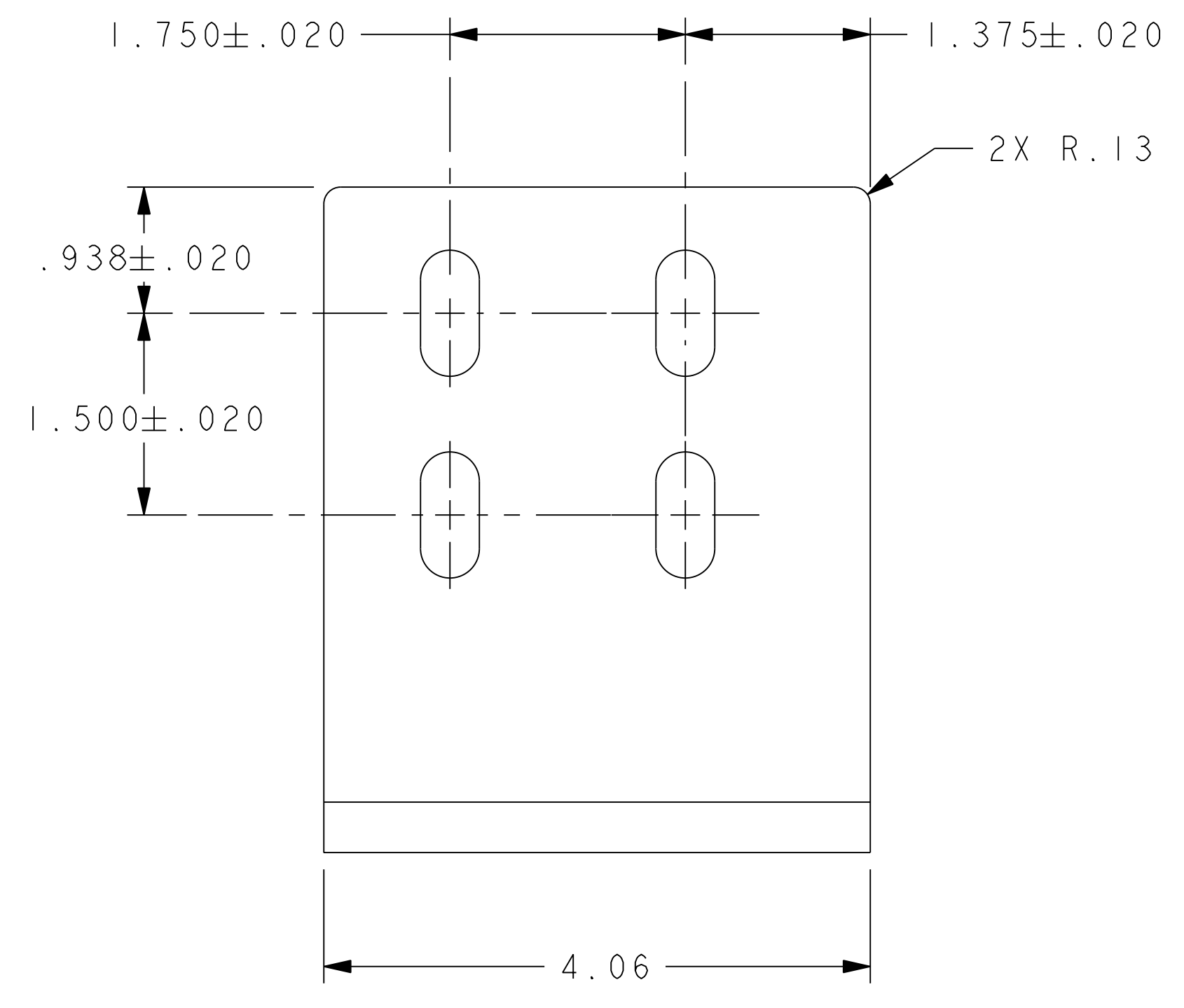
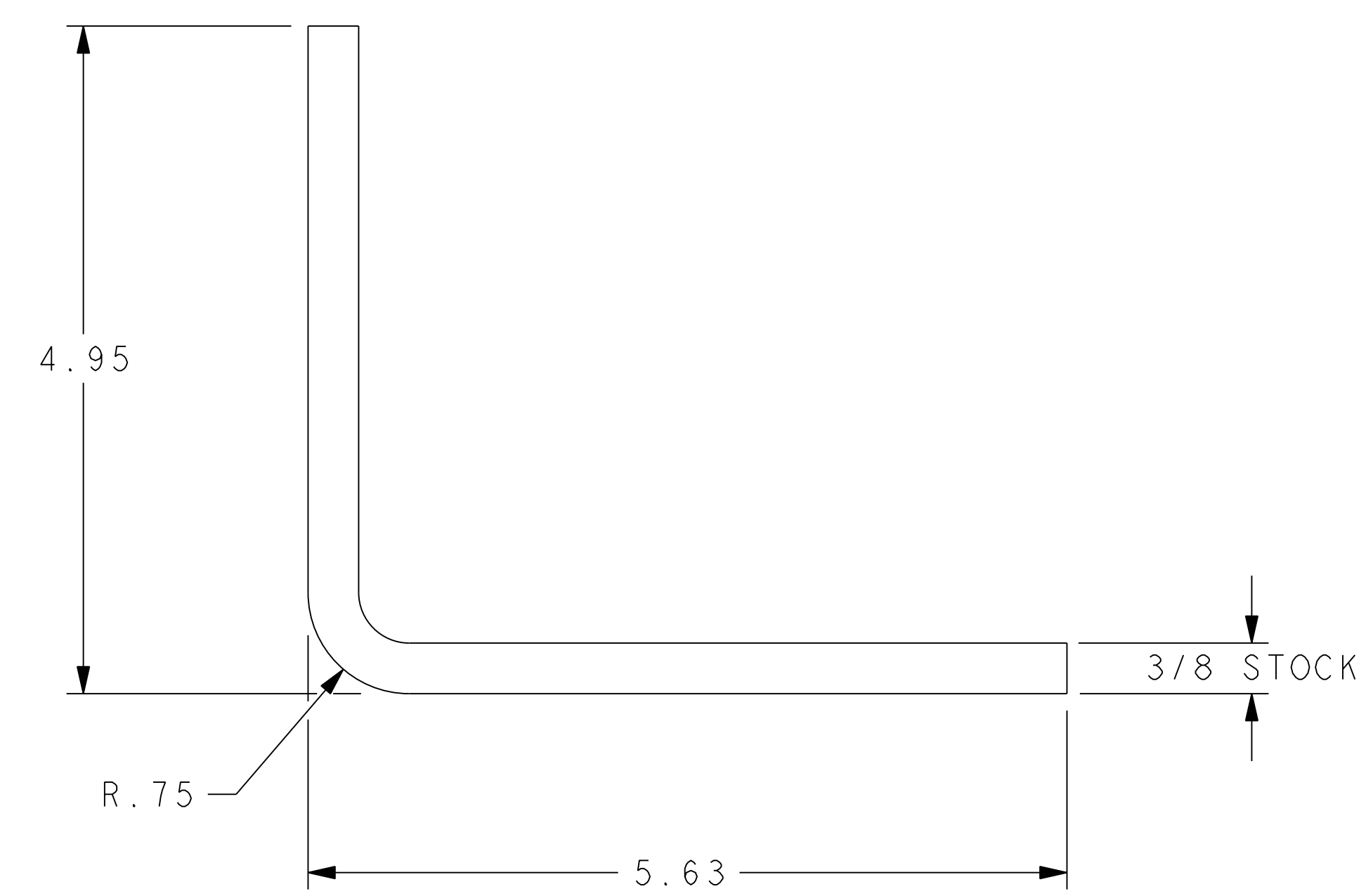
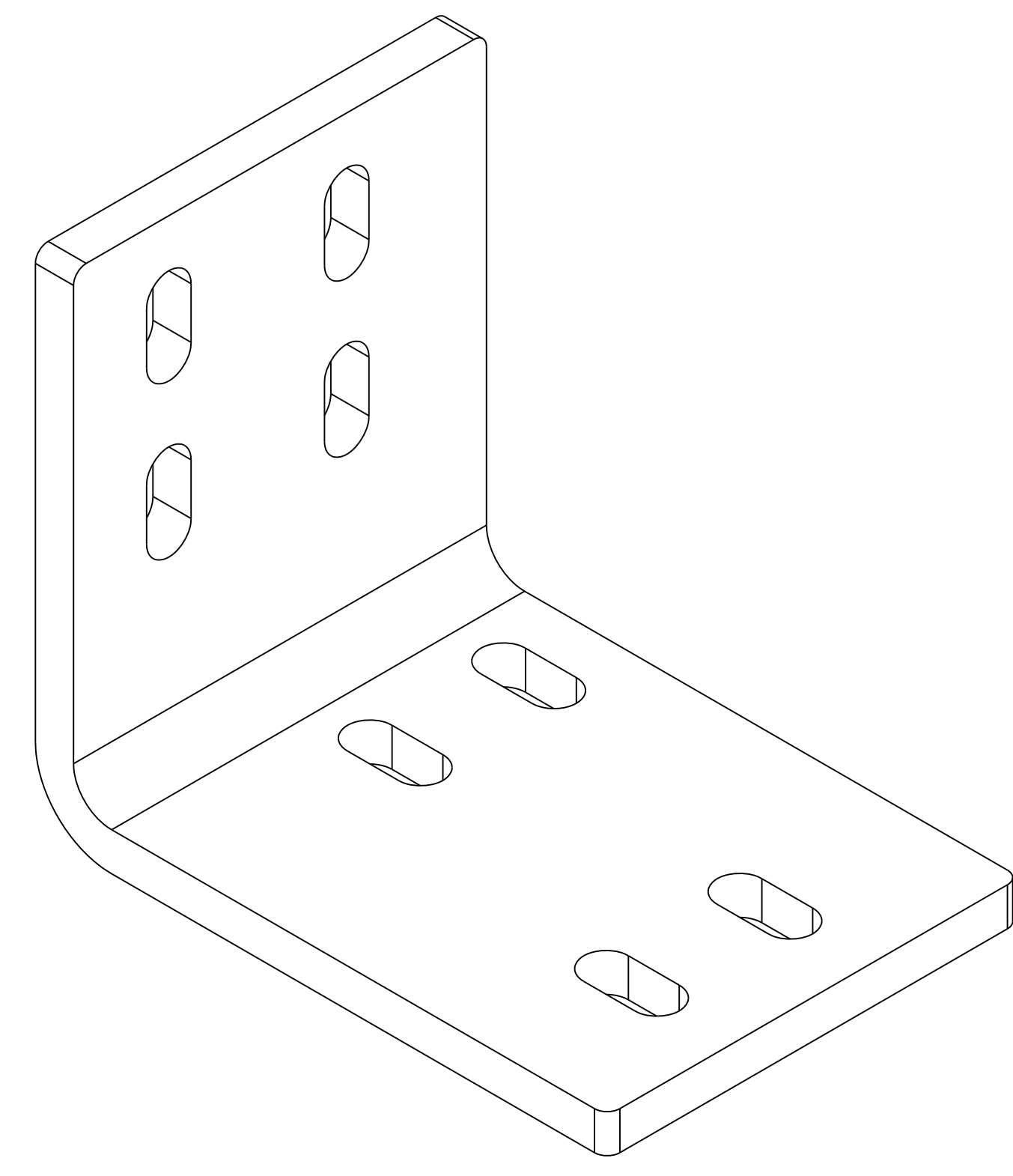
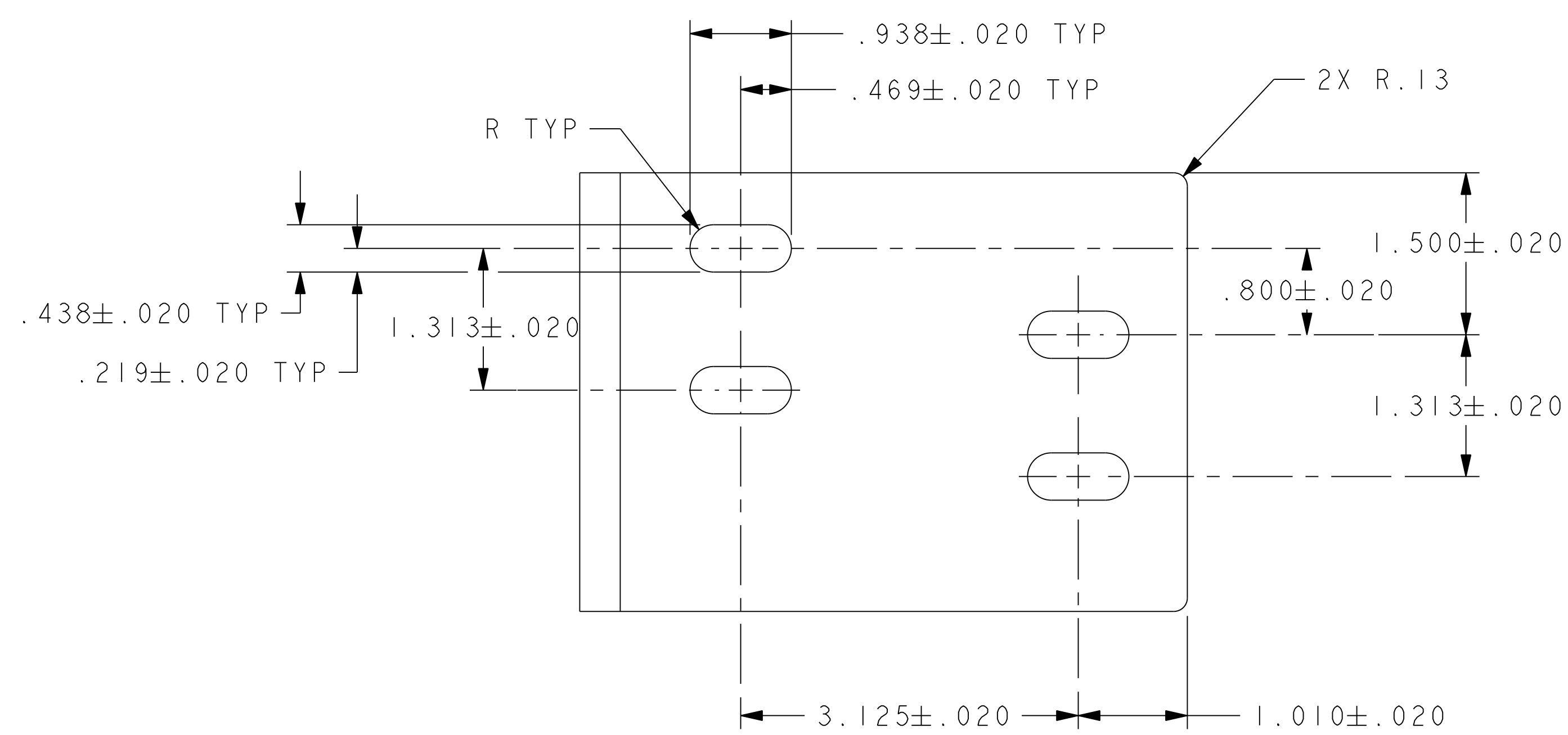


NO.	REVISION	BY	CH	SUP	APPROVED	DATE



NOTES:  
1. MATERIAL: INCONEL 625, COLD ROLLED 20% REDUCTION, 110 KSI YIELD.

RELEASED FOR FABRICATION / INSTALLATION  
PPPL Drafting

PART NO.	SEI133-077	TRIM COIL BRACKET #2, LOWER LEFT	INCONEL 625	QTY RECD
PARTS LIST				
COMPUTER GENERATED DRAWING MANUAL CHANGES NOT PERMITTED Pro E		CENTRAL FILES: UNLESS OTHERWISE SPECIFIED DIMENSIONS ARE IN INCHES MACHINE SURFACES	PRINCETON PLASMA PHYSICS LABORATORY PRINCETON UNIVERSITY NATIONAL COMPACT STELLARATOR EXPERIMENT STELLARATOR CORE TRIM COILS TRIM COIL BRACKET #2, LOWER LEFT	
DO NOT VERIFY INFORMATION BY SCALING DRAWING		BREAK SHARP EDGES .005/.020	DRAWING NO. SEI133-077	
NEXT ASSEMBLY		TOLERANCES NON-CUMULATIVE DECIMAL-INCH FRACTIONS .XX ±.000 .XXX ±.005 ANGULAR ±.0°-15°	DSN: R. UPCAVAGE 6/12/08	CHK: M. KALISH 6/12/08
WEIGHT 4.1 lbs		MODEL NAME SEI133-077	ENGR: M. KALISH 6/12/08	SUPV: J. SIEGEL 6/12/08
RELEASE LEVEL: Fabrication DWG VERSION NO: 10		WELDING ENGINEER	SHEET 1 OF 1	REV 0.6

NCSX-SEI133-077