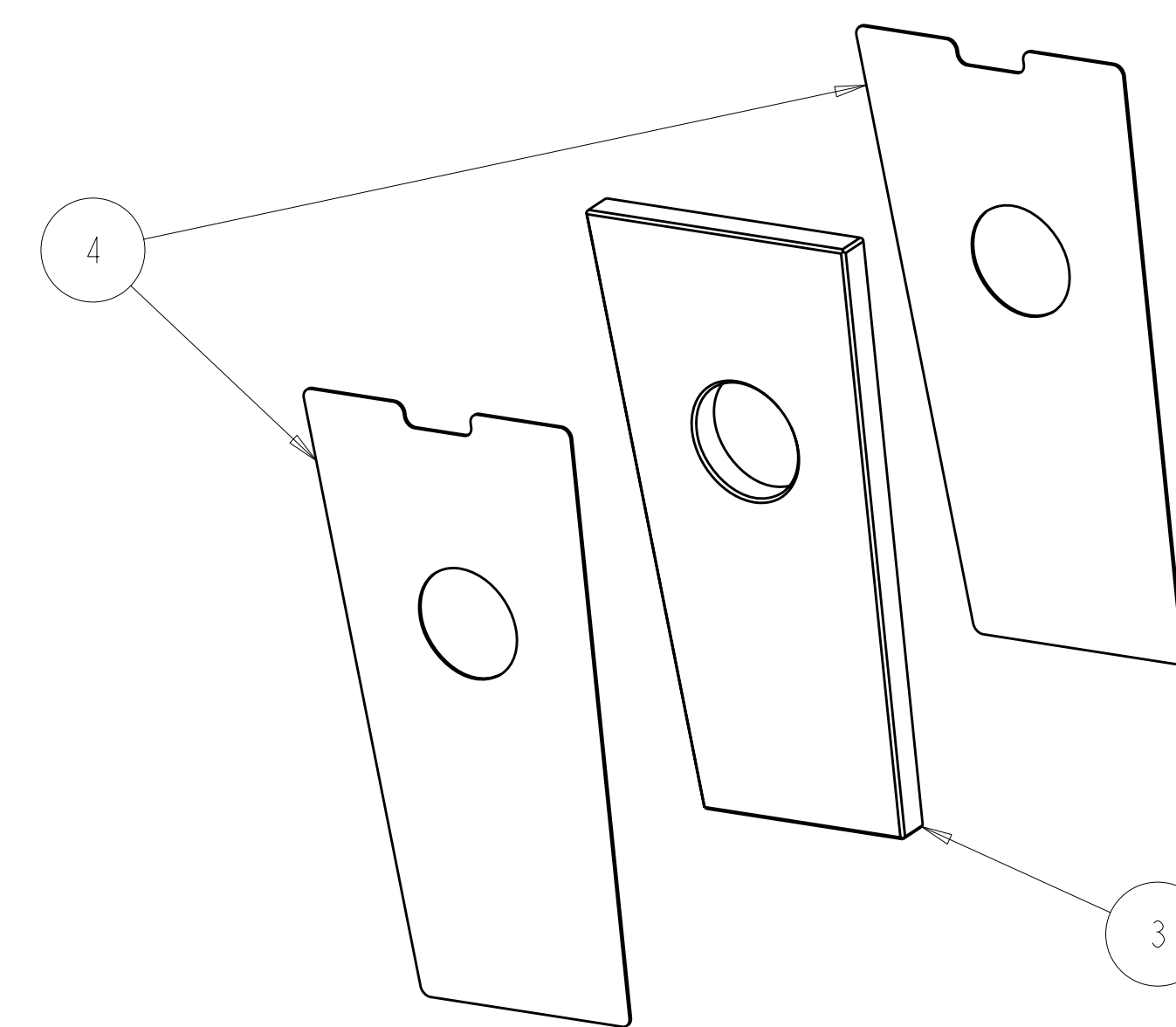
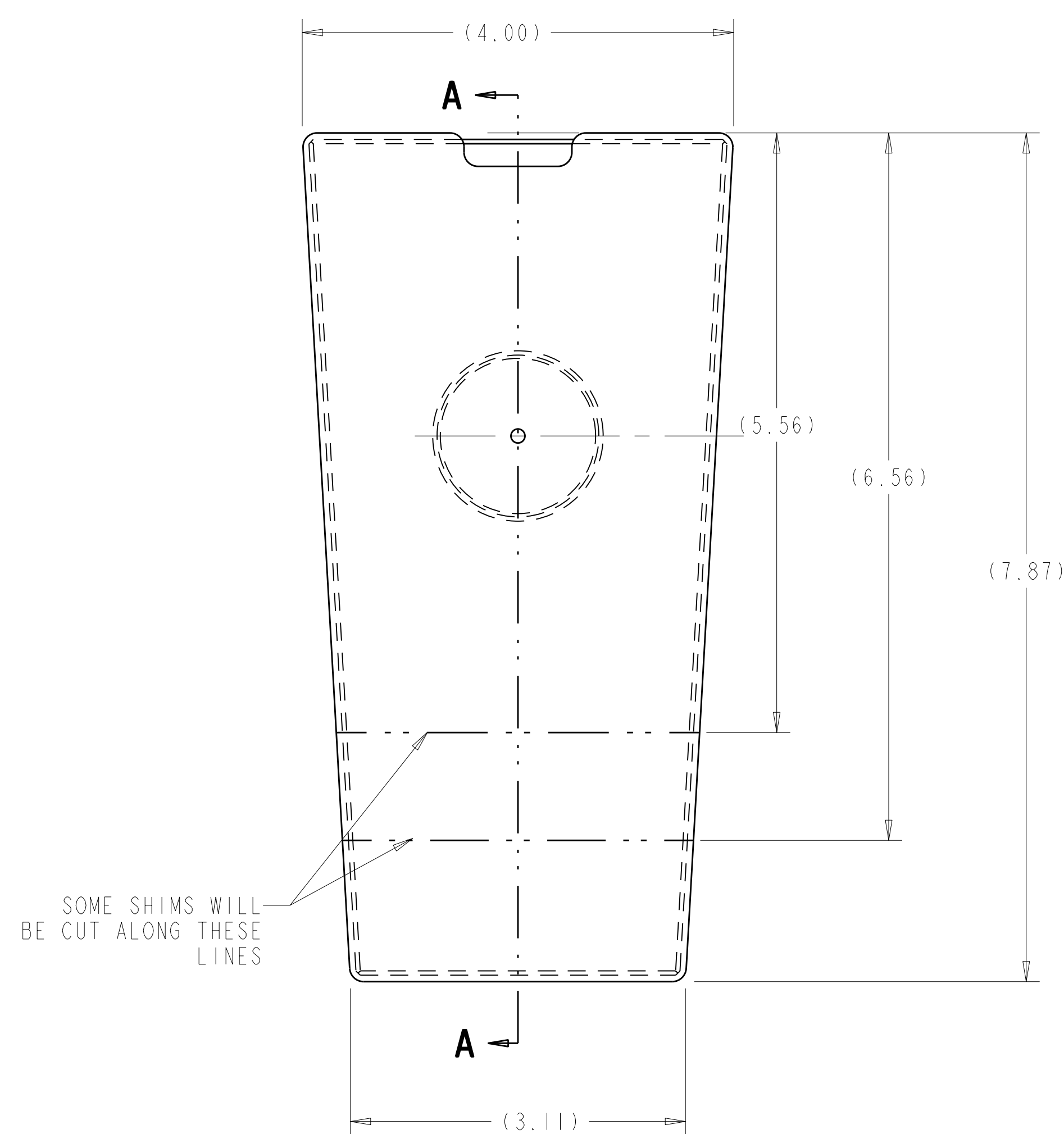


EXPLODED ISOMETRIC VIEW
SCALE 0.50

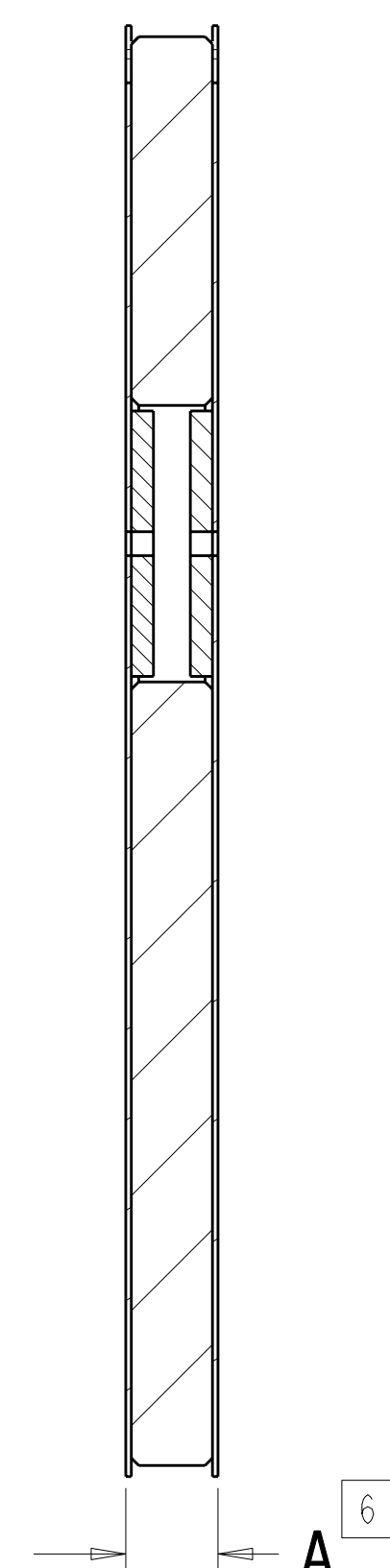


EXPLODED ISOMETRIC VIEW
SCALE 0.50

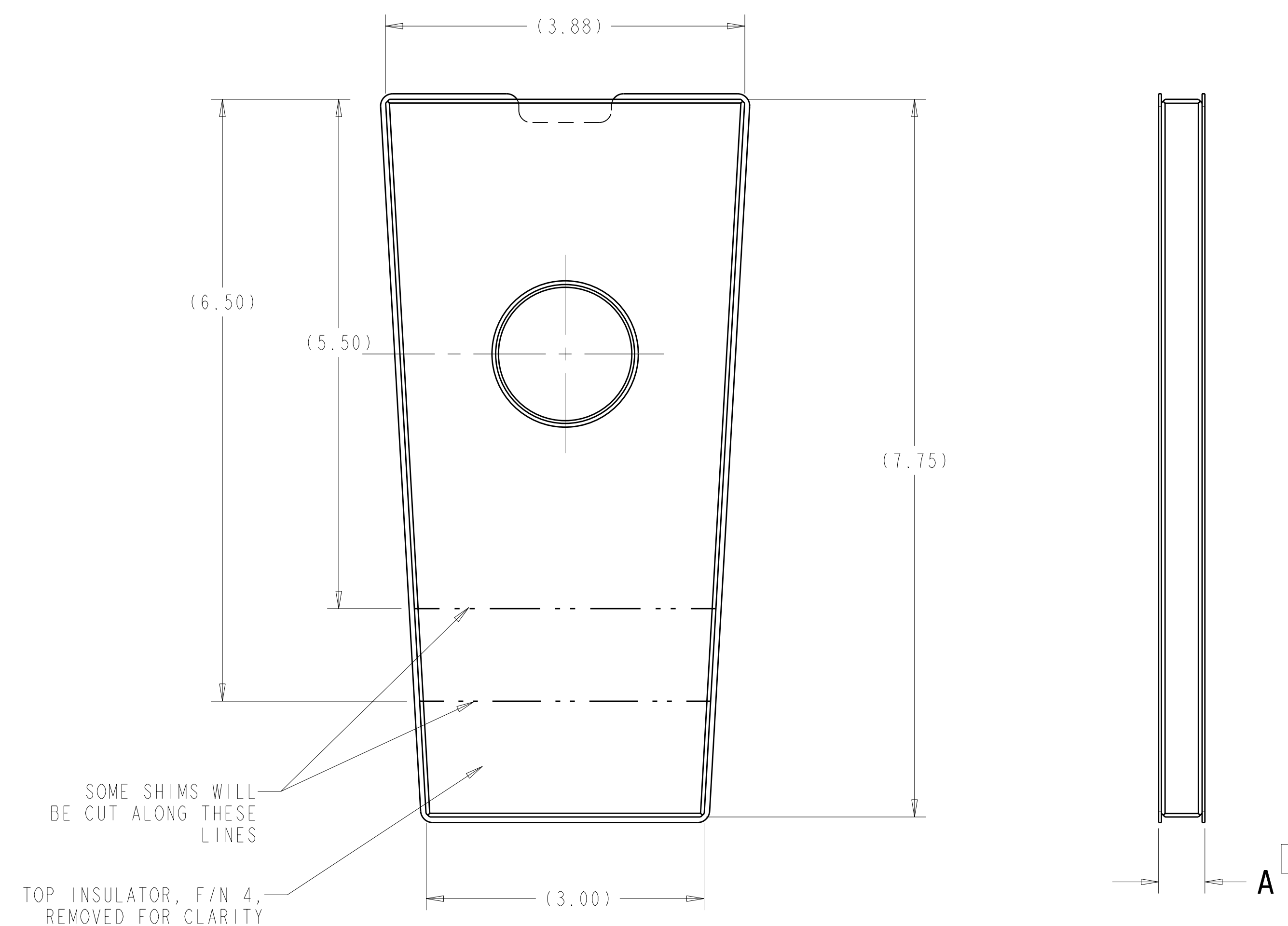
- NOTES
- DRAWING PREPARED IN ACCORDANCE WITH ASME Y14.100-2004.
 - INTERPRET DIMENSIONS AND TOLERANCES PER ASME Y14.5M-1994.
 - DIMENSIONS ARE IN INCHES
 - SHIM ASSY MAY BE TRIMMED FOR ADEQUATE CLEARANCE AS NECESSARY.
 - APPLY ADHESIVE, F/N 7, TO RETAIN BOTH INSULATORS, F/N 6, FOLLOWING MANUFACTURERS' DIRECTIONS.
 - DIMENSION **A** WILL BE DETERMINED BY ASSEMBLY OF F/N 3, 4, AND 6 AS REQ'D AT INSTALLATION.



-2 NO BOLT SHIM ASSEMBLY
SCALE 1.00



SECTION A-A



-1 SHIM PLATE ASSEMBLY
SCALE 1.00

REV	DESCRIPTION	BY	DATE	CHK	DEPT	DATE	PE	REQ	DATE	ORNL	DOE	DATE
0	ORIGINAL ISSUE	GM	02/08	MC		02/08						

CAGE CODE	PART OR IDENTIFYING NO	NOMENCLATURE OR DESCRIPTION	MATERIAL	SPECIFICATION	FIND NO
5	AR	-7	ADHESIVE	LOCTITE 493 OR EQUIVALENT	7
	2	SE140-043-3	NO BOLT SHIM PLATE INSULATOR		6
	2	SE140-043-2	SHIM INSULATOR RETAINER		5
	2	SE140-043-1	SHIM PLATE INSULATOR		4
	1	1	SE140-042	SHIM PLATE	3
AR	AR	-2	NO BOLT SHIM ASSEMBLY		2
AR	AR	-1	SHIM PLATE ASSEMBLY		1

RELEASED FOR FABRICATION / INSTALLATION
PPPL Drafting:

NO REPRESENTATION OR WARRANTY, EXPRESSED OR IMPLIED, IS MADE AS TO THE ACCURACY, COMPLETENESS OR USEFULNESS OF THE INFORMATION OR STATEMENTS CONTAINED IN THESE DRAWINGS, OR THAT THE USE OR DISCLOSURE OF ANY INFORMATION, APPARATUS, METHOD OR PROCESS DISCLOSED IN THESE DRAWINGS MAY NOT INFRINGE PRIVATE RIGHTS OF OTHERS. NO LIABILITY IS ASSUMED WITH RESPECT TO THE USE OF, OR FOR DAMAGES RESULTING FROM THE USE OF, ANY INFORMATION, APPARATUS, METHOD OR PROCESS DISCLOSED IN THESE DRAWINGS. DRAWINGS MADE AVAILABLE FOR INFORMATION TO BIDDER ARE NOT TO BE USED FOR OTHER PURPOSES, AND ARE TO BE RETURNED UPON REQUEST OF THE FORWARDING CONTRACTOR.

P THIS DRAWING PRODUCED ON PRO-ENGINEER

SCALE NOTED	DES: D WILLIAMSON 02/2008
TOLERANCES UNLESS OTHERWISE SPECIFIED	DRW: G MCGINNIS 02/2008
FRACTIONS	CHK: M COLE 02/2008
XX DECIMALS ±.01	SECT: :
XXX DECIMALS ±.005	DEPT: :
ANGLES ±0°15'	CR: :
BREAK SHARP EDGES OR MAX FINISH .125 UNLESS OTHERWISE SPECIFIED	PJ: :
	RD: :
	PPPL DRFT J SIEGEL 02/2008

UT-BATTELLE		Oak Ridge National Laboratory managed for the DEPARTMENT OF ENERGY under U.S. GOVERNMENT contract DE-AC05-00OR22725 UT-BATTELLE, LLC. Oak Ridge, Tennessee	
PROJECT NAME: NATIONAL COMPACT STELLARATOR EXPERIMENT			
SHIM PLATE ASSEMBLY			
VERSION NO. 5	PLANT ORNL	BLDG 5700	FL 3
RELEASE LEVEL Fabrication	SHT 1	OF 1	TYPE S
SEI40-041		REV 0	CLASS U