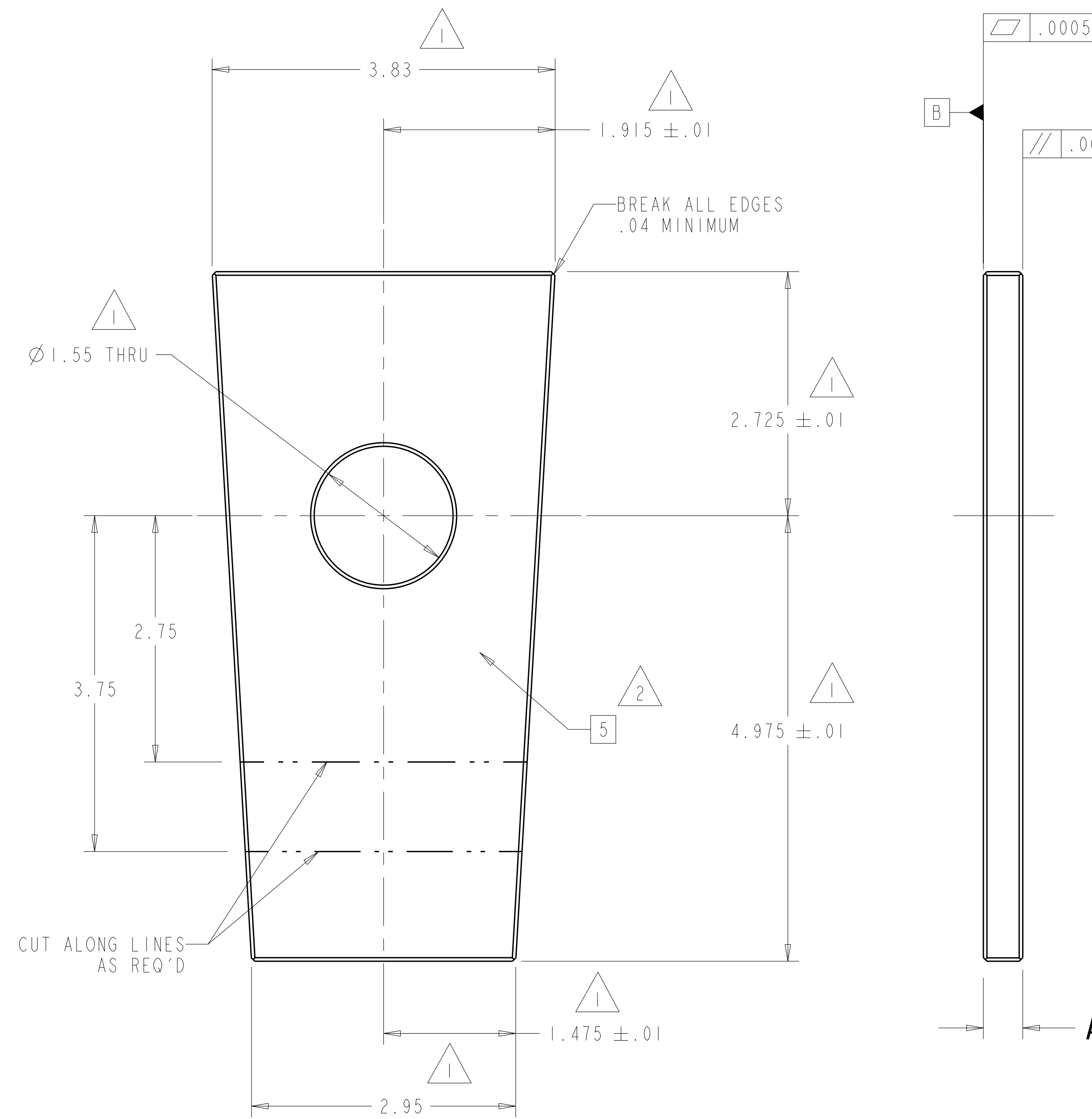


.532	-57
.530	-56
.528	-55
.526	-54
.524	-53
.522	-52
.520	-51
.518	-50
.516	-49
.514	-48
.512	-47
.510	-46
.508	-45
.506	-44
.504	-43
.502	-42
.500	-41
.498	-40
.496	-39
.494	-38
.492	-37
.490	-36
.488	-35
.486	-34
.484	-33
.482	-32
.480	-31
.478	-30
.476	-29
.474	-28
.472	-27
.470	-26
.468	-25
.466	-24
.464	-23
.462	-22
.460	-21
.458	-20
.456	-19
.454	-18
.452	-17
.450	-16
.448	-15
.446	-14
.444	-13
.442	-12
.440	-11
.438	-10
.436	-9
.434	-8
.432	-7
.430	-6
.428	-5
.426	-4
.424	-3
.422	-2
.420	-1

DIM A	
THICKNESS OF SS ± .001	PART NO

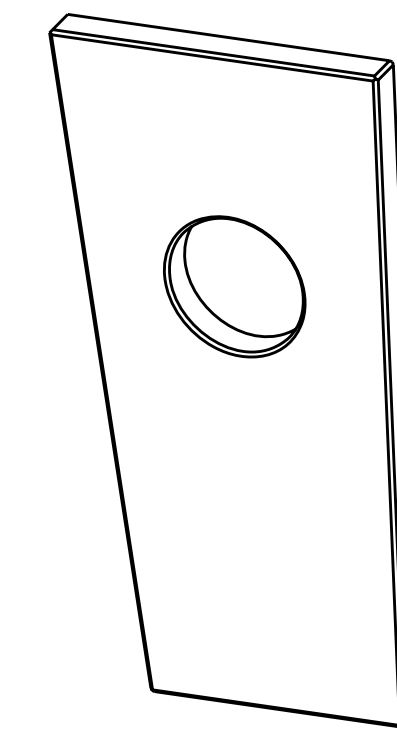
1



1 SHIM PLATE
SCALE 1.00

NOTE: PART TO BE CUT FROM FULL SIZE TEMPLATE CREATED BY DXF FILE SEI40-042.DXF, SEE SHEET 2.

- NOTES
- DRAWING PREPARED IN ACCORDANCE WITH ASME Y14.100-2004.
 - INTERPRET DIMENSIONS AND TOLERANCES PER ASME Y14.5M-1994.
 - DIMENSIONS ARE IN INCHES
 - MAGNETIC PERMEABILITY NOT TO EXCEED 1.02 AS TESTED BY A SEVERN INDICATOR. AVAILABLE FROM:
SEVERN ENGINEERING
AUBURN, ALABAMA 36830
WWW.SEVERENGINEERING.COM
- IF PERMEABILITY SPEC IS NOT ACHIEVED THEN SOLUTION ANNEAL PART.
- 2 5 BOTH SIDES OF PART TO BE SANDBLASTED TO 80 GRIT.



ISOMETRIC VIEW
SCALE .50

AR	SEE CHART	SHIM PLATE	316 SST 4	ASTM A240	I
CAGE CODE	PART OR IDENTIFYING NO	NOMENCLATURE OR DESCRIPTION	MATERIAL	SPECIFICATION	FIND NO
SEI40-042					
	NEXT ASSEMBLY	PARTS LIST			

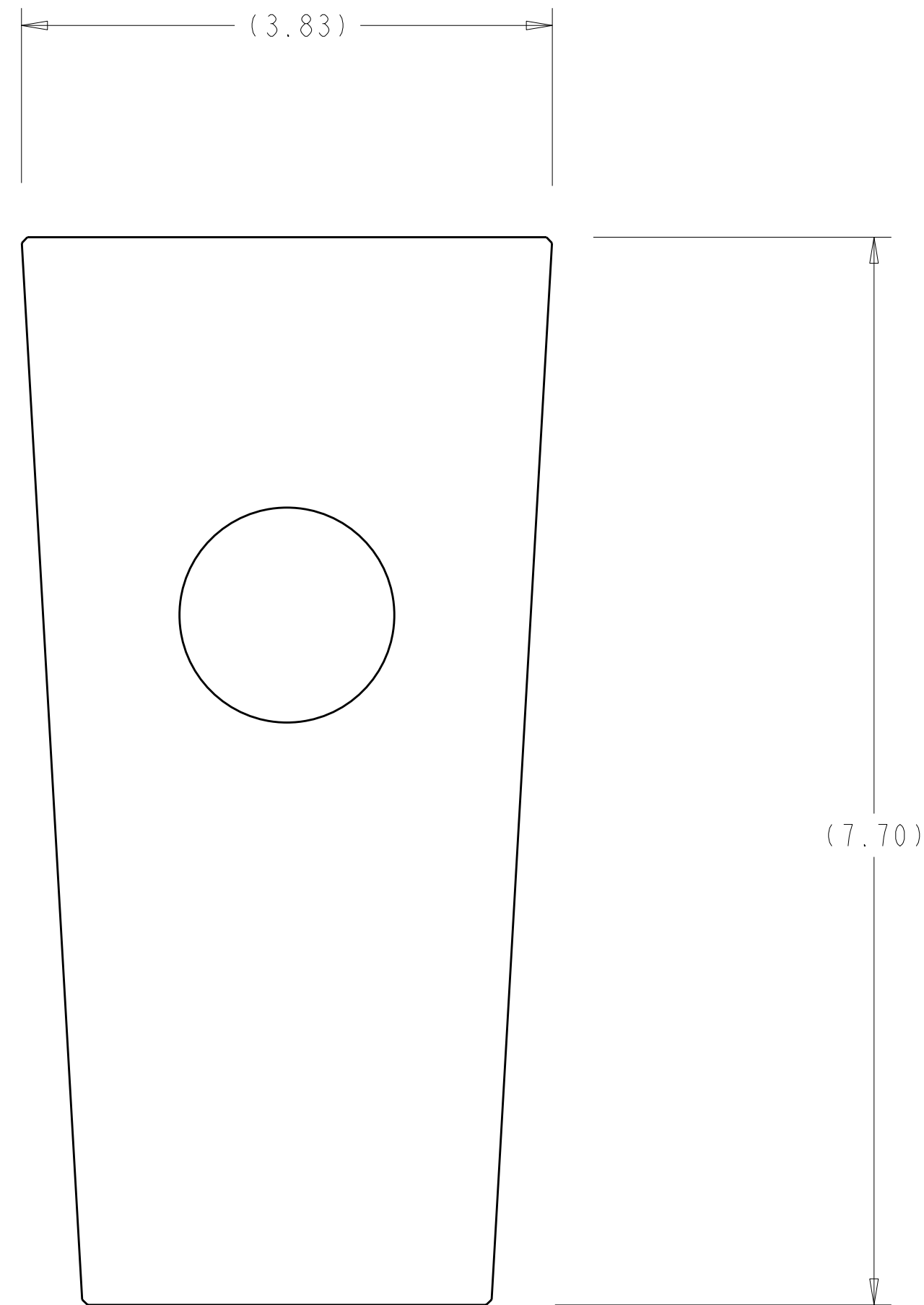
RELEASED FOR FABRICATION / INSTALLATION
PPPL Drafting

NO REPRESENTATION OR WARRANTY, EXPRESSED OR IMPLIED, IS MADE AS TO THE ACCURACY, COMPLETENESS OR USEFULNESS OF THE INFORMATION OR STATEMENTS CONTAINED IN THESE DRAWINGS, OR THAT THE USE OR DISCLOSURE OF ANY INFORMATION, APPARATUS, METHOD OR PROCESS DISCLOSED IN THESE DRAWINGS MAY NOT INFRINGE PRIVATE RIGHTS OF OTHERS. NO LIABILITY IS ASSUMED WITH RESPECT TO THE USE OF, OR FOR DAMAGES RESULTING FROM THE USE OF, ANY INFORMATION, APPARATUS, METHOD OR PROCESS DISCLOSED IN THESE DRAWINGS. DRAWINGS MADE AVAILABLE FOR INFORMATION TO BIDDER ARE NOT TO BE USED FOR OTHER PURPOSES, AND ARE TO BE RETURNED UPON REQUEST OF THE FORWARDING CONTRACTOR.

P THIS DRAWING PRODUCED ON PRO-ENGINEER

SCALE NOTED		DES D WILLIAMSON 02/2008	Oak Ridge National Laboratory managed for the DEPARTMENT OF ENERGY under U.S. GOVERNMENT contract DE-AC05-00OR22725 UT-BATTELLE, LLC, Oak Ridge, Tennessee	
TOLERANCES UNLESS OTHERWISE SPECIFIED		DRW G MCGINNIS 02/2008	UT-BATTELLE	
FRACTIONS		CHK M COLE 02/2008	PROJECT NAME	
XX DECIMALS ±.01		SECT :	NATIONAL COMPACT STELLARATOR EXPERIMENT	
XXX DECIMALS ±.005		DEPT :	SHIM PLATE	
ANGLES ±0°15'		PE :	VERSION NO.	
BREAK SHARP EDGES OR MAX FINISH .125 UNLESS OTHERWISE SPECIFIED		PJ :	PLANT ORNL	
		REG :	BLDG 5700	
		REO :	FL 3	
		PPPL DRFT J SIEGEL 02/2008	SHT OF 2	
			TYPE I	
			CLASS U	
			RELEASE LEVEL	
			Fabrication	
			SEI40-042	
			REV 2	
REV DESCRIPTION BY DATE CHK DEPT DATE PE REG DATE ORNL DOE DATE		DRAWING APPROVALS DATE		
REVISION OR ISSUE PURPOSE		REVISION APPROVAL		

SEI40-042



FULL SIZE TEMPLATE - CREATED FROM DXF FILE SE140-042.DXF

SCALE 1 : 1

NOTE: PART SIZE AND HOLE LOCATIONS MUST NOT DEVIATE FROM DXF FILE BY MORE THAN $\pm .01$

**RELEASED FOR
FABRICATION / INSTALLATION**
PPPL Drafting:

UT-BATTELLE		Oak Ridge National Laboratory managed for the DEPARTMENT OF ENERGY under U. S. GOVERNMENT contract DE-AC05-000R22725 UT-BATTELLE, LLC. Oak Ridge, Tennessee					
<small>PROJECT NAME</small> NATIONAL COMPACT STELLARATOR EXPERIMENT							
SHIM PLATE							
<small>VERSION NO.</small> 1	<small>PLANT</small> ORNL	<small>BLDG</small> 5700	<small>FL</small> 3	<small>SHT OF</small> 2 2	<small>TYPE</small> S	<small>CLASS</small> U	
<small>RELEASE LEVEL</small> Fabrication		SE140-042				<small>REV</small> 2	