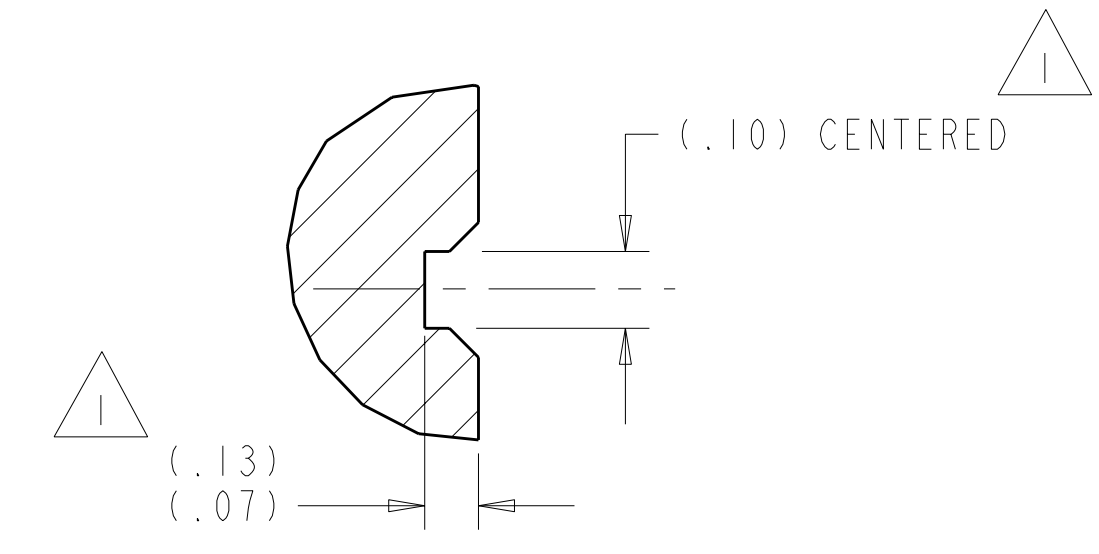
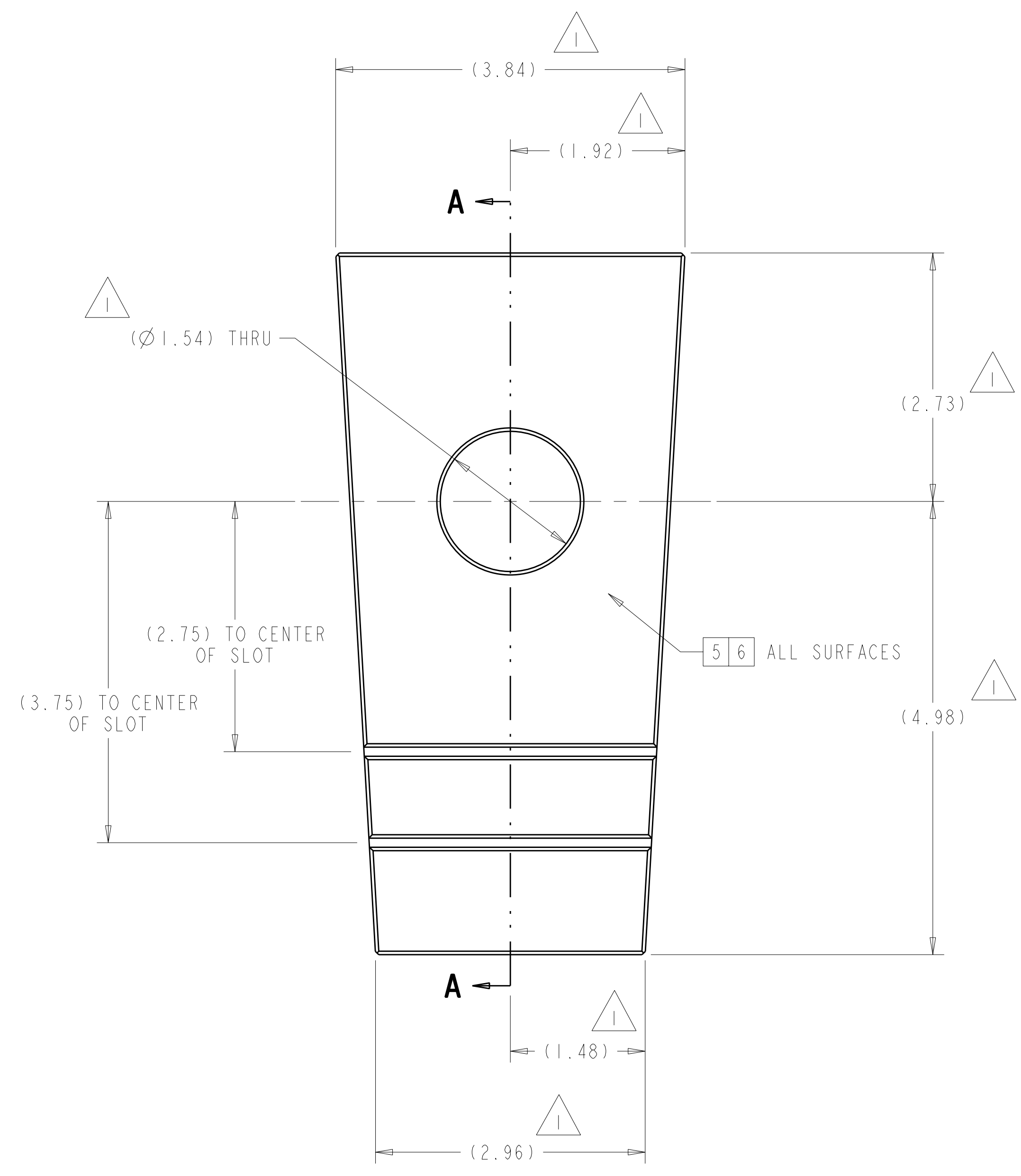


TOTAL 214

AR	.546	.541	.553	.532	-57
AR	.544	.539	.551	.530	-56
AR	.542	.537	.549	.528	-55
I	.540	.535	.547	.526	-54
I	.538	.533	.545	.524	-53
I	.536	.531	.543	.522	-52
I	.534	.529	.541	.520	-51
2	.532	.527	.539	.518	-50
2	.530	.525	.537	.516	-49
3	.528	.523	.535	.514	-48
4	.526	.521	.533	.512	-47
5	.524	.519	.531	.510	-46
6	.522	.517	.529	.508	-45
7	.520	.515	.527	.506	-44
8	.518	.513	.525	.504	-43
9	.516	.511	.523	.502	-42
10	.514	.509	.521	.500	-41
10	.512	.507	.519	.498	-40
11	.510	.505	.517	.496	-39
12	.508	.503	.515	.494	-38
12	.506	.501	.513	.492	-37
12	.504	.499	.511	.490	-36
12	.502	.497	.509	.488	-35
11	.500	.495	.507	.486	-34
11	.498	.493	.505	.484	-33
10	.496	.491	.503	.482	-32
9	.494	.489	.501	.480	-31
8	.492	.487	.499	.478	-30
7	.490	.485	.497	.476	-29
6	.488	.483	.495	.474	-28
5	.486	.481	.493	.472	-27
4	.484	.479	.491	.470	-26
4	.482	.477	.489	.468	-25
3	.480	.475	.487	.466	-24
2	.478	.473	.485	.464	-23
2	.476	.471	.483	.462	-22
1	.474	.469	.481	.460	-21
1	.472	.467	.479	.458	-20
1	.470	.465	.477	.456	-19
AR	.468	.463	.475	.454	-18
AR	.466	.461	.473	.452	-17
AR	.464	.459	.471	.450	-16
AR	.462	.457	.469	.448	-15
AR	.460	.455	.467	.446	-14
AR	.458	.453	.465	.444	-13
AR	.456	.451	.463	.442	-12
AR	.454	.449	.461	.440	-11
AR	.452	.447	.459	.438	-10
AR	.450	.445	.457	.436	-9
AR	.448	.443	.455	.434	-8
AR	.446	.441	.453	.432	-7
AR	.444	.439	.451	.430	-6
AR	.442	.437	.449	.428	-5
AR	.440	.435	.447	.426	-4
AR	.438	.433	.445	.424	-3
AR	.436	.431	.443	.422	-2
AR	.434	.429	.441	.420	-1
QTY REQ'D	DIM A FINISHED SIZE ALUMINA COATED THICKNESS PER SIDE .007 +.003 / -.002		MIN MAX	THICKNESS OF SS ± .001	PART NO
			FINISHED SIZE		

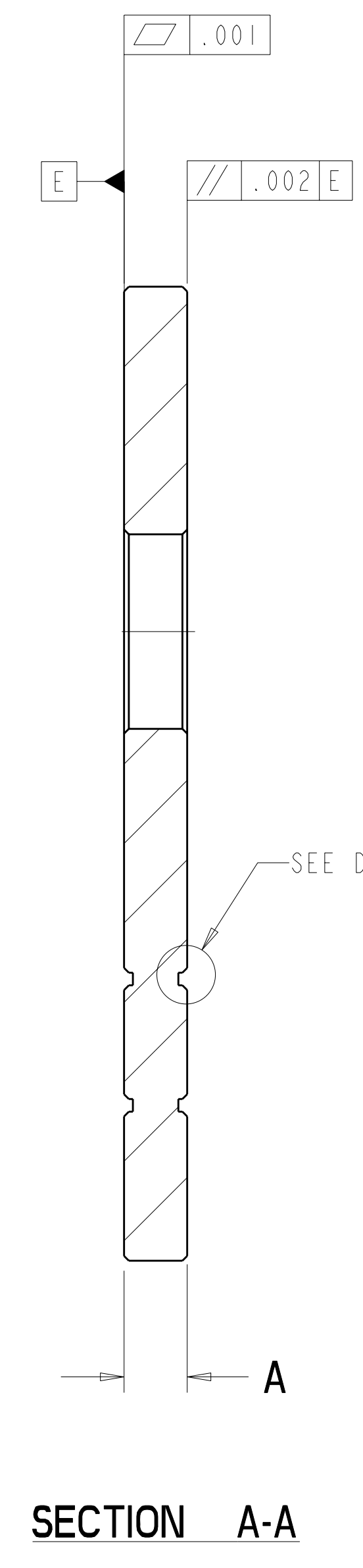


DETAIL B
SCALE 4.00



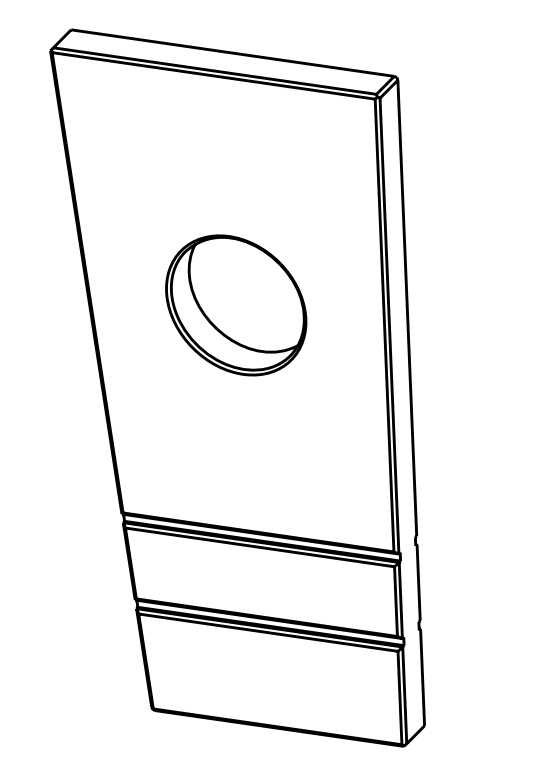
-1 SINGLE HOLE SHIM
SCALE 1.00

NOTE: DIMENSIONS SHOWN ON THIS SHEET APPLY AFTER COATING
SEE SHEET 2 FOR NON-COATED PART



SECTION A-A

- NOTES
- DRAWING PREPARED IN ACCORDANCE WITH ASME Y14.100-2004.
 - INTERPRET DIMENSIONS AND TOLERANCES PER ASME Y14.5M-1994.
 - DIMENSIONS ARE IN INCHES
 - MAGNETIC PERMEABILITY NOT TO EXCEED 1.02 AS TESTED BY A SEVERN INDICATOR. AVAILABLE FROM:
SEVERN ENGINEERING
AUBURN, ALABAMA 36830
WWW.SEVERNGINEERING.COM
 - IF PERMEABILITY SPEC IS NOT ACHIEVED THEN SOLUTION ANNEAL PART PRIOR TO COATING.
 - ALUMINA COATING PER SPECIFICATION NCSX-CSPEC-142-06-00.
 - SURFACE FINISH AFTER COATING 150-500.
SURFACE FINISH ON NON-COATED PART 125 OR LESS UNLESS OTHERWISE SPECIFIED BY COATING SUPPLIER.



ISOMETRIC VIEW
SCALE .50

AR	SEE CHART	SINGLE HOLE SHIM	316 SST [4]	ASTM A240	I
CAGE CODE	PART OR IDENTIFYING NO	NOMENCLATURE OR DESCRIPTION	MATERIAL	SPECIFICATION	FIND NO
SE140-044	SEE CHART	SINGLE HOLE SHIM	PLASMA ALUMINA COATED [5]		
	NEXT ASSEMBLY				

PARTS LIST

RELEASED FOR
FABRICATION / INSTALLATION
PPPL Drafting:

NO REPRESENTATION OR WARRANTY, EXPRESSED OR IMPLIED, IS MADE AS TO THE ACCURACY, COMPLETENESS OR USEFULNESS OF THE INFORMATION OR STATEMENTS CONTAINED IN THESE DRAWINGS, OR THAT THE USE OR DISCLOSURE OF ANY INFORMATION, APPARATUS, METHOD OR PROCESS DISCLOSED IN THESE DRAWINGS MAY NOT INFRINGE PRIVATE RIGHTS OF OTHERS. NO LIABILITY IS ASSUMED WITH RESPECT TO THE USE OF, OR FOR DAMAGES RESULTING FROM THE USE OF, ANY INFORMATION, APPARATUS, METHOD OR PROCESS DISCLOSED IN THESE DRAWINGS. DRAWINGS MADE AVAILABLE FOR INFORMATION TO BIDDER ARE NOT TO BE USED FOR OTHER PURPOSES, AND ARE TO BE RETURNED UPON REQUEST OF THE FORWARDING CONTRACTOR.

P THIS DRAWING PRODUCED ON PRO-ENGINEER

SCALE NOTED		DES D WILLIAMSON 02/08	Oak Ridge National Laboratory managed for the DEPARTMENT OF ENERGY under U.S. GOVERNMENT contract DE-AC05-00OR22725 UT-BATTELLE, LLC, Oak Ridge, Tennessee	
TOLERANCES UNLESS OTHERWISE SPECIFIED		DRW G MCGINNIS 02/08	PROJECT NAME: NATIONAL COMPACT STELLARATOR EXPERIMENT	
FRACTIONS		CHK M COLE	SINGLE HOLE SHIM PLATE	
XX DECIMALS ±.01		SECT :	VERSION NO. 2	
XXX DECIMALS ±.005		DEPT :	PLANT ORNL	
ANGLES ±0°15'		REO :	BLDG 5700	
BREAK SHARP EDGES OR MAX		PPPL DRFT J SIEGEL 02/08	FL 3	
FINISH .125 UNLESS OTHERWISE SPECIFIED		REVISIONS	SHT 1	
REV DESCRIPTION BY DATE CHK DEPT DATE PE REQ DATE ORNL DOE DATE		DATE	OF 2	
REVISION OR ISSUE PURPOSE		DATE	TYPE S	
		DATE	CLASS U	
		DATE	REV I	
		DATE	Fabrication	
		DATE	SE140-048	

8

7

6

5

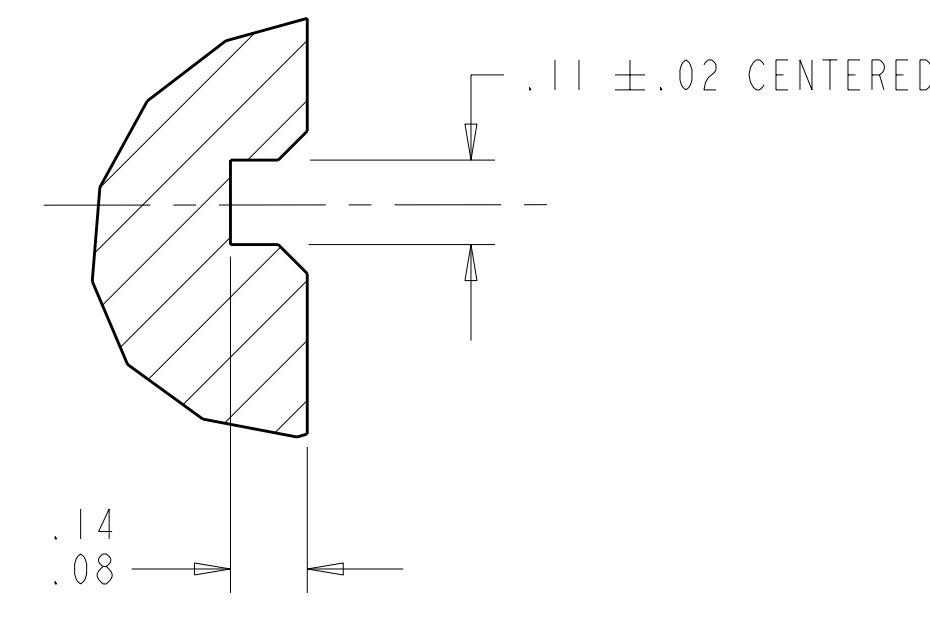
4

3

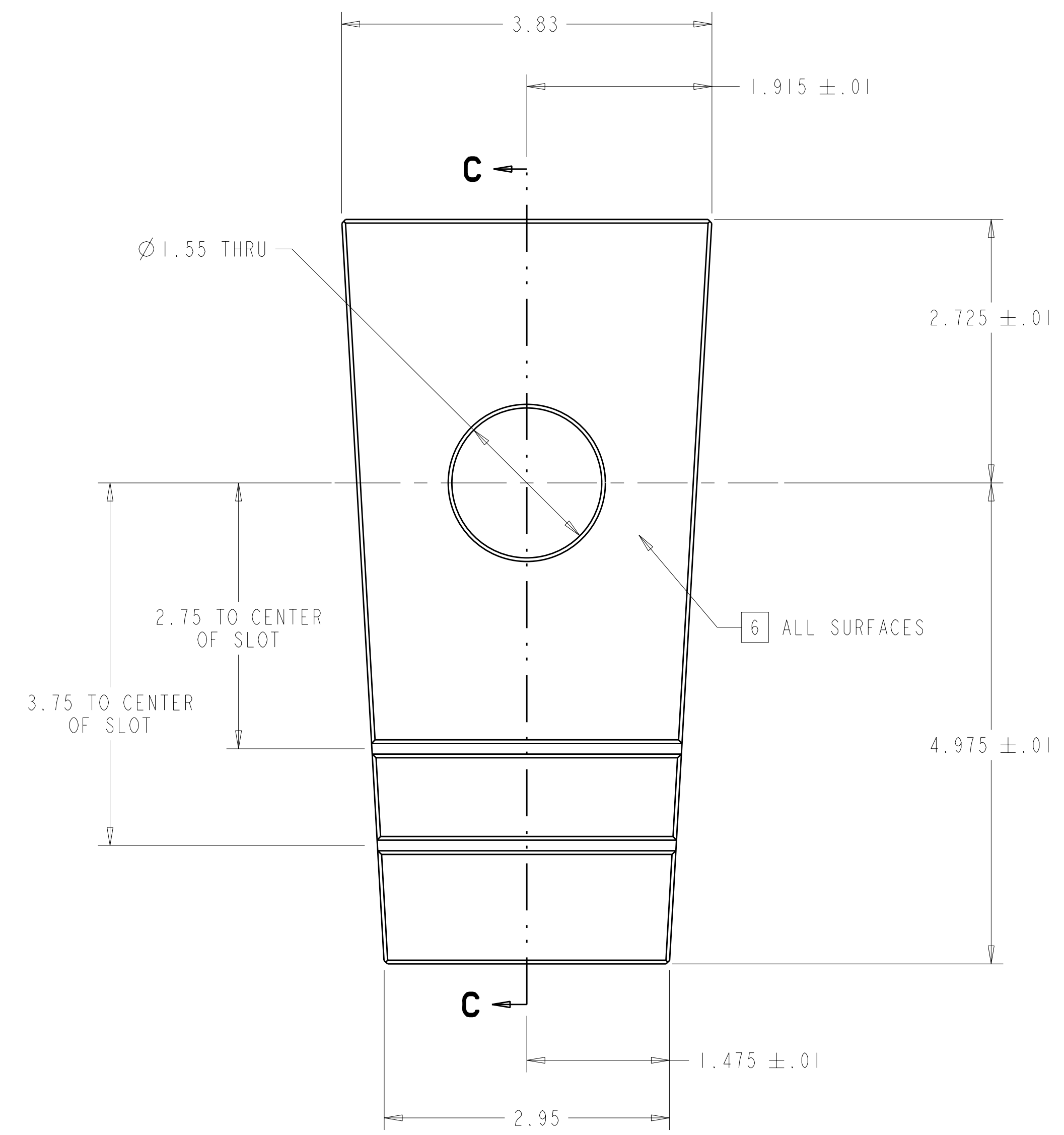
2

1

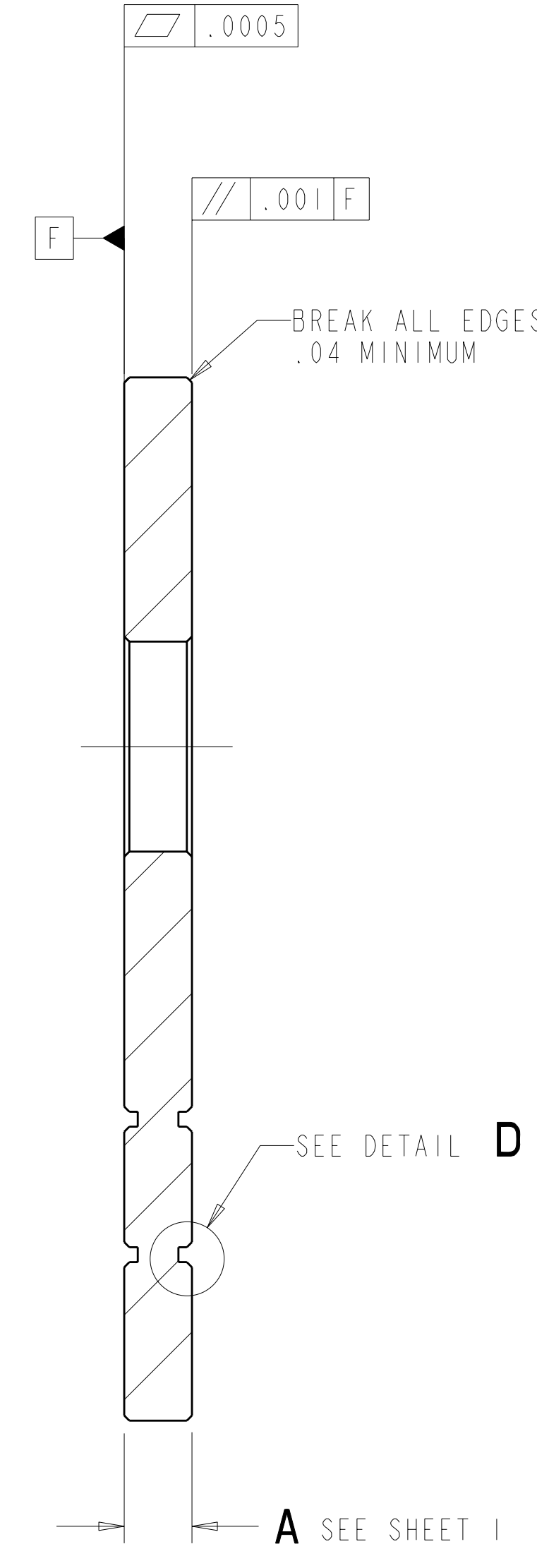
NEXT ASS'Y: 1 FINAL ASS'Y:



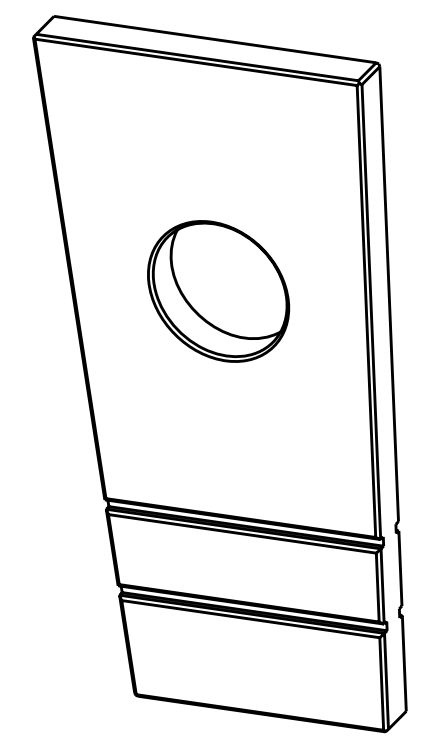
DETAIL D
SCALE 4.00



SCALE 1.00



SECTION C-C



ISOMETRIC VIEW
SCALE 0.50

NOTE: DIMENSIONS SHOWN ON THIS SHEET ARE FOR NON-COATED PART
SEE SHEET 1 FOR ADDITIONAL NOTES AND SPECIFICATIONS

RELEASED FOR FABRICATION / INSTALLATION
PPPL Drafting:

Oak Ridge National Laboratory managed for the DEPARTMENT OF ENERGY under U.S. GOVERNMENT contract DE-AC05-00OR22725 UT-BATTELLE, LLC. Oak Ridge, Tennessee PROJECT NAME:									
UT-BATTELLE									
NATIONAL COMPACT STELLARATOR EXPERIMENT									
SINGLE HOLE SHIM PLATE									
VERSION NO.	PLANT	BLDG	FL	SHT	OF	TYPE	CLASS		
2	ORNL	5700	3	2	2	S	U		
RELEASE LEVEL		SE140-048							
Fabrication									

048-140-SE

A