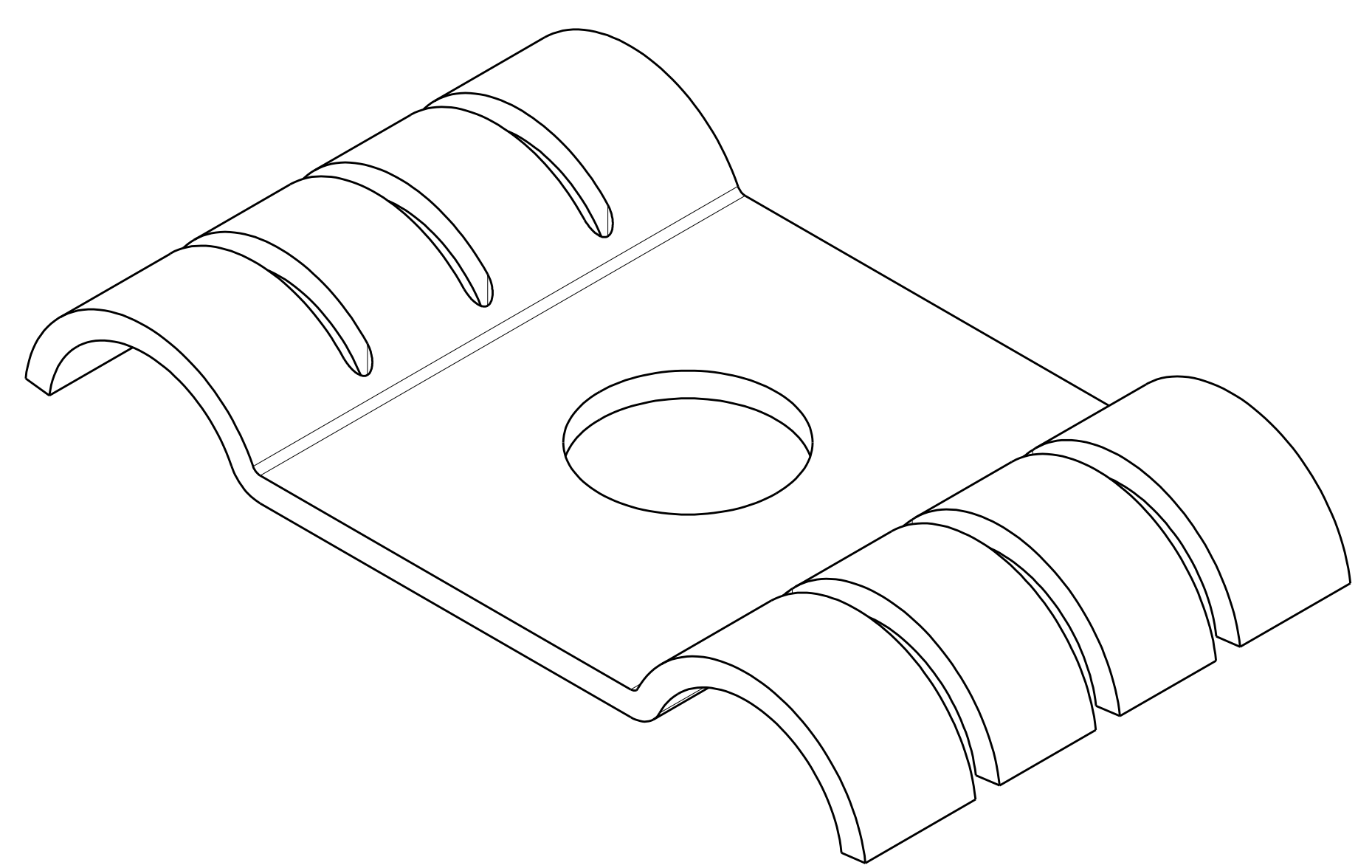
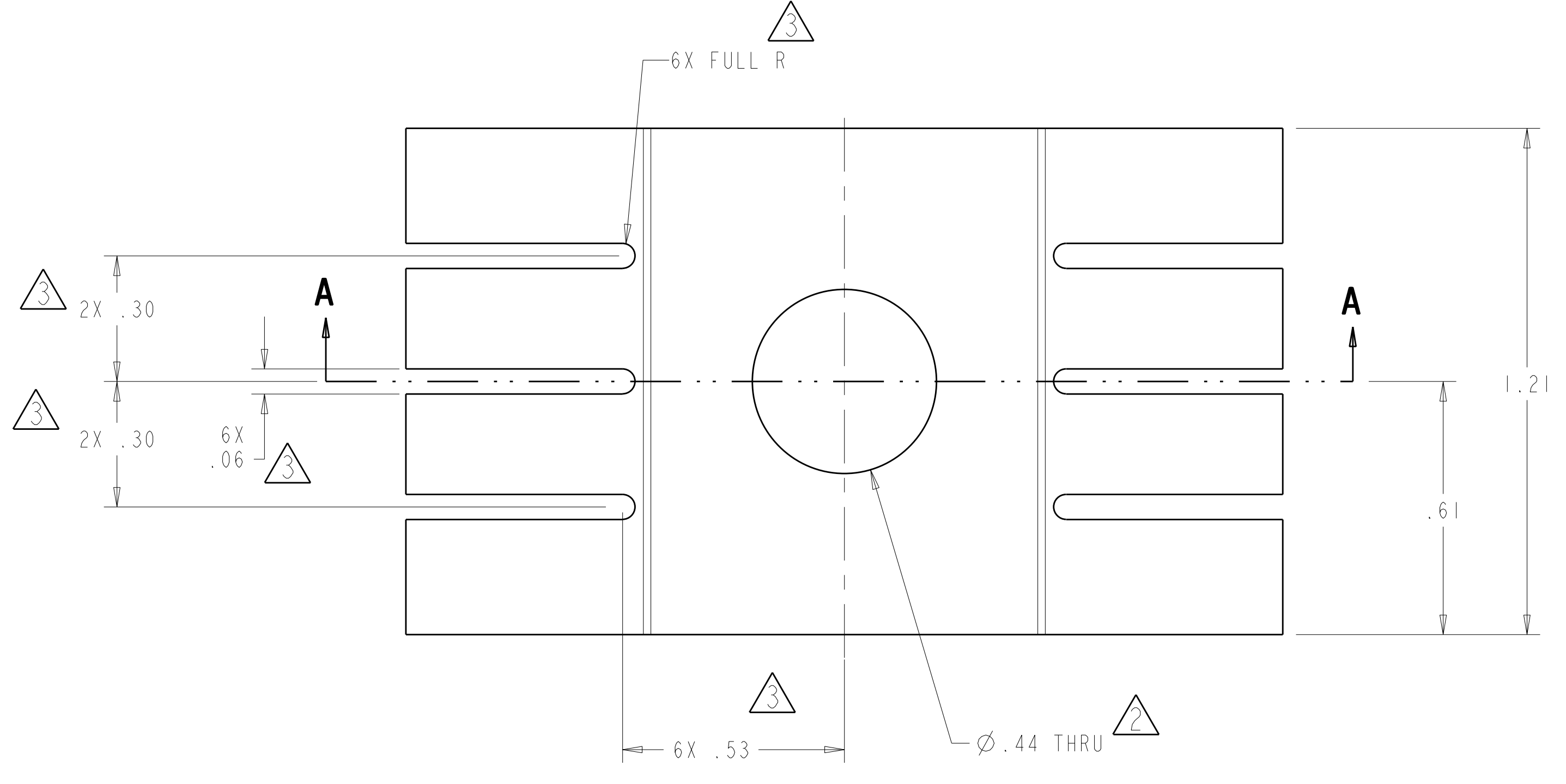
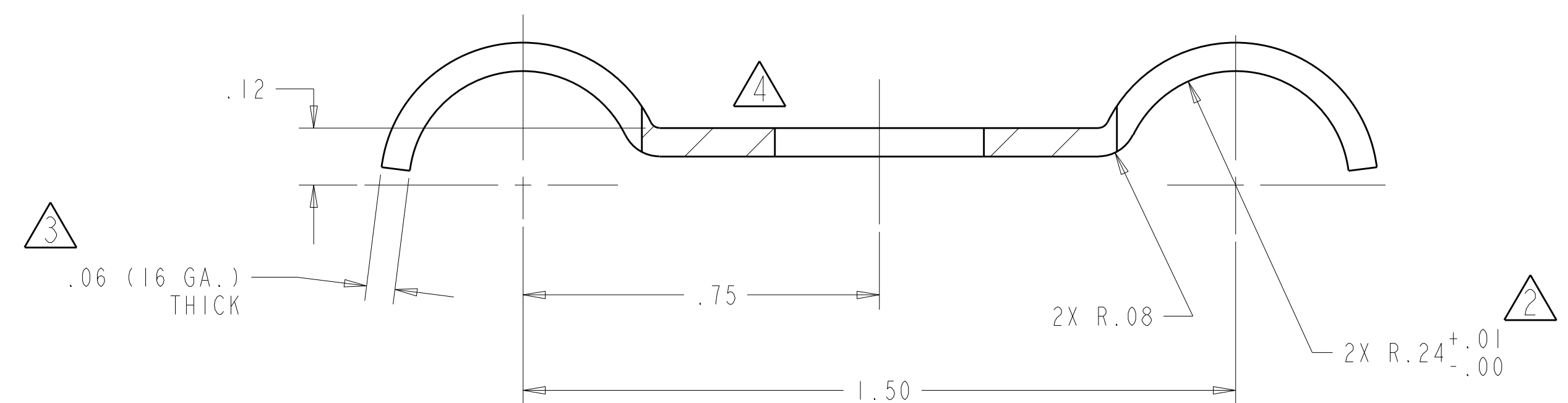


- NOTES
1. INTERPRET DIMENSIONS AND TOLERANCES PER ANSI Y14.5M.
 2. DIMENSIONS ARE IN INCHES.



ISOMETRIC VIEW



SECTION A-A

RELEASED FOR FABRICATION / INSTALLATION
PPPL Drafting:

-1 STRAP
SCALE 4:00

AR	SE123-008	-1	STRAP	316L SST	ASTM A240	I
CAGE CODE	PART OR IDENTIFYING NO	NOMENCLATURE OR DESCRIPTION	MATERIAL	SPECIFICATION	FIND NO	
	← NEXT ASSEMBLY	PARTS LIST				

NO REPRESENTATION OR WARRANTY, EXPRESSED OR IMPLIED, IS MADE AS TO THE ACCURACY, COMPLETENESS OR USEFULNESS OF THE INFORMATION OR STATEMENTS CONTAINED IN THESE DRAWINGS, OR THAT THE USE OR DISCLOSURE OF ANY INFORMATION, APPARATUS, METHOD OR PROCESS DISCLOSED IN THESE DRAWINGS MAY NOT INFRINGE PRIVATE RIGHTS OF OTHERS. NO LIABILITY IS ASSUMED WITH RESPECT TO THE USE OF, OR FOR DAMAGES RESULTING FROM THE USE OF, ANY INFORMATION, APPARATUS, METHOD OR PROCESS DISCLOSED IN THESE DRAWINGS. DRAWINGS MADE AVAILABLE FOR INFORMATION TO BIDDERS ARE NOT TO BE USED FOR OTHER PURPOSES, AND ARE TO BE RETURNED UPON REQUEST OF THE FORWARDING CONTRACTOR.

P THIS DRAWING PRODUCED ON PRO-ENGINEER

REV	DESCRIPTION	BY	DATE	CHK	DEPT	DATE	PE	REG	DATE	ORNL	DOE	DATE
4	ECN NO. 5225, REMOVED DIMPLE	GM	03/07									
3	PER ECN NO. 5130	GWM	01/16/04	PLG		05/06						
2	PER ECN NO. 5038	MTB	08/31/03	MJC		12/05						
1	PER ECN NO. 5003	MJC	07/23/04	PLG								

SCALE NOTED	DES: P GORANSON 4-22-05	UT-BATTELLE Oak Ridge National Laboratory managed for the DEPARTMENT OF ENERGY under U.S. GOVERNMENT contract DE-AC05-00OR22725 UT-BATTELLE, LLC, Oak Ridge, Tennessee PRODUCT NAME NATIONAL COMPACT STELLARATOR EXPERIMENT VACUUM VESSEL HEATING/COOLING STRAP DETAIL
TOLERANCES UNLESS OTHERWISE SPECIFIED	DRW: G MCGINNIS 4-22-05	
FRACTIONS	CHK: G.H. JONES 05-04-05	
XX DECIMALS ±.01	DEPT: :	
XXX DECIMALS ±.005	PE: :	VERSION NO.:
ANGLES ±0°15'	CR: :	PLANT ORNL
BREAK SHARP EDGES .06 MAX	PJ: :	BLDG 5700
FINISH .125 UNLESS OTHERWISE SPECIFIED	RED: :	FL 3
	PPPL DRFT: J. SIEGEL 05/06	SHT OF 1
		TYPE I
		CLASS U
		REV 4
		RELEASE LEVEL Fabrication
		SE123-054

B SE123-054