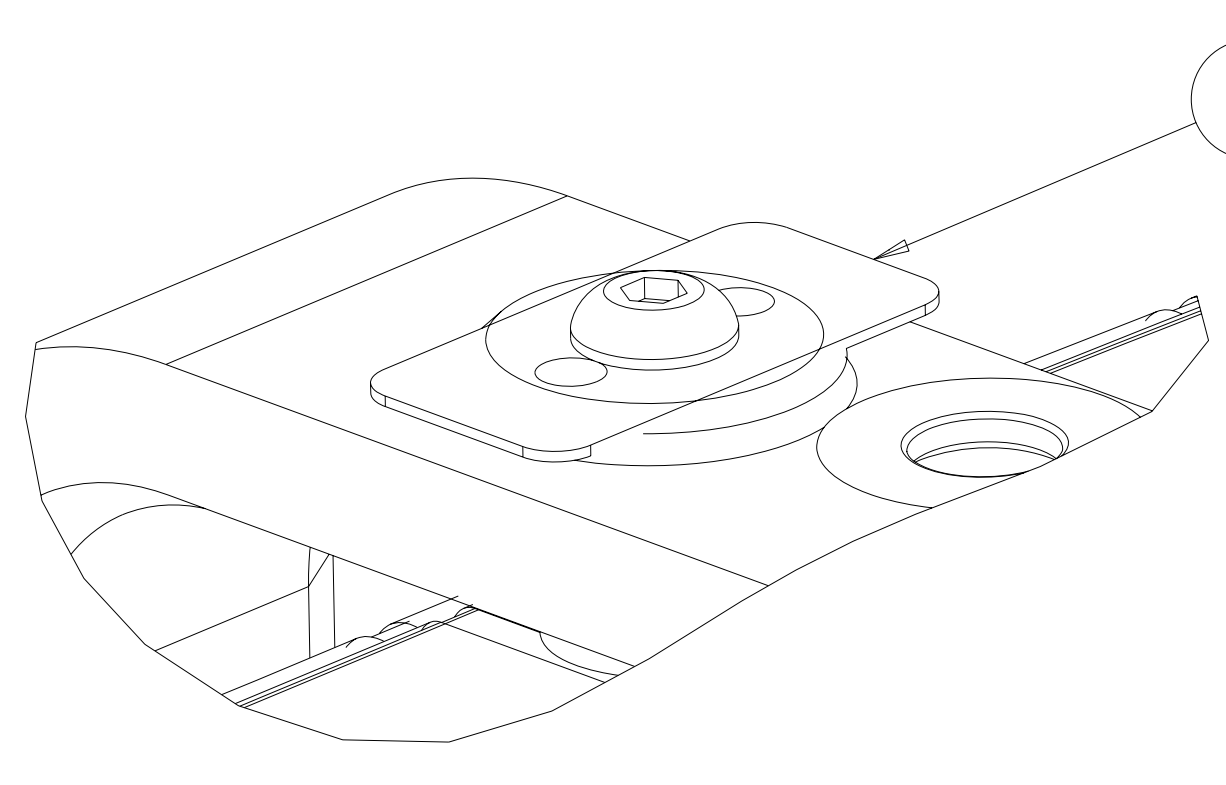
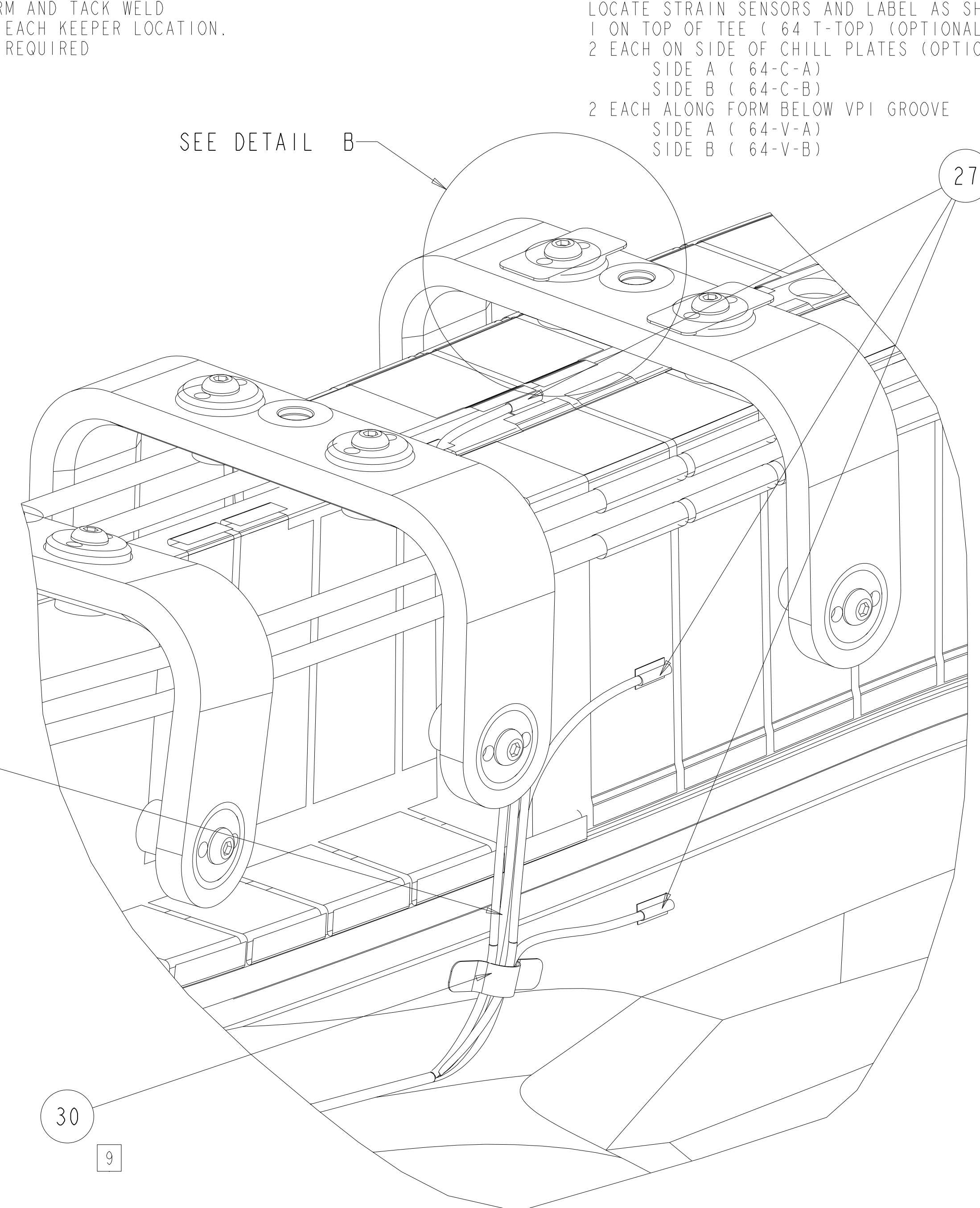


**CUT-AWAY VIEW SHOWING WINDING  
 INSTALLATION SEQUENCE (SIDE B)**  
 SCALE 0.500



**DETAIL B**  
 SCALE 2.00

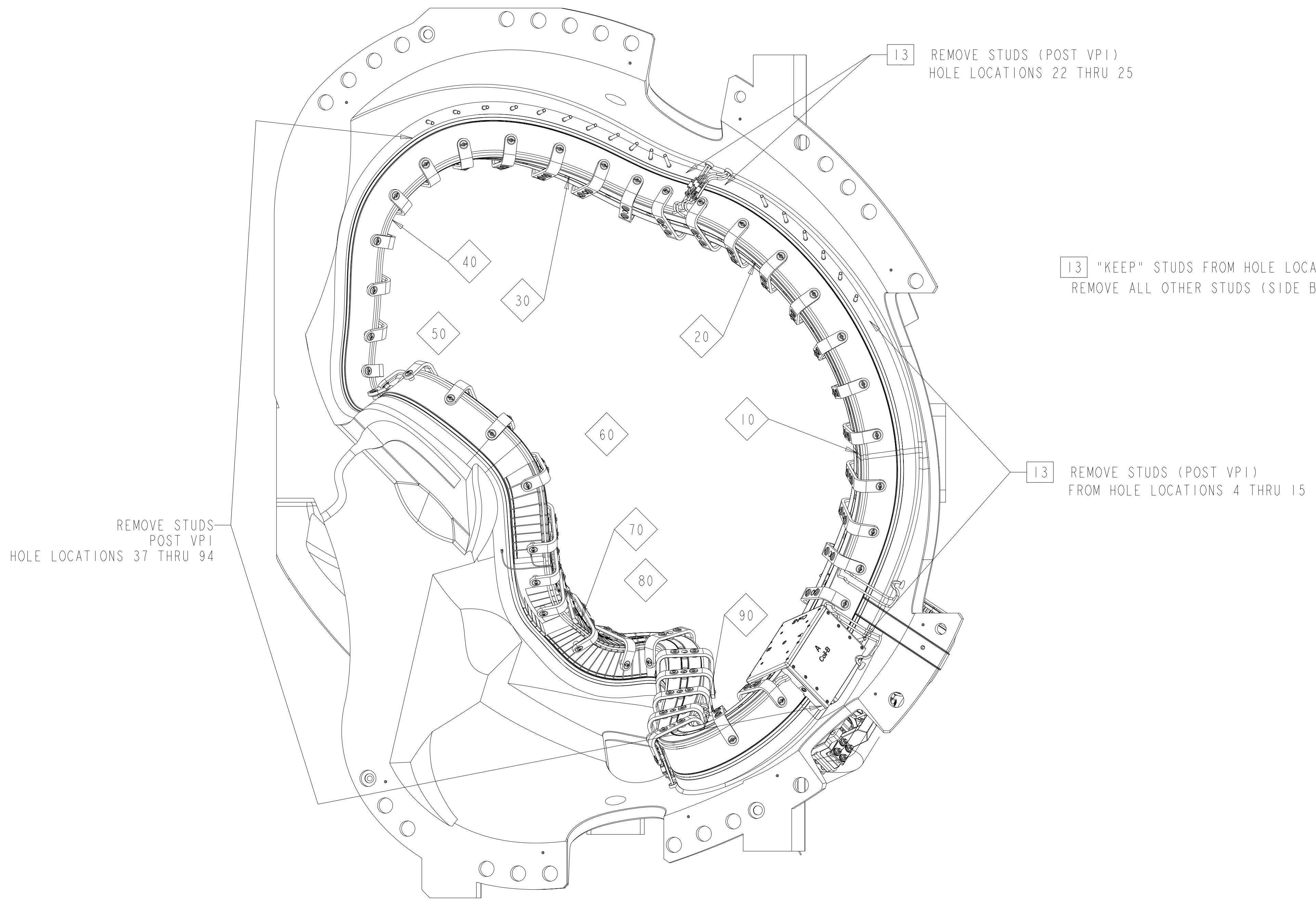


**DETAIL A**  
 SCALE 1.00

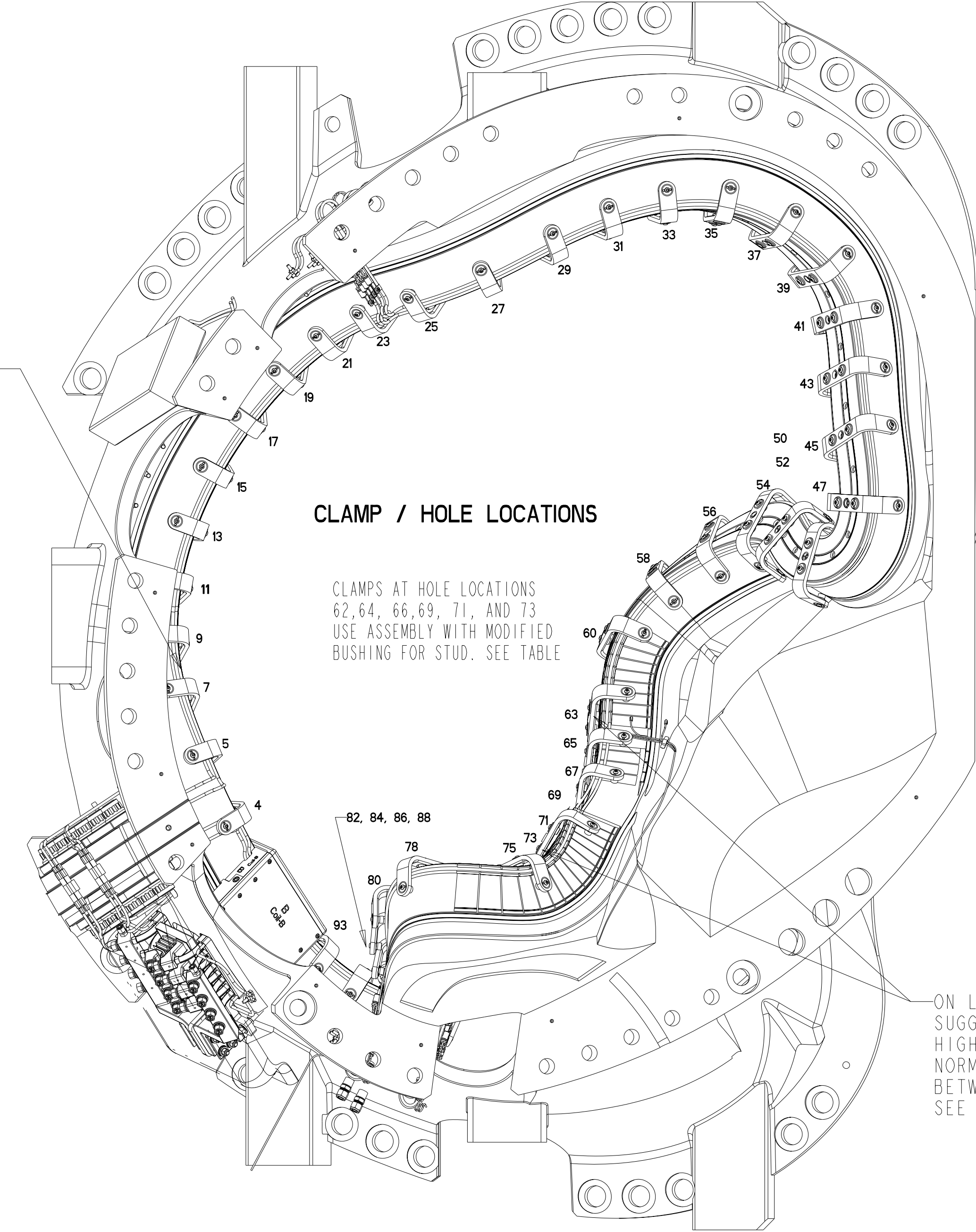
ON LAST FIELD PERIOD  
 LOCATE STRAIN SENSORS AND LABEL AS SHOWN  
 1 ON TOP OF TEE ( 64 T-TOP) (OPTIONAL)  
 2 EACH ON SIDE OF CHILL PLATES (OPTIONAL)  
 SIDE A ( 64-C-A)  
 SIDE B ( 64-C-B)  
 2 EACH ALONG FORM BELOW VPI GROOVE  
 SIDE A ( 64-V-A)  
 SIDE B ( 64-V-B)

STRAIN GAGE CHART			
NO.	LABEL	LOCATION	LEADS LENGTH
1	64-T-TOP	HOLE 64 (OPTIONAL) TOP OF "TEE"	28"
2	64-C-A	HOLE 64 (OPTIONAL) SIDE "A"	28"
3	64-C-B	HOLE 64 (OPTIONAL) SIDE "B"	28"
4	64-V-A	HOLE 64 UNDER VPI GROOVE SIDE "A"	28"
5	64-V-B	HOLE 64 UNDER VPI GROOVE SIDE "B"	28"

CLAMP CHART		
HOLE NO.	CLAMP ASSEMBLY (SE142B-010)	CLAMP #
03	SE142C-270	1
05	SE142C-270	2
07	SE142C-270	3
09	SE142C-270	4
11	SE142C-270	5
13	SE142C-270	6
15	SE142C-270	7
17	SE142C-270	8
19	SE142C-270	9
21	SE142C-270	10
23	SE142C-270	11
25	SE142C-270	12
27	SE142C-270	13
29	SE142C-270	14
31	SE142C-270	15
33	SE142C-270	16
35	SE142C-270	17
37	SE142C-270	18
39	SE142C-270	19
41	SE142C-270	20
43	SE142C-270	21
45	SE142C-270	22
47	SE142C-270	23
50	SE142C-270	24
52	SE142C-270	25
54	SE142C-270	26
56	SE142C-270	27
58	SE142C-270	28
60	SE142C-303	29
62	SE142C-307	30
64	SE142C-307	31
66	SE142C-307	32
69	SE142C-307	33
71	SE142C-307	34
73	SE142C-307	35
75	SE142C-270	36
78	SE142C-270	37
80	SE142C-270	38
82	SE142C-270	39
84	SE142C-270	40
86	SE142C-270	41
88	SE142C-270	42
91	SE142C-270	43
93	SE142C-270	44



**SIDE "A" VIEW**



**SIDE "B" VIEW**

ON LAST FIELD PERIOD  
 SUGGESTED STRESS SENSOR LOCATION  
 HIGH STRESS REGION ON PLANE  
 NORMAL TO THE WINDING LAW  
 BETWEEN HOLE LOCATIONS 63 - 73  
 SEE DETAIL "A"

RELEASED FOR  
 FABRICATION / INSTALLATION  
 PPLI Drafting

Oak Ridge National Laboratory  
 managed for the DEPARTMENT OF ENERGY under  
 U.S. GOVERNMENT contract DE-AC05-00OR22725  
 UT-BATTELLE, LLC, Oak Ridge, Tennessee  
 PROJECT NAME

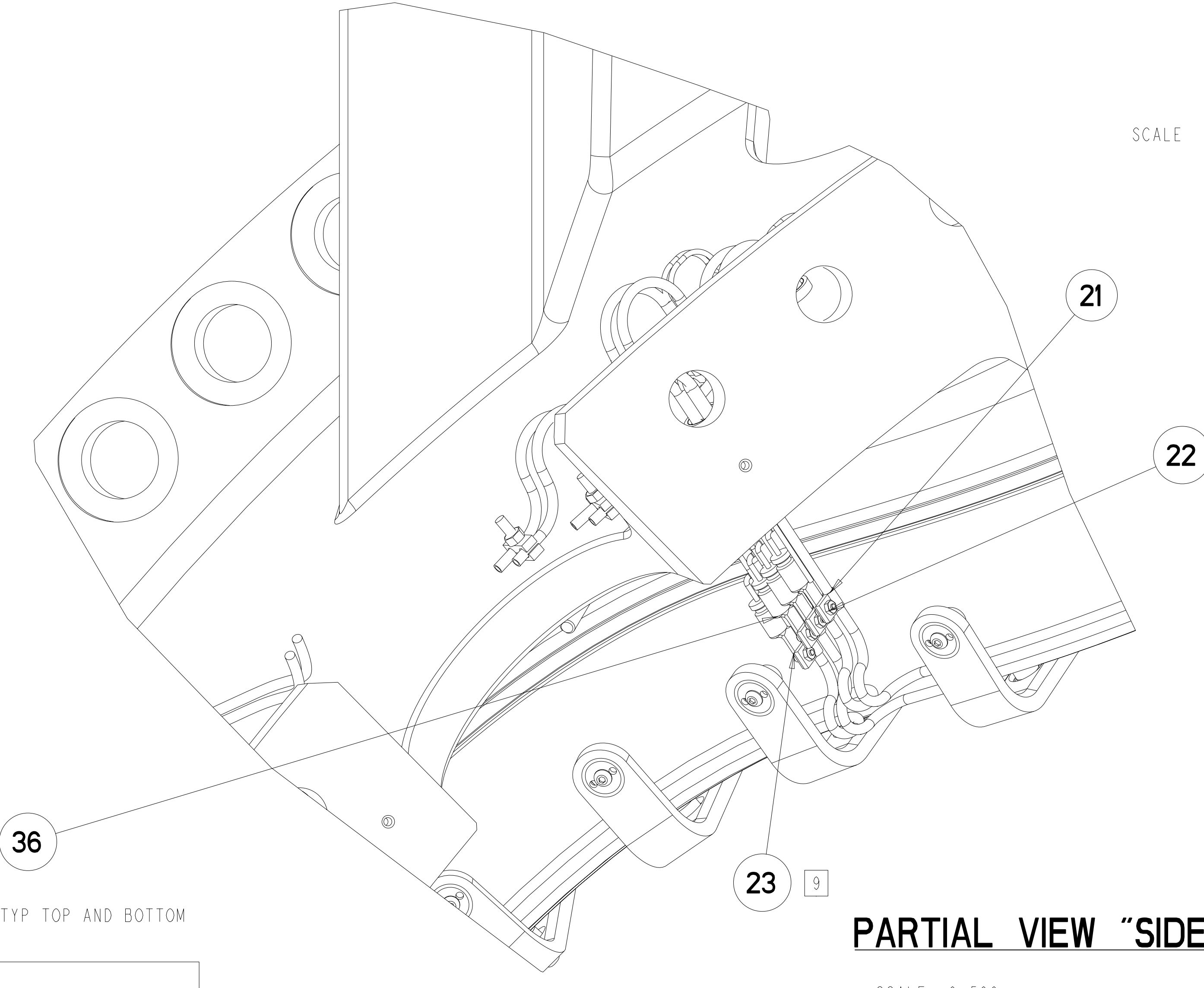
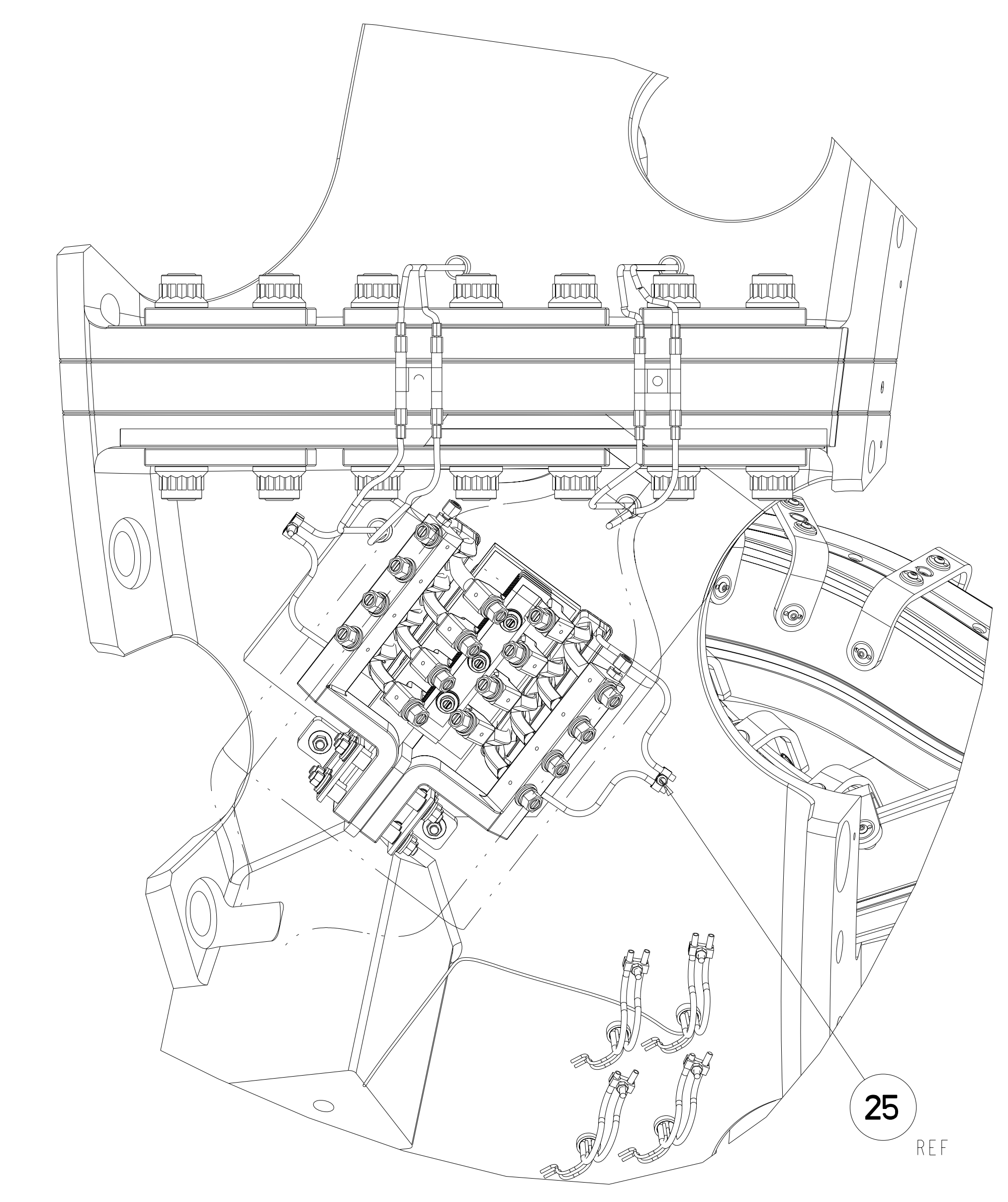
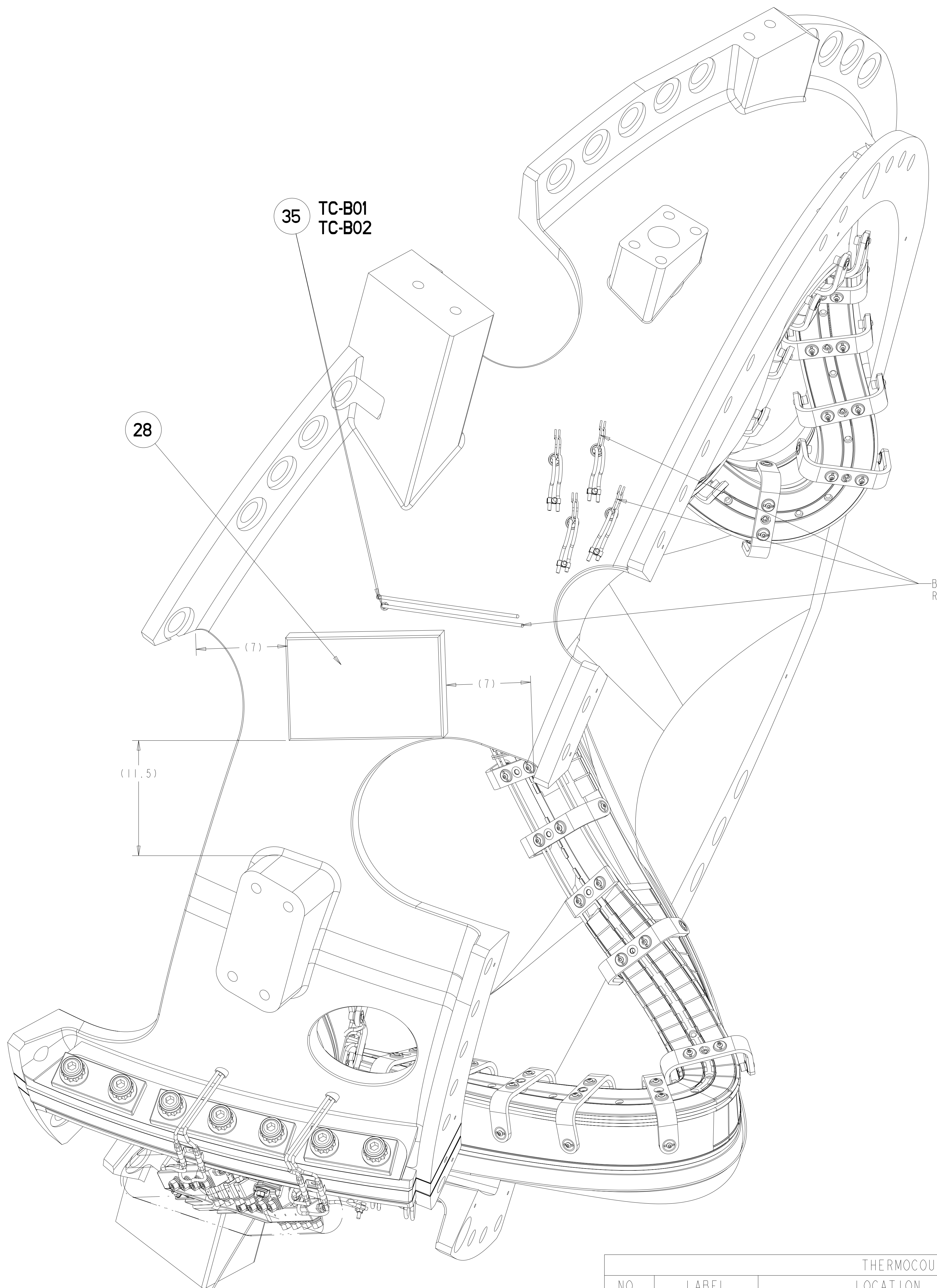
**NATIONAL COMPACT STELLARATOR EXPERIMENT**

**MCWF TYPE "B"  
 FULL COIL ASSEMBLY**

VERSION NO.	PLANT	BLDG	FL	SHT OF	TYPE	CLASS
79	X-10	5700	3	2 3	S	U
RELEASE LEVEL						
Fabrication		SE140-102				
						0

201 SE140-102





- TC-B11 TC-B03
  - TC-B12 TC-B04
  - TC-B13 TC-B05
  - TC-B14 TC-B06
  - TC-B15 TC-B07
  - TC-B16 TC-B08
  - TC-B17 TC-B09
  - TC-B18 TC-B10
- TYP TOP AND BOTTOM

PARTIAL VIEW "SIDE B"

SCALE 0.250

SCALE 0.250

SCALE 0.500

THERMOCOUPLE CHART			
NO.	LABEL	LOCATION	LEAD LENGTH TO BUNDLE @ (FT)*
1	TC-B01	INBOARD T/C HOLE	27'
2	TC-B02	INBOARD T/C HOLE (DUPLICATE)	27'
3	TC-B03	COOLING LINE OUTLET 1	29'
4	TC-B04	COOLING LINE OUTLET 2	29'
5	TC-B05	COOLING LINE OUTLET 3	29'
6	TC-B06	COOLING LINE OUTLET 4	29'
7	TC-B07	COOLING LINE OUTLET 5	29'
8	TC-B08	COOLING LINE OUTLET 6	29'
9	TC-B09	COOLING LINE OUTLET 7	29'
10	TC-B10	COOLING LINE OUTLET 8	29'
11	TC-B11	COOLING LINE OUTLET 9	29'
12	TC-B12	COOLING LINE OUTLET 10	29'
13	TC-B13	COOLING LINE OUTLET 11	29'
14	TC-B14	COOLING LINE OUTLET 12	29'
15	TC-B15	COOLING LINE OUTLET 13	29'
16	TC-B16	COOLING LINE OUTLET 14	29'
17	TC-B17	COOLING LINE OUTLET 15	29'
18	TC-B18	COOLING LINE OUTLET 16	29'

\*FIELD FIT AND LABEL

RELEASED FOR FABRICATION / INSTALLATION  
 PPPL Drafting

Oak Ridge National Laboratory  
 managed for the DEPARTMENT OF ENERGY under  
 U.S. GOVERNMENT contract DE-AC05-00OR22725  
 UT-BATTELLE, LLC, Oak Ridge, Tennessee

**NATIONAL COMPACT STELLARATOR EXPERIMENT**

MCWF TYPE "B"  
 FULL COIL ASSEMBLY

VERSION NO. 77	PLANT X-10	BLDG 5700	FL 3	SHT OF 3	TYPE S	CLASS U
RELEASE LEVEL Fabrication	SEI40-102		1		0	

201 SEI40-102

A