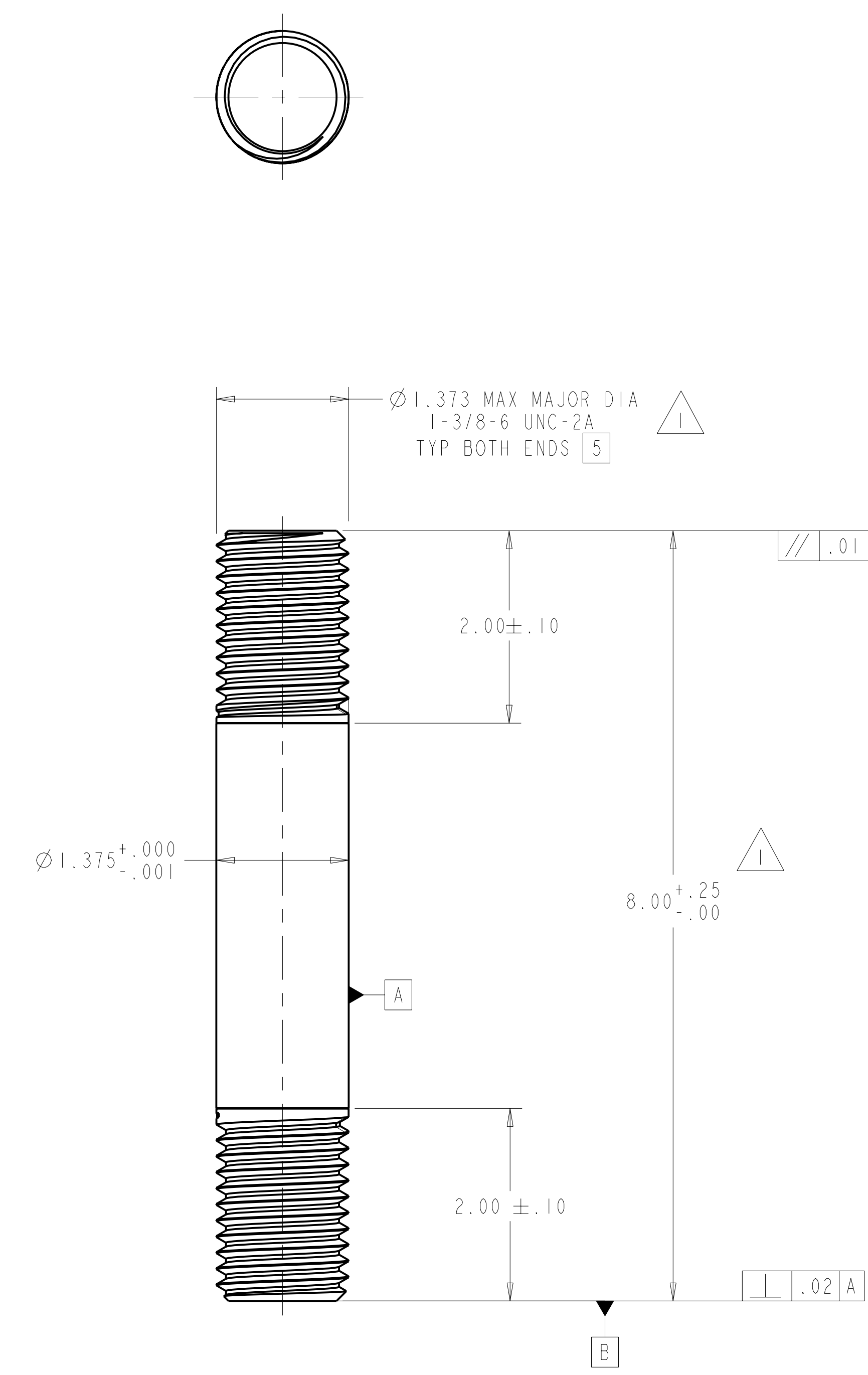
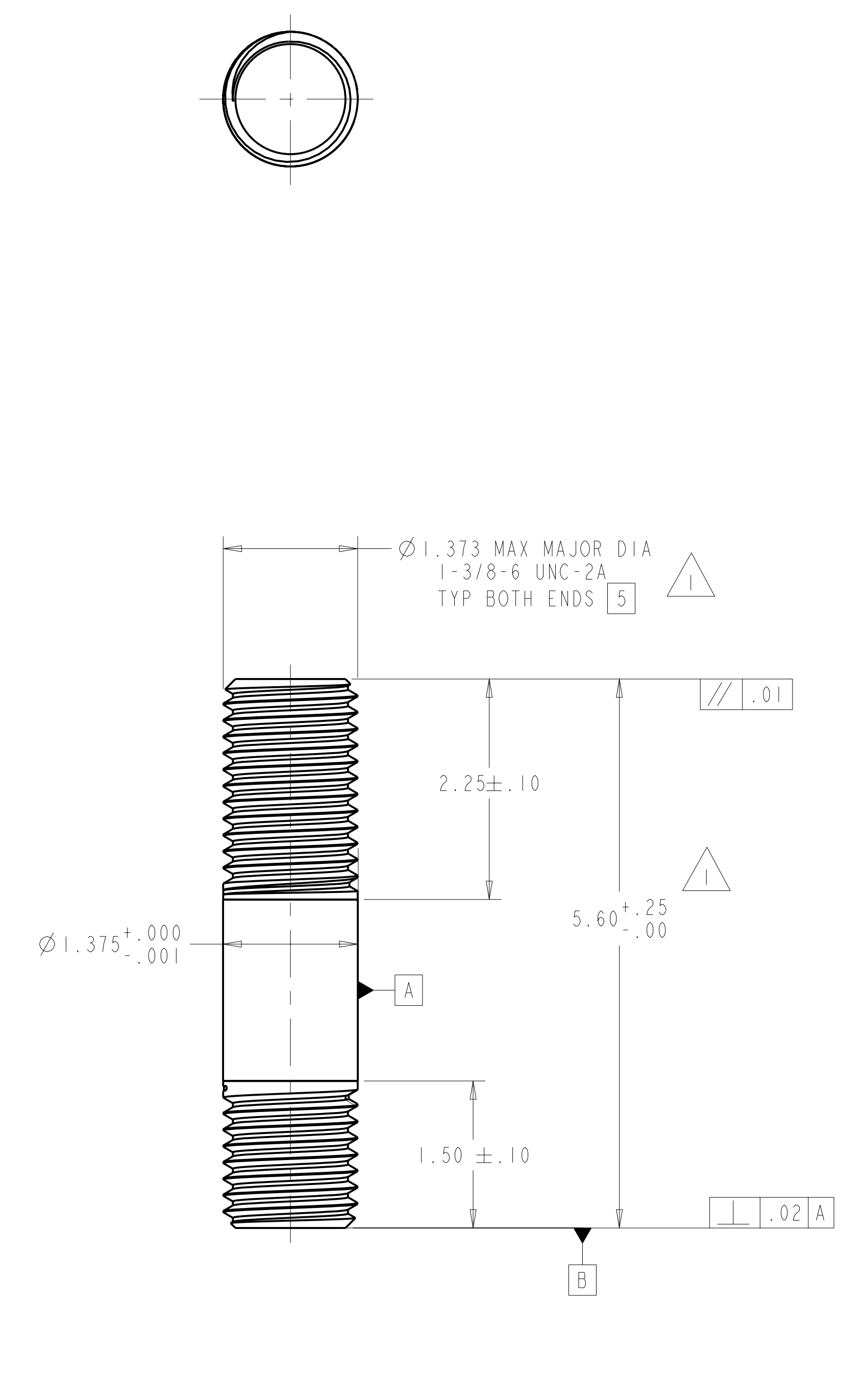


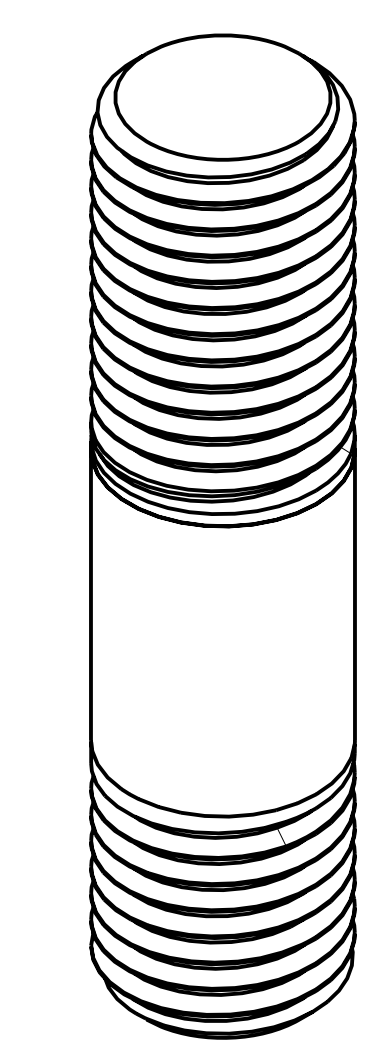
- NOTES
- DRAWING PREPARED IN ACCORDANCE WITH ASME Y14.100-2004.
 - INTERPRET DIMENSIONS AND TOLERANCES PER ASME Y14.5M-1994.
 - DIMENSIONS ARE IN INCHES
 - MAGNETIC PERMEABILITY NOT TO EXCEED 1.02 AS TESTED BY A SEVERN INDICATOR. AVAILABLE FROM:
SEVERN ENGINEERING
AUBURN, ALABAMA 36830
WWW.SEVERNENGINEERING.COM
- 5 THREADS TO BE ROLLED AFTER HEAT TREAT WITH MAXIMUM OF TWO INCOMPLETE THREADS PER SAE-8879D.



-1 MCWF FLANGE STUD
SCALE 1.00



-2 MCWF FLANGE STUD
SCALE 1.00



ISOMETRIC VIEW
SCALE 1.00

**RELEASED FOR
FABRICATION / INSTALLATION**
PPPL Drafting:

REV	DESCRIPTION	BY	DATE	CHK	DEPT	DATE	PE	REQ	DATE	ORNL	DOE	DATE
1	PER ECN # 5244	GM	04/01	MJC			DEW					
0	ORIGINAL ISSUE	GM	02/01									

REV	DESCRIPTION	BY	DATE	CHK	DEPT	DATE	PE	REQ	DATE	ORNL	DOE	DATE
1	PER ECN # 5244	GM	04/01	MJC			DEW					
0	ORIGINAL ISSUE	GM	02/01									

REV	DESCRIPTION	BY	DATE	CHK	DEPT	DATE	PE	REQ	DATE	ORNL	DOE	DATE
1	PER ECN # 5244	GM	04/01	MJC			DEW					
0	ORIGINAL ISSUE	GM	02/01									

REV	DESCRIPTION	BY	DATE	CHK	DEPT	DATE	PE	REQ	DATE	ORNL	DOE	DATE
1	PER ECN # 5244	GM	04/01	MJC			DEW					
0	ORIGINAL ISSUE	GM	02/01									

REV	DESCRIPTION	BY	DATE	CHK	DEPT	DATE	PE	REQ	DATE	ORNL	DOE	DATE
1	PER ECN # 5244	GM	04/01	MJC			DEW					
0	ORIGINAL ISSUE	GM	02/01									

REV	DESCRIPTION	BY	DATE	CHK	DEPT	DATE	PE	REQ	DATE	ORNL	DOE	DATE
1	PER ECN # 5244	GM	04/01	MJC			DEW					
0	ORIGINAL ISSUE	GM	02/01									

REV	DESCRIPTION	BY	DATE	CHK	DEPT	DATE	PE	REQ	DATE	ORNL	DOE	DATE
1	PER ECN # 5244	GM	04/01	MJC			DEW					
0	ORIGINAL ISSUE	GM	02/01									

REV	DESCRIPTION	BY	DATE	CHK	DEPT	DATE	PE	REQ	DATE	ORNL	DOE	DATE
1	PER ECN # 5244	GM	04/01	MJC			DEW					
0	ORIGINAL ISSUE	GM	02/01									

REV	DESCRIPTION	BY	DATE	CHK	DEPT	DATE	PE	REQ	DATE	ORNL	DOE	DATE
1	PER ECN # 5244	GM	04/01	MJC			DEW					
0	ORIGINAL ISSUE	GM	02/01									

REV	DESCRIPTION	BY	DATE	CHK	DEPT	DATE	PE	REQ	DATE	ORNL	DOE	DATE
1	PER ECN # 5244	GM	04/01	MJC			DEW					
0	ORIGINAL ISSUE	GM	02/01									

REV	DESCRIPTION	BY	DATE	CHK	DEPT	DATE	PE	REQ	DATE	ORNL	DOE	DATE
1	PER ECN # 5244	GM	04/01	MJC			DEW					
0	ORIGINAL ISSUE	GM	02/01									

REV	DESCRIPTION	BY	DATE	CHK	DEPT	DATE	PE	REQ	DATE	ORNL	DOE	DATE
1	PER ECN # 5244	GM	04/01	MJC			DEW					
0	ORIGINAL ISSUE	GM	02/01									

REV	DESCRIPTION	BY	DATE	CHK	DEPT	DATE	PE	REQ	DATE	ORNL	DOE	DATE
1	PER ECN # 5244	GM	04/01	MJC			DEW					
0	ORIGINAL ISSUE	GM	02/01									

REV	DESCRIPTION	BY	DATE	CHK	DEPT	DATE	PE	REQ	DATE	ORNL	DOE	DATE
1	PER ECN # 5244	GM	04/01	MJC			DEW					
0	ORIGINAL ISSUE	GM	02/01									

REV	DESCRIPTION	BY	DATE	CHK	DEPT	DATE	PE	REQ	DATE	ORNL	DOE	DATE
1	PER ECN # 5244	GM	04/01	MJC			DEW					
0	ORIGINAL ISSUE	GM	02/01									

REV	DESCRIPTION	BY	DATE	CHK	DEPT	DATE	PE	REQ	DATE	ORNL	DOE	DATE
1	PER ECN # 5244	GM	04/01	MJC			DEW					
0	ORIGINAL ISSUE	GM	02/01									

REV	DESCRIPTION	BY	DATE	CHK	DEPT	DATE	PE	REQ	DATE	ORNL	DOE	DATE
1	PER ECN # 5244	GM	04/01	MJC			DEW					
0	ORIGINAL ISSUE	GM	02/01									

REV	DESCRIPTION	BY	DATE	CHK	DEPT	DATE	PE	REQ	DATE	ORNL	DOE	DATE
1	PER ECN # 5244	GM	04/01	MJC			DEW					
0	ORIGINAL ISSUE	GM	02/01									

REV	DESCRIPTION	BY	DATE	CHK	DEPT	DATE	PE	REQ	DATE	ORNL	DOE	DATE
1	PER ECN # 5244	GM	04/01	MJC			DEW					
0	ORIGINAL ISSUE	GM	02/01									

REV	DESCRIPTION	BY	DATE	CHK	DEPT	DATE	PE	REQ	DATE	ORNL	DOE	DATE
1	PER ECN # 5244	GM	04/01	MJC			DEW					
0	ORIGINAL ISSUE	GM	02/01									

REV	DESCRIPTION	BY	DATE	CHK	DEPT	DATE	PE	REQ	DATE	ORNL	DOE	DATE
1	PER ECN # 5244	GM	04/01	MJC			DEW					
0	ORIGINAL ISSUE	GM	02/01									

REV	DESCRIPTION	BY	DATE	CHK	DEPT	DATE	PE	REQ	DATE	ORNL	DOE	DATE
1	PER ECN # 5244	GM	04/01	MJC			DEW					
0	ORIGINAL ISSUE	GM	02/01									

REV	DESCRIPTION	BY	DATE	CHK	DEPT	DATE	PE	REQ	DATE	ORNL	DOE	DATE
1	PER ECN # 5244	GM	04/01	MJC			DEW					
0	ORIGINAL ISSUE	GM	02/01									

REV	DESCRIPTION	BY	DATE	CHK	DEPT	DATE	PE	REQ	DATE	ORNL	DOE	DATE
1	PER ECN # 5244	GM	04/01	MJC			DEW					
0	ORIGINAL ISSUE	GM	02/01									

REV	DESCRIPTION	BY	DATE	CHK	DEPT	DATE	PE	REQ	DATE	ORNL	DOE	DATE
1	PER ECN # 5244	GM	04/01	MJC			DEW					
0	ORIGINAL ISSUE	GM	02/01									

REV	DESCRIPTION	BY	DATE	CHK	DEPT	DATE	PE	REQ	DATE	ORNL	DOE	DATE
1	PER ECN # 5244	GM	04/01	MJC			DEW					
0	ORIGINAL ISSUE	GM	02/01									

REV	DESCRIPTION	BY	DATE	CHK	DEPT	DATE	PE	REQ	DATE	ORNL	DOE	DATE
1	PER ECN # 5244	GM	04/01	MJC			DEW					
0	ORIGINAL ISSUE	GM	02/01									

REV	DESCRIPTION	BY	DATE	CHK	DEPT	DATE	PE	REQ	DATE	ORNL	DOE	DATE
1	PER ECN # 5244	GM	04/01	MJC			DEW					
0	ORIGINAL ISSUE	GM	02/01									

REV	DESCRIPTION	BY	DATE	CHK	DEPT	DATE	PE	REQ	DATE	ORNL	DOE	DATE
1	PER ECN # 5244	GM	04/01	MJC			DEW					
0	ORIGINAL ISSUE	GM	02/01									

REV	DESCRIPTION	BY	DATE	CHK	DEPT	DATE	PE	REQ	DATE	ORNL	DOE	DATE
1	PER ECN # 5244	GM	04/01	MJC			DEW					
0	ORIGINAL ISSUE	GM	02/01									

REV	DESCRIPTION	BY	DATE	CHK	DEPT	DATE	PE	REQ	DATE	ORNL	DOE	DATE
1	PER ECN # 5244	GM	04/01	MJC			DEW					
0	ORIGINAL ISSUE	GM	02/01									

REV	DESCRIPTION	BY	DATE	CHK	DEPT	DATE	PE	REQ	DATE	ORNL	DOE	DATE
1	PER ECN # 5244	GM	04/01	MJC			DEW					
0	ORIGINAL ISSUE	GM	02/01									

REV	DESCRIPTION	BY	DATE	CHK	DEPT	DATE	PE	REQ	DATE	ORNL	DOE	DATE
1	PER ECN # 5244	GM	04/01	MJC			DEW					
0	ORIGINAL ISSUE	GM	02/01									

REV	DESCRIPTION	BY	DATE	CHK	DEPT	DATE	PE	REQ	DATE	ORNL	DOE	DATE
1	PER ECN # 5244	GM	04/01	MJC			DEW					
0	ORIGINAL ISSUE	GM	02/01									

REV	DESCRIPTION	BY	DATE	CHK	DEPT	DATE	PE	REQ	DATE	ORNL	DOE	DATE
1	PER ECN # 5244	GM	04/01	MJC			DEW					
0	ORIGINAL ISSUE	GM	02/01									

REV	DESCRIPTION	BY	DATE	CHK	DEPT	DATE	PE	REQ	DATE	ORNL	DOE	DATE
1	PER ECN # 5244	GM	04/01	MJC			DEW					
0	ORIGINAL ISSUE	GM	02/01									

REV	DESCRIPTION	BY	DATE	CHK	DEPT	DATE	PE	REQ	DATE	ORNL	DOE	DATE
1	PER ECN # 5244	GM	04/01	MJC			DEW					
0	ORIGINAL ISSUE	GM	02/01									

REV	DESCRIPTION	BY	DATE	CHK</
-----	-------------	----	------	-------