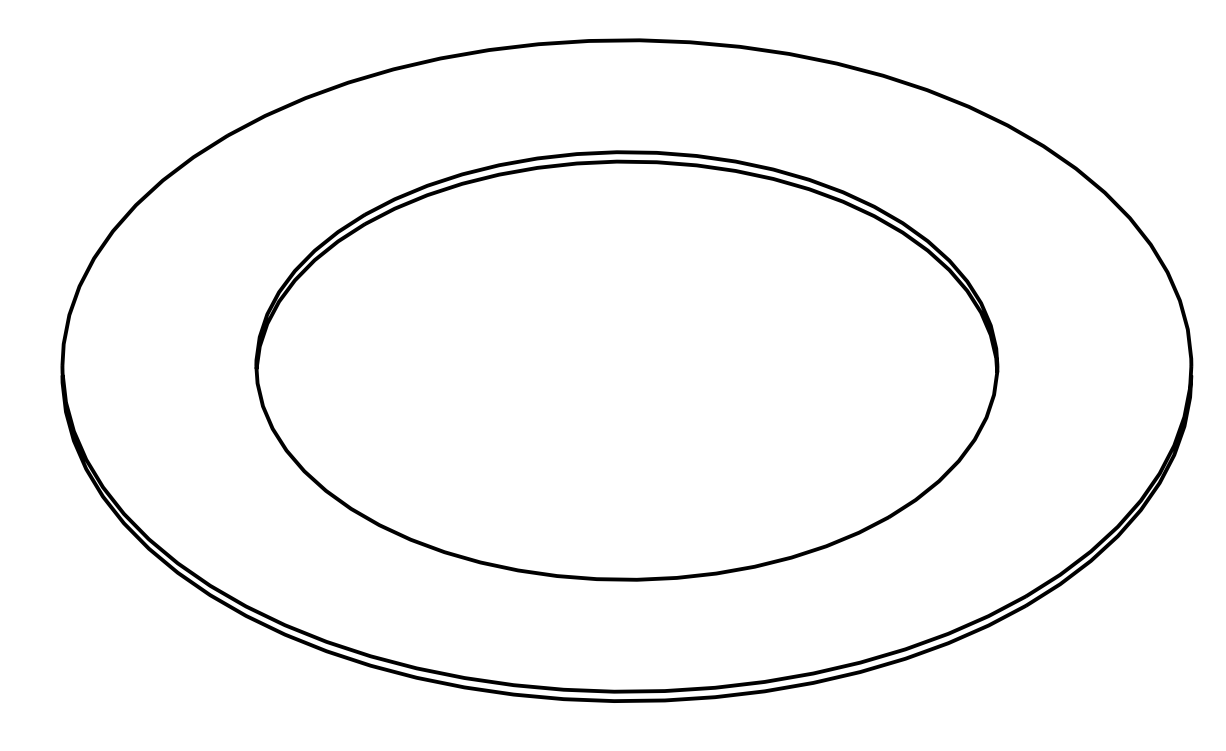
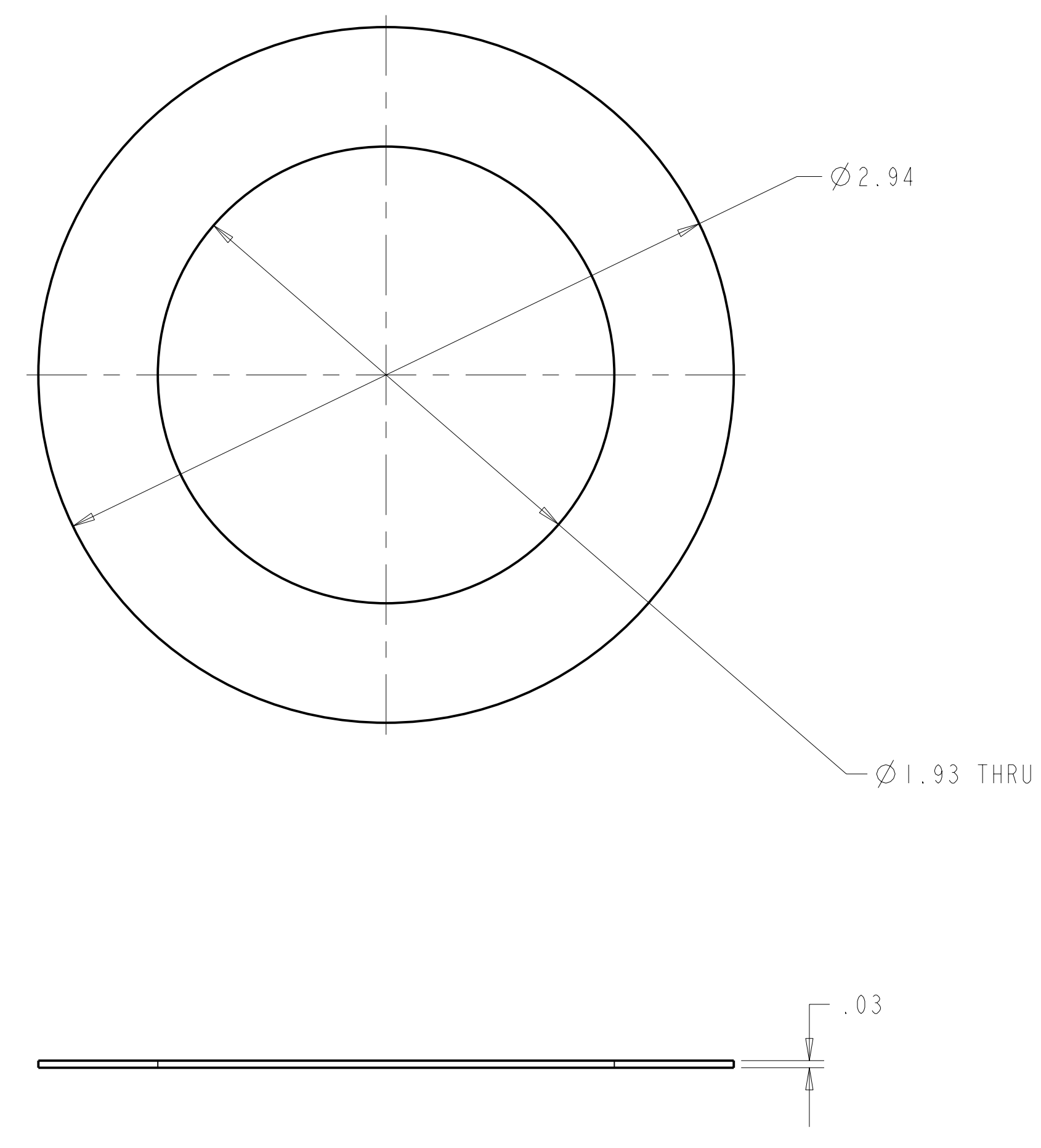


- NOTES
1. DRAWING PREPARED IN ACCORDANCE WITH ASME Y14.100-2004.
  2. INTERPRET DIMENSIONS AND TOLERANCES PER ASME Y14.5M-1994.
  3. DIMENSIONS ARE IN INCHES



ISOMETRIC VIEW  
SCALE 2.00

-1 INSULATING WASHER  
SCALE 2.000

**RELEASED FOR  
FABRICATION / INSTALLATION**  
PPPL Drafting:

AR	AR	AR	AR	-1	INSULATING WASHER	NEMA GRADE G-11CR	I
SE100-001	SE100-002	SE140-003	SE140-100	CAGE CODE	PART OR IDENTIFYING NO	NOMENCLATURE OR DESCRIPTION	MATERIAL / SPECIFICATION
							IND NO
							← NEXT ASSEMBLY
							PARTS LIST

NO REPRESENTATION OR WARRANTY, EXPRESSED OR IMPLIED, IS MADE AS TO THE ACCURACY, COMPLETENESS OR USEFULNESS OF THE INFORMATION OR STATEMENTS CONTAINED IN THESE DRAWINGS, OR THAT THE USE OR DISCLOSURE OF ANY INFORMATION, APPARATUS, METHOD OR PROCESS DISCLOSED IN THESE DRAWINGS MAY NOT INFRINGE PRIVATE RIGHTS OF OTHERS. NO LIABILITY IS ASSUMED WITH RESPECT TO THE USE OF, OR FOR DAMAGES RESULTING FROM THE USE OF, ANY INFORMATION, APPARATUS, METHOD OR PROCESS DISCLOSED IN THESE DRAWINGS. DRAWINGS MADE AVAILABLE FOR INFORMATION TO BIDDER ARE NOT TO BE USED FOR OTHER PURPOSES, AND ARE TO BE RETURNED UPON REQUEST OF THE FORWARDING CONTRACTOR.

**P** THIS DRAWING PRODUCED ON PRO-ENGINEER

DES	D WILLIAMSON	02/07
DRW	G MCGINNIS	02/07
CHK	M COLE	02/07
SECT	:	:
DEPT	:	:
PE	:	:
CR	:	:
PJ	:	:
REO	:	:
PPPL DRFT	J SIEGEL	02/07
FINISH	:	:

SCALE NOTED		TOLERANCES UNLESS OTHERWISE SPECIFIED		FRACTIONS ±.01		XX DECIMALS ±.005		ANGLES ±0°15'		BREAK SHARP EDGES OR MAX		FINISH .125 UNLESS OTHERWISE SPECIFIED		
VERSION NO.	0	PLANT	ORNL	BLDG	5700	FL	3	SHT	1	OF	1	TYPE	CLASS	
RELEASE LEVEL	WIP	SE140-192		INSULATING WASHER		NATIONAL COMPACT STELLARATOR EXPERIMENT		UT-BATTELLE		Oak Ridge National Laboratory managed for the DEPARTMENT OF ENERGY under U.S. GOVERNMENT contract DE-AC05-00OR22725 UT-BATTELLE, LLC. Oak Ridge, Tennessee		PROJECT NAME		
REV	1	DESCRIPTION	BY	DATE	CHK	DEPT	DATE	PE	REQ	DATE	ORNL	DOE	DATE	
REVISION OR ISSUE PURPOSE													REV	1