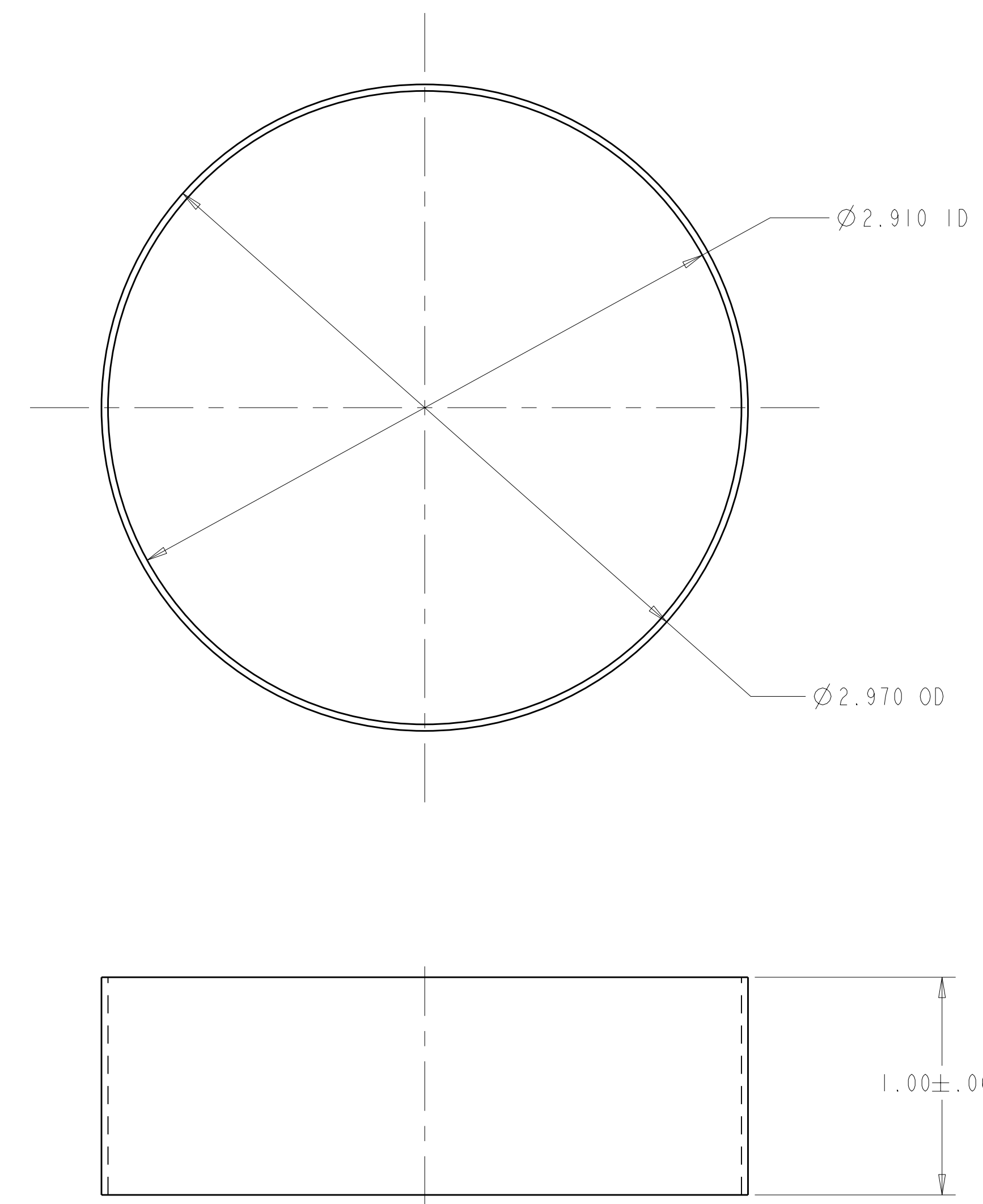
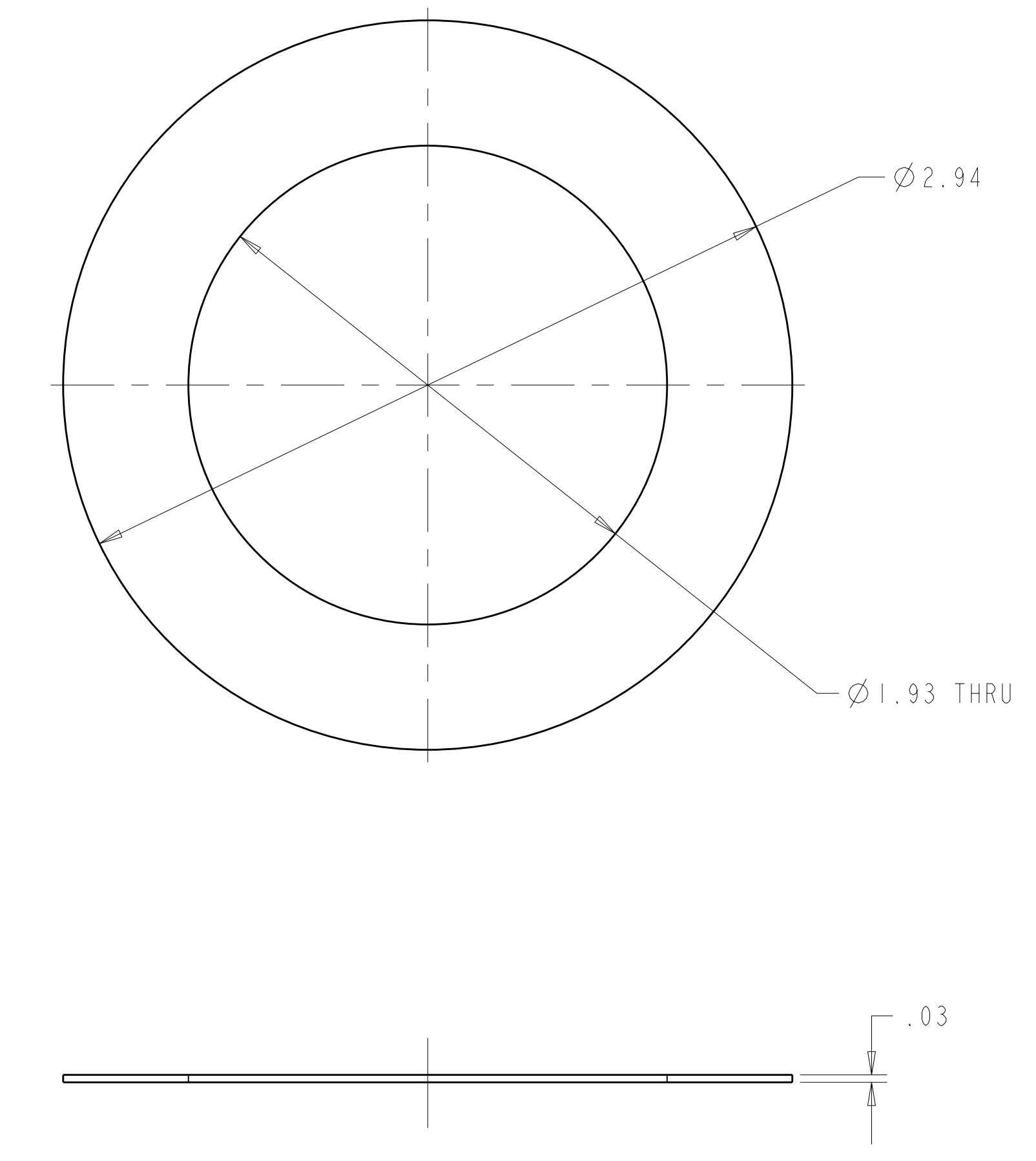


NOTES
 1. DRAWING PREPARED IN ACCORDANCE WITH ASME Y14.100-2004.
 2. INTERPRET DIMENSIONS AND TOLERANCES PER ASME Y14.5M-1994.
 3. DIMENSIONS ARE IN INCHES



-2 INSULATING SLEEVE
 SCALE 2.00



-1 INSULATING WASHER
 SCALE 2.00

| REV | DESCRIPTION | BY | DATE | CHK | DEPT | DATE | PE | REQ | DATE | ORNL | DOE | DATE | CAGE CODE | PART OR IDENTIFYING NO | NOMENCLATURE OR DESCRIPTION | MATERIAL / SPECIFICATION | FIND NO |
|-----|--------------------------|----|-------|-----|------|-------|----|-----|------|------|-----|------|-----------|------------------------|-----------------------------|-------------------------------------------------------------------------------|---------|
| 2 | ADDED F/N 2 - ECN# 5244 | GM | 07/07 | MC | | 07/07 | | | | | | | SE140-001 | -2 | SLEEVE | NEMA GRADE G-10CR 3.00 OD X 2.875 ID TUBE | 2 |
| 1 | REVISED MAT PER ECN-5232 | DW | 3/07 | MC | | | | | | | | | SE140-002 | -1 | WASHER | NEMA GRADE G-10CR | 1 |
| 0 | ORIGINAL ISSUE | GM | 02/07 | | | | | | | | | | SE140-190 | | | K-MAC PLASTICS WYOMING, MI 49548 616-406-0671 WWW.K-MAC-PLASTICS.NET | |

RELEASED FOR FABRICATION / INSTALLATION
 PPPL Drafting:

NO REPRESENTATION OR WARRANTY, EXPRESSED OR IMPLIED, IS MADE AS TO THE ACCURACY, COMPLETENESS OR USEFULNESS OF THE INFORMATION OR STATEMENTS CONTAINED IN THESE DRAWINGS, OR THAT THE USE OR DISCLOSURE OF ANY INFORMATION, APPARATUS, METHOD OR PROCESS DISCLOSED IN THESE DRAWINGS MAY NOT INFRINGE PRIVATE RIGHTS OF OTHERS. NO LIABILITY IS ASSUMED WITH RESPECT TO THE USE OF, OR FOR DAMAGES RESULTING FROM THE USE OF, ANY INFORMATION, APPARATUS, METHOD OR PROCESS DISCLOSED IN THESE DRAWINGS. DRAWINGS MADE AVAILABLE FOR INFORMATION TO BIDDER ARE NOT TO BE USED FOR OTHER PURPOSES, AND ARE TO BE RETURNED UPON REQUEST OF THE FORWARDING CONTRACTOR.

P THIS DRAWING PRODUCED ON PRO-ENGINEER

| | | | | | | | | | | | | | |
|---------------------------------------------------------------------------------------------------------------------------------------------------------------------------------------------------------|--|--|--|--|--|--|--|--|--|----------------------------------------------------------------------|--|--------------------------------------------------------------------------------------------------------------------------------------------------------------------------------------|--|
| SCALE NOTED TOLERANCES UNLESS OTHERWISE SPECIFIED FRACTIONS 1/16 XX DECIMALS ±.01 XXX DECIMALS ±.005 ANGLES ±0°15' BREAK SHARP EDGES OR MAX FINISH .125 UNLESS OTHERWISE SPECIFIED | | | | | | | | | | DES D WILLIAMSON 02/07 DRW G MCGINNIS 02/07 CHK M COLE 02/07 | | Oak Ridge National Laboratory managed for the DEPARTMENT OF ENERGY under U.S. GOVERNMENT CONTRACT DE-AC05-00OR22725 UT-BATTELLE, LLC. Oak Ridge, Tennessee PROJECT NAME: | |
| 2 ADDED F/N 2 - ECN# 5244 GM 07/07 MC 07/07 1 REVISED MAT PER ECN-5232 DW 3/07 MC 0 ORIGINAL ISSUE GM 02/07 | | | | | | | | | | UT-BATTELLE NATIONAL COMPACT STELLARATOR EXPERIMENT | | INSULATING WASHER AND SLEEVE | |
| REV DESCRIPTION BY DATE CHK DEPT DATE PE REQ DATE ORNL DOE DATE | | | | | | | | | | PPPL DRFT J SIEGEL 02/07 DRAWING APPROVALS DATE | | VERSION NO. 6 PLANT ORNL BLDG 5700 FL 3 SHOT 1 TYPE I CLASS U RELEASE LEVEL Fabrication SE140-192 REV 2 | |