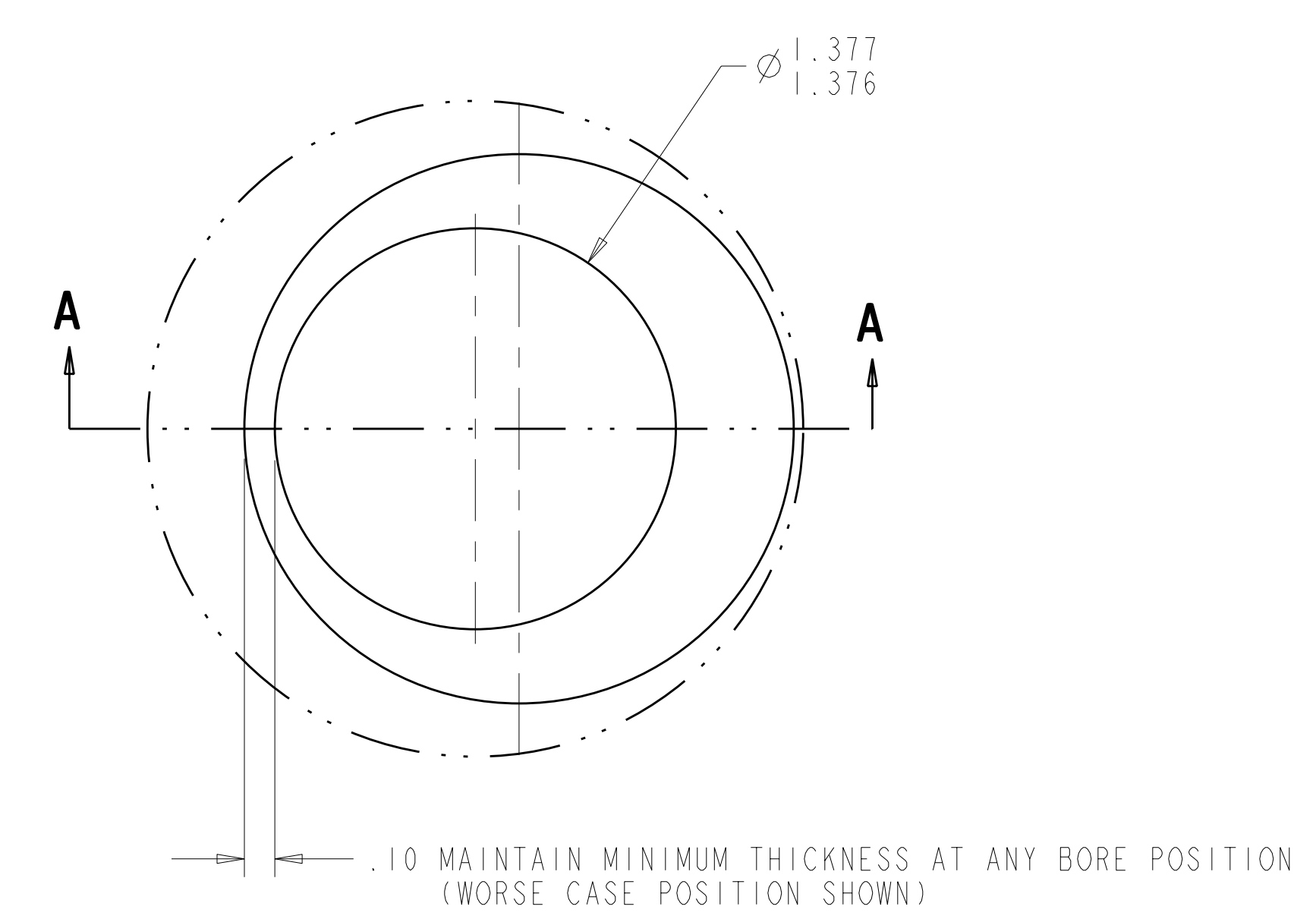
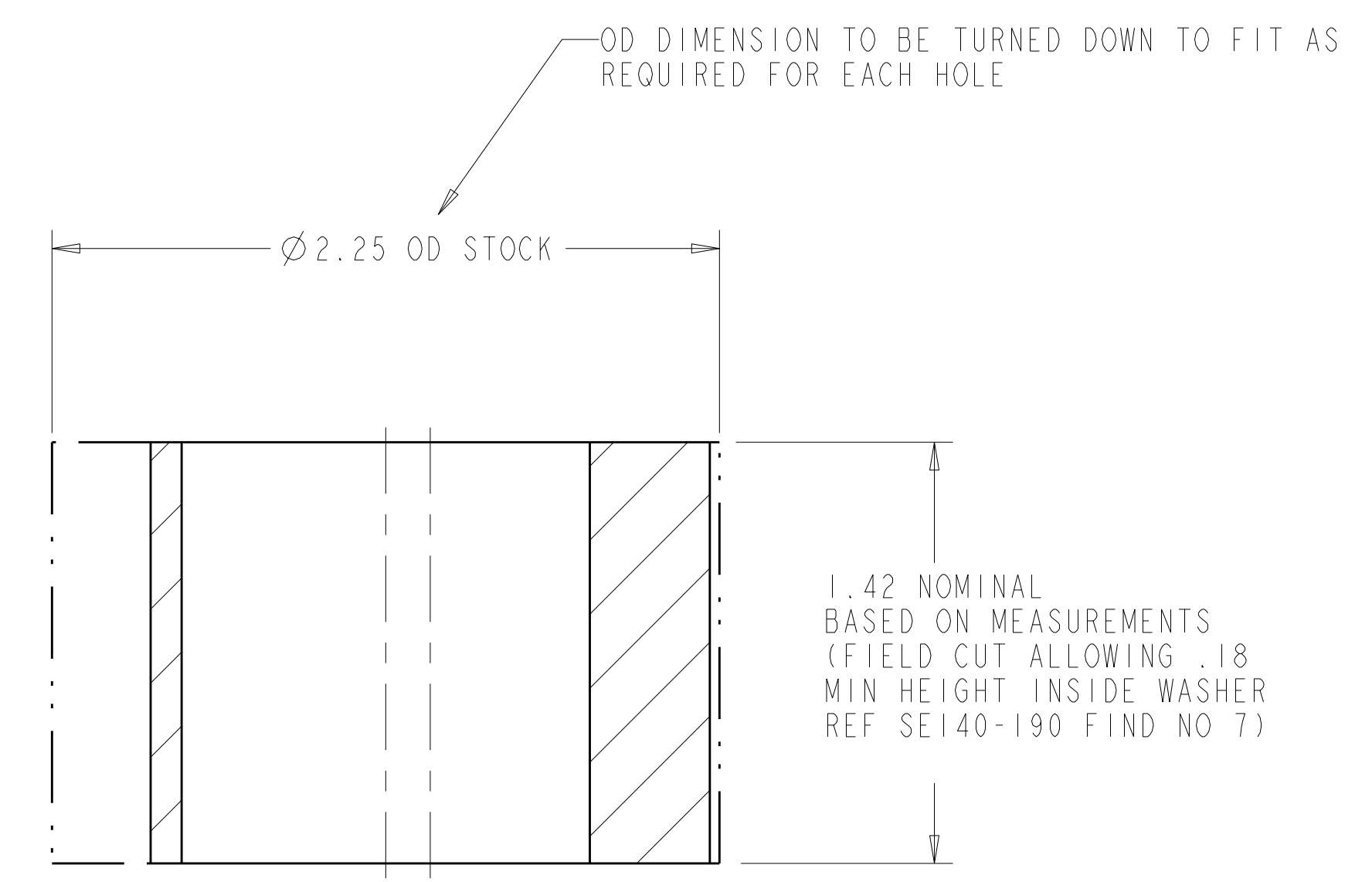


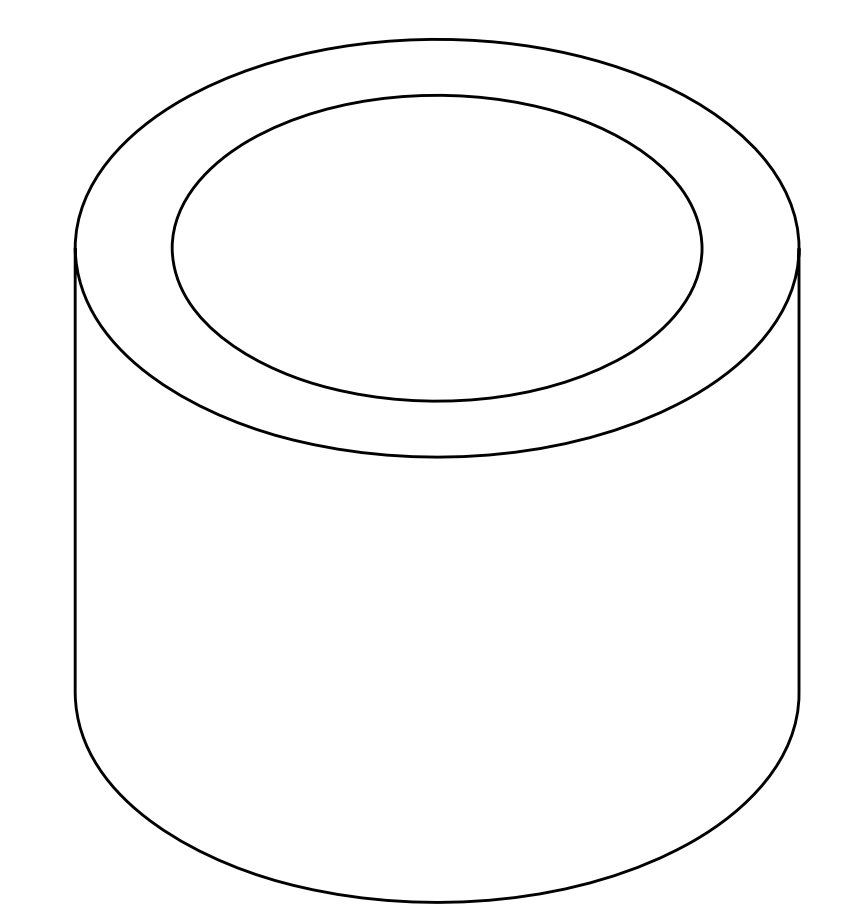
- NOTES
1. DRAWING PREPARED IN ACCORDANCE WITH ASME Y14.100-2004.
 2. INTERPRET DIMENSIONS AND TOLERANCES PER ASME Y14.5M-1994.
 3. DIMENSIONS ARE IN INCHES



.10 MAINTAIN MINIMUM THICKNESS AT ANY BORE POSITION (WORSE CASE POSITION SHOWN)



SECTION A-A



ISOMETRIC VIEW
SCALE 2.00

-1 BUSHING
SCALE 2.00

REV	DESCRIPTION	BY	DATE	CHK	DEPT	DATE	PE	REQ	DATE	ORNL	DOE	DATE
0	ORIGINAL ISSUE	GM	07/07	MC		07/07	DW		07/07			

SEI	AR	AR	AR	AR	CAGE CODE	PART OR IDENTIFYING NO	NOMENCLATURE OR DESCRIPTION	MATERIAL	SPECIFICATION	FIND NO
SEI100-001	AR	AR	AR	AR		-1	BUSHING	NEMA GRADE G-10CR Ø 2.25 OD ROD	K-MAC PLASTICS WYOMING, MI 49548 616-406-0671 WWW.K-MAC-PLASTICS.NET	1

RELEASED FOR
FABRICATION / INSTALLATION
PPPL Drafting:

NO REPRESENTATION OR WARRANTY, EXPRESSED OR IMPLIED, IS MADE AS TO THE ACCURACY, COMPLETENESS OR USEFULNESS OF THE INFORMATION OR STATEMENTS CONTAINED IN THESE DRAWINGS, OR THAT THE USE OR DISCLOSURE OF ANY INFORMATION, APPARATUS, METHOD OR PROCESS DISCLOSED IN THESE DRAWINGS MAY NOT INFRINGE PRIVATE RIGHTS OF OTHERS. NO LIABILITY IS ASSUMED WITH RESPECT TO THE USE OF, OR FOR DAMAGES RESULTING FROM THE USE OF, ANY INFORMATION, APPARATUS, METHOD OR PROCESS DISCLOSED IN THESE DRAWINGS. DRAWINGS MADE AVAILABLE FOR INFORMATION TO BIDDER ARE NOT TO BE USED FOR OTHER PURPOSES, AND ARE TO BE RETURNED UPON REQUEST OF THE FORWARDING CONTRACTOR.

P THIS DRAWING PRODUCED ON PRO-ENGINEER

REV	DESCRIPTION	BY	DATE	CHK	DEPT	DATE	PE	REQ	DATE	ORNL	DOE	DATE
0	ORIGINAL ISSUE	GM	07/07	MC		07/07	DW		07/07			

SCALE	NOTED	DES	DATE	DRW	DATE	CHK	DATE	SECT	DEPT	PE	DATE	CR	DATE	PJ	DATE	REO	DATE	FINISH
		D WILLIAMSON	07/07	G MCGINNIS	07/07	M COLE												

PPPL	DRFT	J SIEGEL	DATE	VERSION NO.	PLANT	BLDG	FL	SHT	OF	TYPE	CLASS
				7	ORNL	5700	3	1	1	S	U

RELEASE LEVEL	SEI	REV
Fabrication	SEI40-195	0

SEI40-195

A